

Yantel Manually Variable Attenuator for Network, Handset and Antenna Testing Systems

- Application:**
1. Simulation Testing Systems of mobile phones and other handsets.
 2. Environmental Testing Systems for Mobile Communication and Wireless network Carriers
 3. Antenna Simulation Testing Systems to improve antenna efficiency, TRP, TIS and diversity gain.

Yantel Rotary/ Switch Variable Attenuator

China Patent NO. : ZL 2008 1 0144258.3

USA Patent NO. : US 8,476,544 B2

Japan Patent NO. : 特愿 2011-524168

Taiwan Patent NO.: 發明第 I 393347 號



VAB1101SS*
 Frequency: DC – 2.7 GHz
 Power Rating: 2W or 5W
 Attenuation: 0 – 11 dB
 Step Value: 1 dB
 Insertion loss: <0.4 dB
 Attenuation Accuracy: ±0.5dB
 VSWR: ≤1.3
 Size: 38.2*38.2*32.4mm
 Mass production has been arranged;
 40%-50% price lower than other
 manufacturers'.



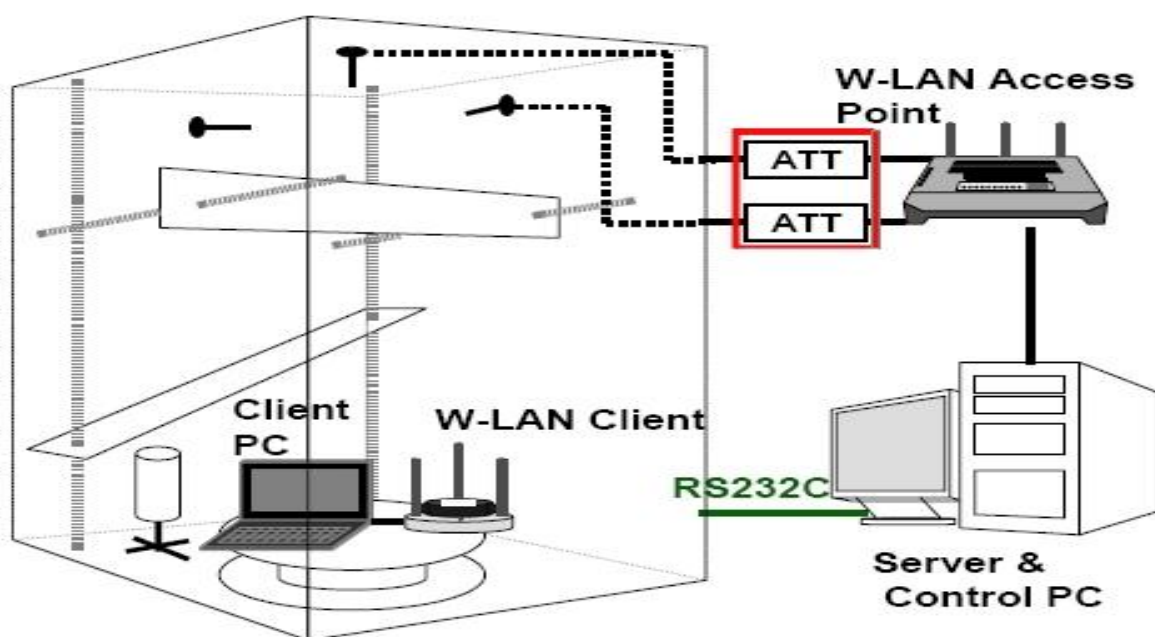
VAB3101SS*
 Frequency: DC – 2.7 GHz
 Power Rating: 2W or 5W
 Attenuation: 0 – 31 dB
 Step Value: 1 dB
 Insertion loss: <0.65 dB
 Attenuation Accuracy: ±0.6dB
 VSWR: ≤1.3
 Size: 32*34*57.2mm
 Mass production has been arranged;
 40%-50% price lower than other
 manufacturers'.

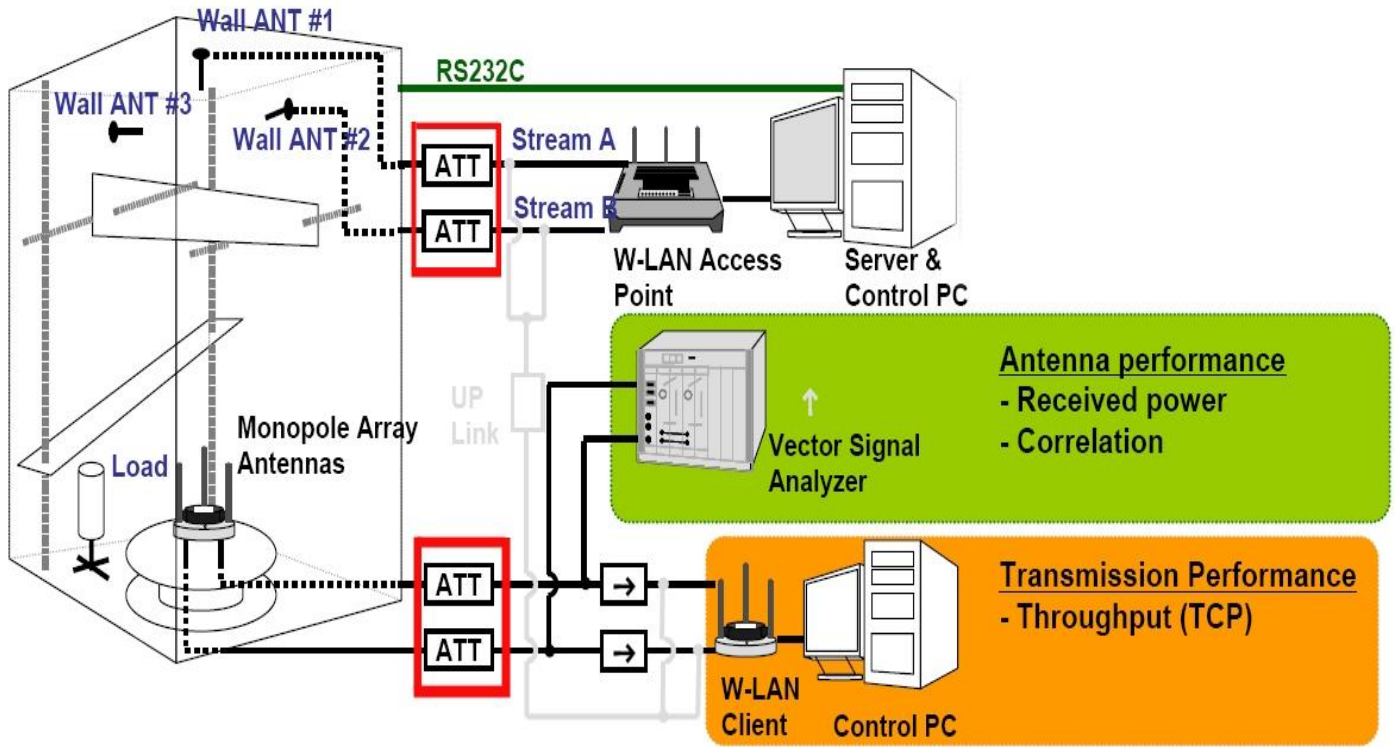


VAB3101SF*
 Frequency: DC – 2.7 GHz
 Power Rating: 2W or 5W
 Attenuation: 0 – 31 dB
 Step Value: 1 dB
 Insertion loss: <0.5 dB
 Attenuation Accuracy: ±0.6dB
 VSWR: ≤1.25
 Size: 32*39*80mm
 Mass production has been arranged;
 40%-50% price lower than other
 manufacturers'.



VAS061501SA*/VAS063501SA*
 Frequency: DC – 4 GHz
 Power Rating: 2W or 5W
 Attenuation: 0 – 15,35 dB
 Step Value: 1 dB
 Insertion loss: <1 dB
 Attenuation Accuracy: ±1dB
 VSWR: ≤1.35
 Size: 23*65.5*10.5mm
 Mass production has been arranged;
 40%-50% price lower than other
 manufacturers'.





Cost Advantage:

- Yantel manually step variable attenuators are 40% lower than that of competitors'

Performance Advantage:

- Small IL, excellent attenuation accuracy
- Good VSWR
- long life cycle,
- Low PIM
- High Consistency for Mass Production