

# Data Sheet

## PD4350U03W

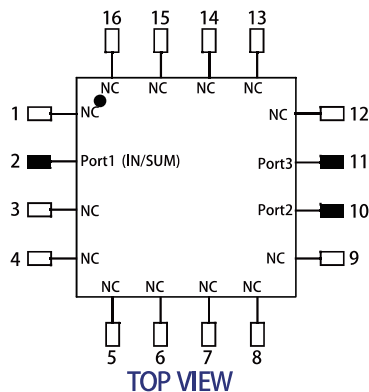
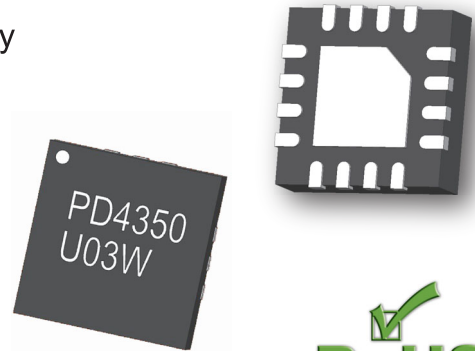
Power Divider/Combiner

2-Way 0° 50Ω 2700-6000 MHz



### Features

- Small Size (3×3mm QFN package)
- Passive RF IC, no need external DC power supply
- No need external 100 Ω resistor
- Very Low Loss
- Tight Amplitude Balance
- High Isolation
- Low VSWR
- Good Repeatability
- Tape & Reel
- Operating Temperature -40°C~85°C
- Power handling
  - 2 Watts as a divider
  - 0.5 Watts as a combiner

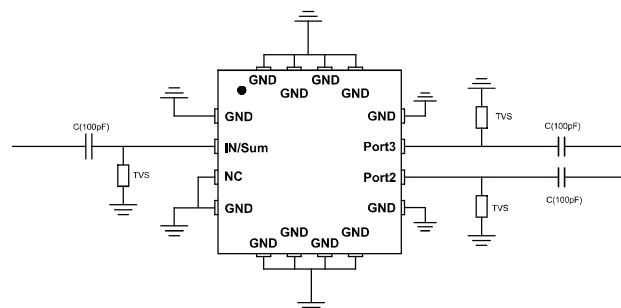


### Applications

- Wireless communications
- WLAN / WiMax
- SAT Radio
- ISM band instrument
- Information System for Automotive Safety

#### Notes:

1. This part has passed through 100% RF test.
2. Suggest to add Capacitors of DC Blocker between Pins (with black color) and external circuit to prevent DC signal entry to guarantee parts normal work.
3. Suggest to add a TVS Diode in parallel between Electrode (with black color) and Capacitor of DC Blocker to provide ESD protection for the product. TVS Diode use ON Semiconductor's ESD9101 is recommended.



#### ESD Rating

Human Body Model (HBM): ≤ 450V in accordance with ANSI/ESD STM 5.1 - 2001

Machine Model (MM): ≤ 100V in accordance with ANSI/ESD STM 5.2 - 1999

### Yantel Corporation

A1.0

Add: No.308-322, 3F, Building 1, Juchuang Jingu Innovation Park, Wenyuan Road 35, Xili Street, Nanshan, Shenzhen, China

Tel: 86-755-8355-1886 Fax: 86-755-8355-2533

For detailed performance specs & shopping online see Yantel web site : [www.yantel-corp.com](http://www.yantel-corp.com)

# Data Sheet

## PD4350U03W

Power Divider/Combiner

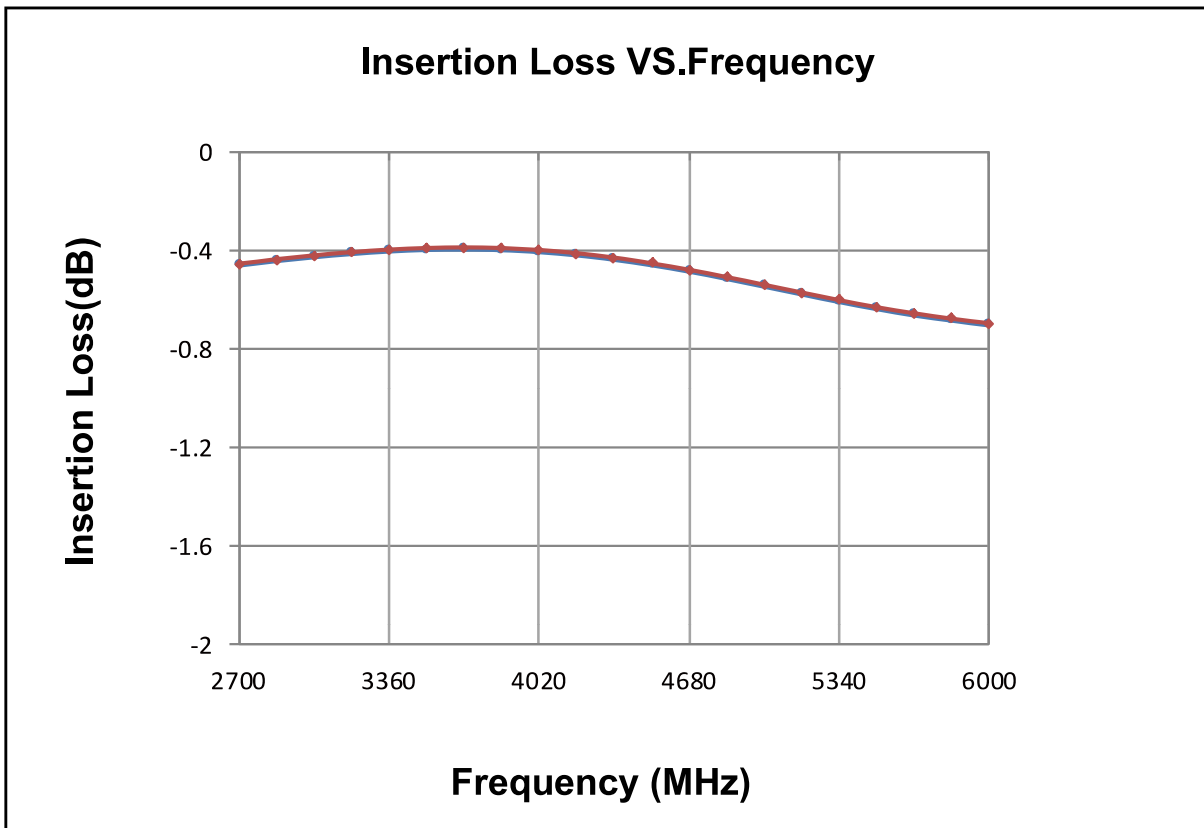
2-Way 0° 50Ω 2700-6000 MHz



### Electrical Specifications at 25° C

Parameter	Symbol	Min	Typ	Max	Unit
Frequency Range	F	2700		6000	MHz
Insertion Loss (Above 3dB)	$I_L$		0.7	2	dB
Isolation	Isol	15	32.5		dB
Phase balance	$\varnothing_{bal}$		0.01	0.23	deg
Amplitude balance	$A_{bal}$		0.02	0.30	dB
IRL(S11)			-20.0	-10.0	dB
ORL(S22/S33)			-27.0	-10.0	dB

### Typical Performance ( 25°C, : 2700-6000 MHz)



### Yantel Corporation

A1.0

Add: No.308-322, 3F, Building 1, Juchuang Jingu Innovation Park, Wenyuan Road 35, Xili Street, Nanshan, Shenzhen, China

Tel: 86-755-8355-1886 Fax: 86-755-8355-2533

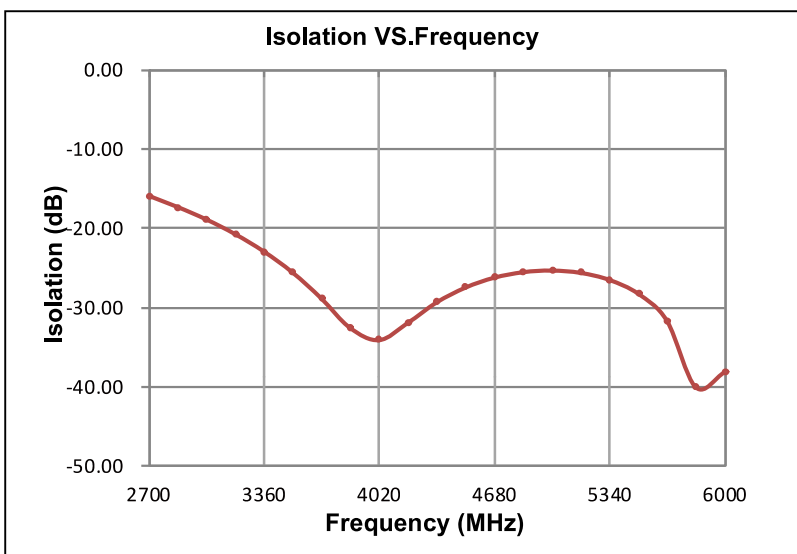
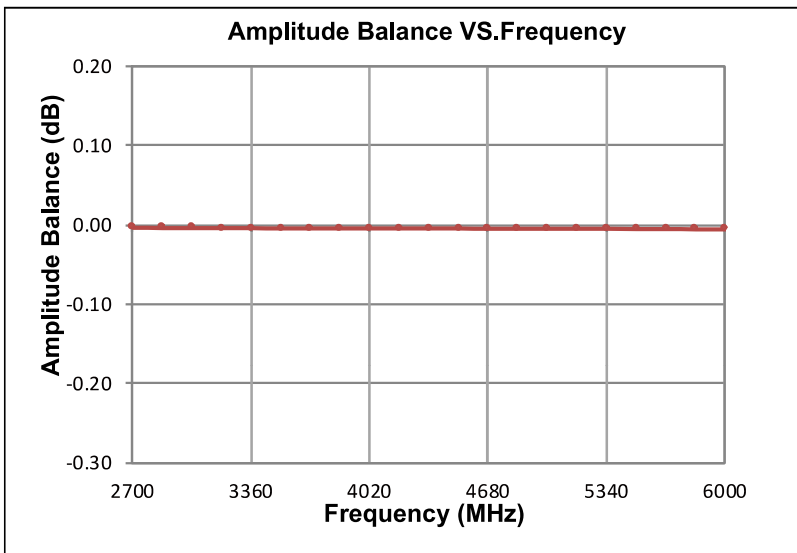
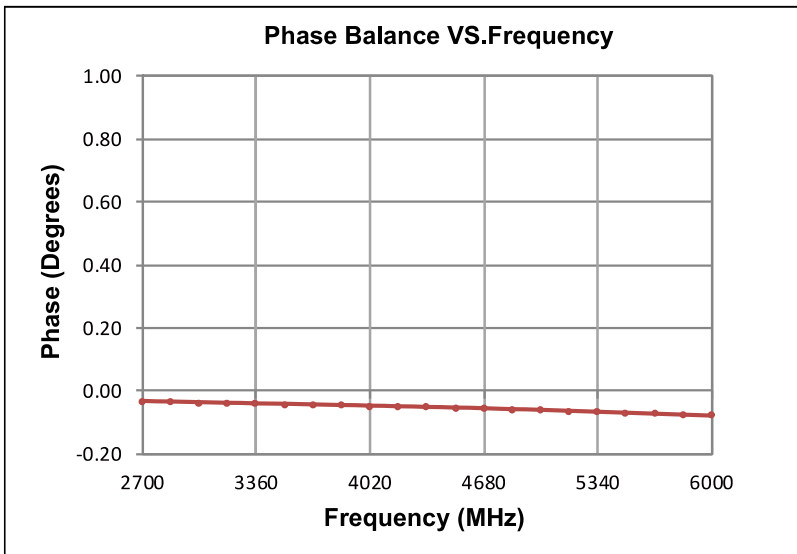
For detailed performance specs & shopping online see Yantel web site : [www.yantel-corp.com](http://www.yantel-corp.com)

# Data Sheet

## PD4350U03W

Power Divider/Combiner

2-Way 0° 50Ω 2700-6000 MHz



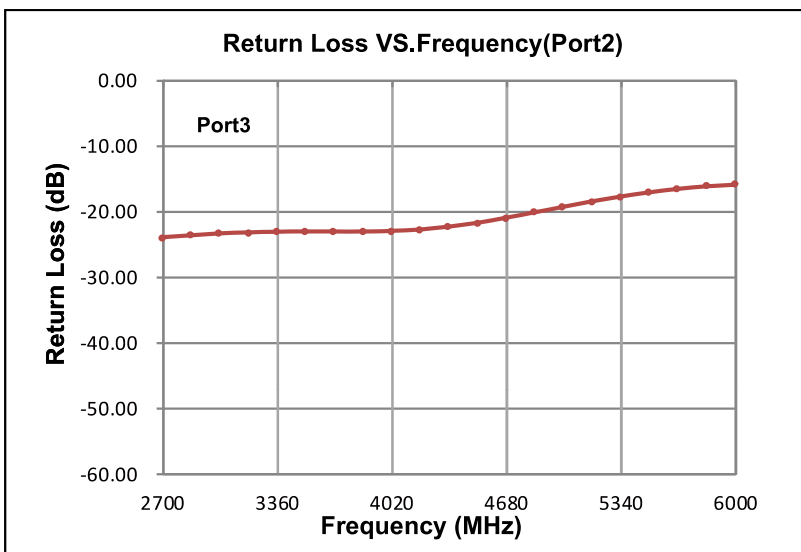
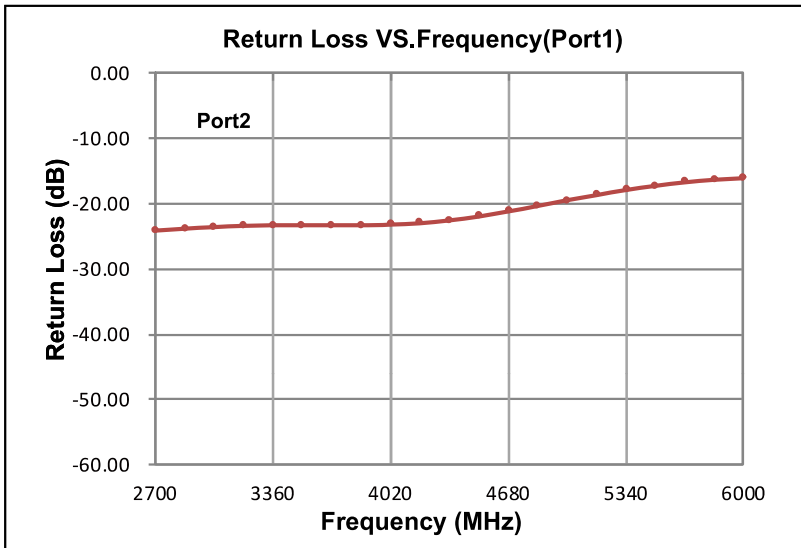
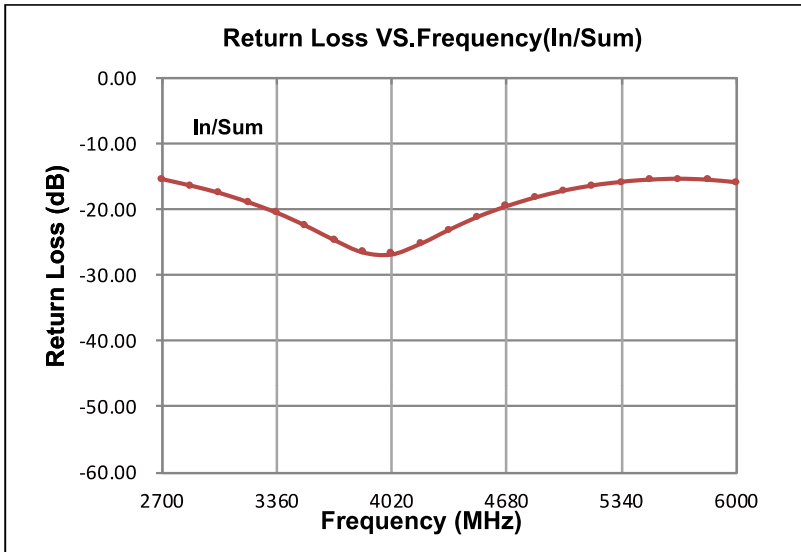
### Yantel Corporation

# Data Sheet

## PD4350U03W

Power Divider/Combiner

2-Way 0° 50Ω 2700-6000 MHz



### Yantel Corporation

A1.0

Add: No.308-322, 3F, Building 1, Juchuang Jingu Innovation Park, Wenyuan Road 35, Xili Street, Nanshan, Shenzhen, China

Tel: 86-755-8355-1886 Fax: 86-755-8355-2533

For detailed performance specs & shopping online see Yantel web site : [www.yantel-corp.com](http://www.yantel-corp.com)

# Data Sheet

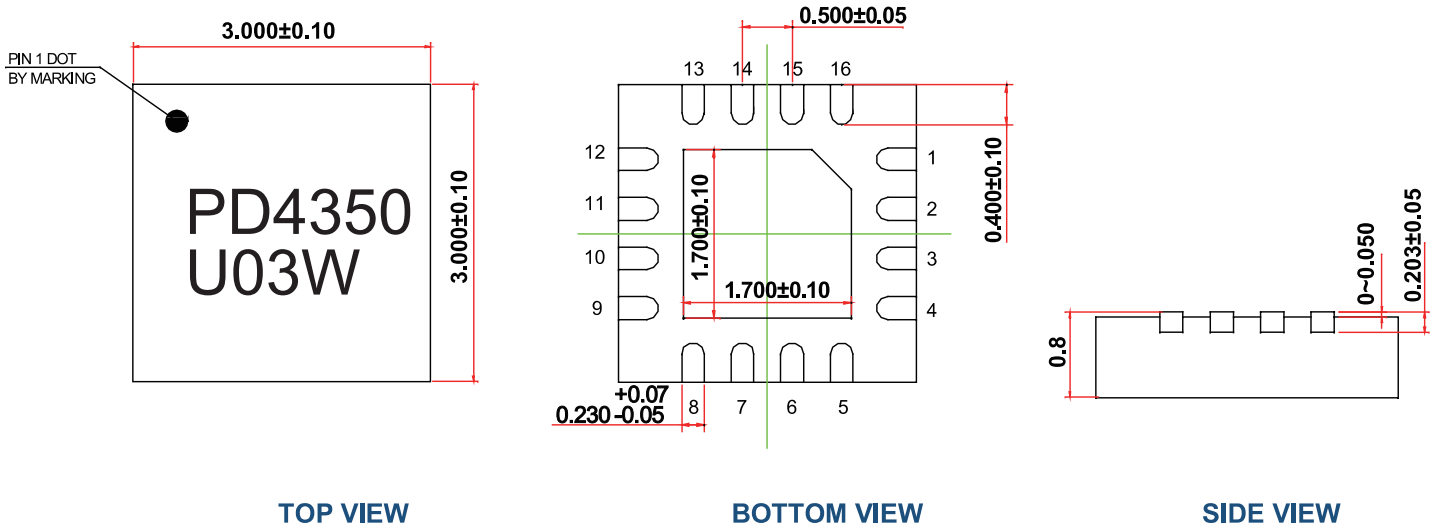
## PD4350U03W

Power Divider/Combiner

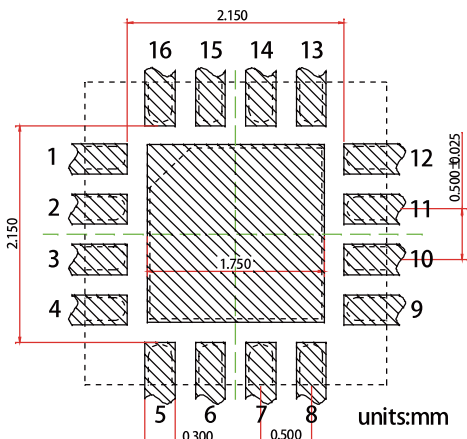
2-Way 0° 50Ω 2700-6000 MHz



### Outline Drawing



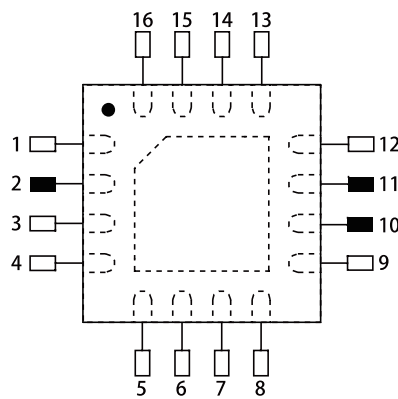
### Land Pattern



Recommended Land Pattern  
Top View

Notes: All dimensions show in millimeters

### Pin Out



TOP VIEW

Notes:

1. Require to add Capacitors of DC Blocker between Pins (with black color) and external circuit to prevent DC signal entry to gurante -eparts normal work.
2. This part has passed through 100% RF test.

Pin #	Connection
1	NC
2	PORT 1 (IN/SUM)
3	NC
4	NC
5	NC
6	NC
7	NC
8	NC
9	NC
10	PORT 2
11	PORT 3
12	NC
13	NC
14	NC
15	NC
16	NC
Center Pad	NC

### Yantel Corporation

A1.0

Add: No.308-322, 3F, Building 1, Juchuang Jingu Innovation Park, Wenyuan Road 35, Xili Street, Nanshan, Shenzhen, China

Tel: 86-755-8355-1886 Fax: 86-755-8355-2533

For detailed performance specs & shopping online see Yantel web site : [www.yantel-corp.com](http://www.yantel-corp.com)