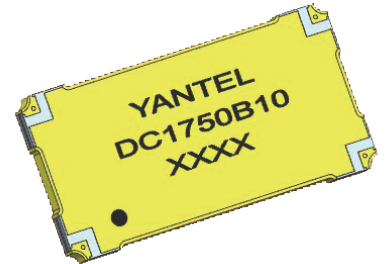


### Description

High-power broadband surface-mounted and embedded coupler series, realizing the power synthesis and distribution of microwave high-power amplifier system, signal acquisition and other functions. Used in active phased array radar, microwave transceiver components, microwave amplifiers, radio stations, satellite communications and other projects, to provide standardized and customized high-quality and reliable products.

The performance and reliability indexes are in line with international products, and the pin definition and package size are compatible with international products, realizing 100% in-situ replacement.



### Features:

- 500-3000 MHz
- low insertion loss, 0.25 dB Typ.
- excellent return loss, 24 dB Typ.
- high power, up to 100W.
- DC current pass through input to output

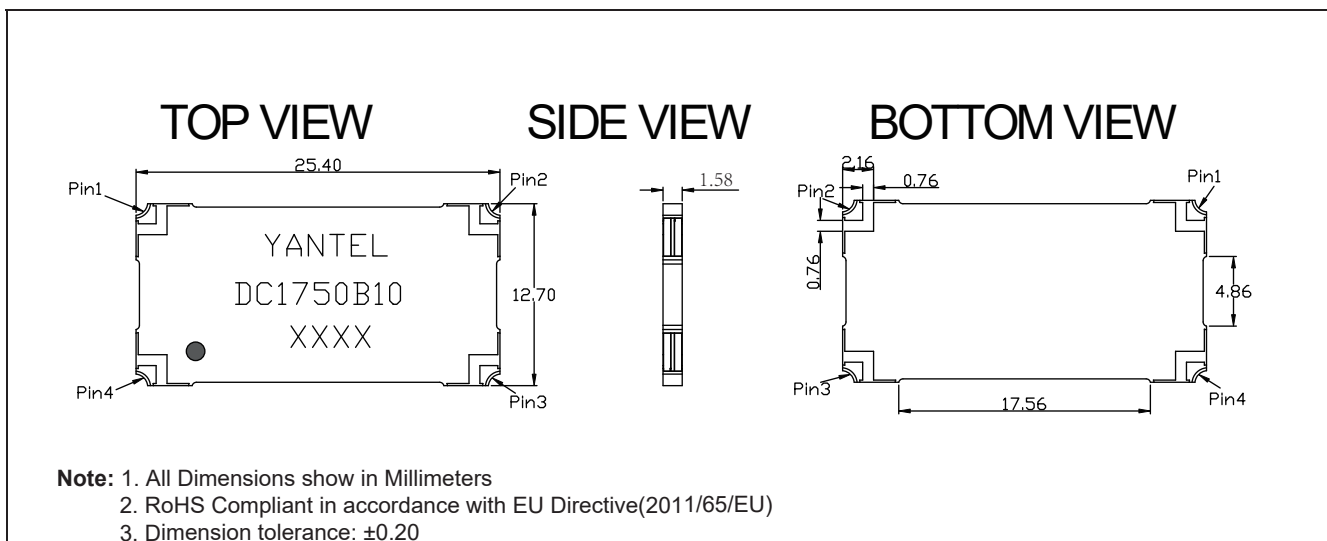
### Electrical Specifications

Frequency MHz	Coupling dB	Directivity dB Min	VSWR Max : 1
500~3000	10±1.5	20	1.27
<b>Insertion Loss</b> dB Max	<b>Power</b> Avg. CW Watts	<b>Operating Temp.</b> °C	
0.50	100	-55 to +105	

### Note:

1. All above test data resulting from specify demo board.
2. Insertion loss has removed the thru board loss.

### Mechanical Outline



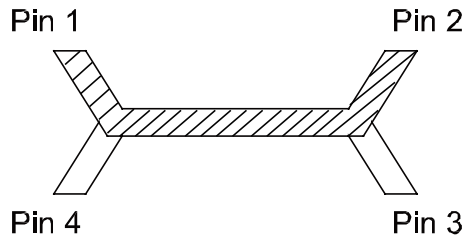
## Yantel Corporation

Add: No.308-322, 3F, Building 1, Juchuang Jingu Innovation Park, Wenyuan Road 35, Xili Street, Nanshan, Shenzhen, China  
Tel: 86-755-8355-1886 Fax: 86-755-8355-2533

For detailed performance specs & shopping online see Yantel web site : [www.yantel-corp.com](http://www.yantel-corp.com)

### Directional Coupler Pin Configuration

The DC1750B10 has an orientation marker to denote Pin 1. Once port one has been identified the other ports are known automatically. Please see the chart below for clarification:



### Port Function Configurations

Input	Output	Coupled Forward	Coupled Reverse
1	2	4	3
2	1	3	4
3	4	2	1
4	3	1	2

### Typical Performance Data (@25°C)

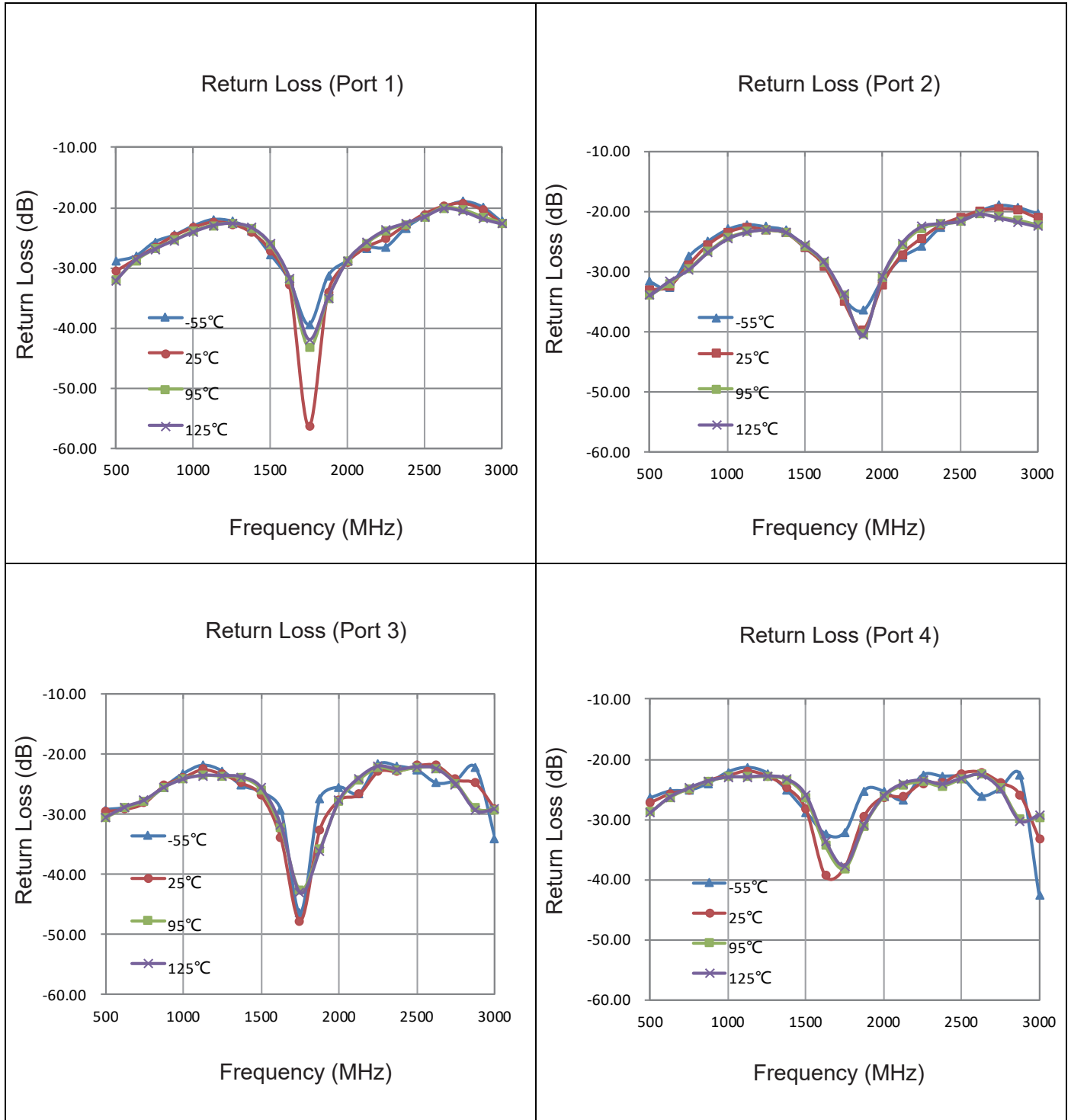
Frequency (MHz)	Coupling (dB)	Transmission (dB)	Insertion Loss (dB)	Directivity (dB)	Return Loss(dB)			
					S11	S22	S33	S44
500	-9.92	-0.55	-0.08	-24.35	-30.48	-33.12	-29.47	-27.24
625	-9.34	-0.65	-0.10	-22.65	-28.56	-32.52	-29.15	-25.80
750	-9.32	-0.67	-0.11	-21.57	-26.50	-28.93	-28.12	-25.03
875	-9.75	-0.63	-0.13	-20.59	-24.68	-25.64	-25.23	-23.54
1000	-10.43	-0.58	-0.15	-20.66	-23.30	-23.59	-23.84	-22.76
1125	-10.99	-0.54	-0.16	-21.77	-22.41	-22.74	-22.54	-22.01
1250	-10.98	-0.55	-0.17	-25.09	-22.72	-23.13	-23.30	-22.84
1375	-10.37	-0.61	-0.17	-31.43	-24.10	-23.64	-24.75	-24.70
1500	-9.55	-0.69	-0.16	-37.16	-27.07	-26.04	-26.84	-28.31
1625	-8.93	-0.80	-0.18	-31.55	-32.87	-29.08	-33.87	-39.29
1750	-8.60	-0.86	-0.18	-28.38	-56.34	-35.07	-47.75	-37.93
1875	-8.65	-0.86	-0.19	-25.96	-34.09	-39.70	-32.60	-29.50
2000	-9.07	-0.82	-0.21	-24.49	-29.09	-32.21	-27.62	-26.31
2125	-9.76	-0.75	-0.24	-23.00	-26.56	-27.28	-26.72	-26.17
2250	-10.53	-0.69	-0.26	-22.20	-25.12	-24.56	-22.88	-23.96
2375	-11.00	-0.67	-0.28	-23.03	-22.98	-22.38	-22.81	-23.93
2500	-10.90	-0.70	-0.30	-25.98	-21.04	-21.08	-21.86	-22.38
2625	-10.40	-0.79	-0.34	-34.26	-19.76	-20.01	-21.84	-22.19
2750	-9.80	-0.82	-0.31	-34.47	-19.26	-19.61	-24.20	-23.89
2875	-9.52	-0.85	-0.30	-25.72	-20.33	-19.88	-24.85	-25.83
3000	-9.76	-0.84	-0.31	-20.92	-22.56	-21.15	-29.15	-33.12

### Yantel Corporation

Add: No.308-322, 3F, Building 1, Juchuang Jingu Innovation Park, Wenyuan Road 35, Xili Street, Nanshan, Shenzhen, China

Tel: 86-755-8355-1886 Fax: 86-755-8355-2533

For detailed performance specs & shopping online see Yantel web site : [www.yantel-corp.com](http://www.yantel-corp.com)

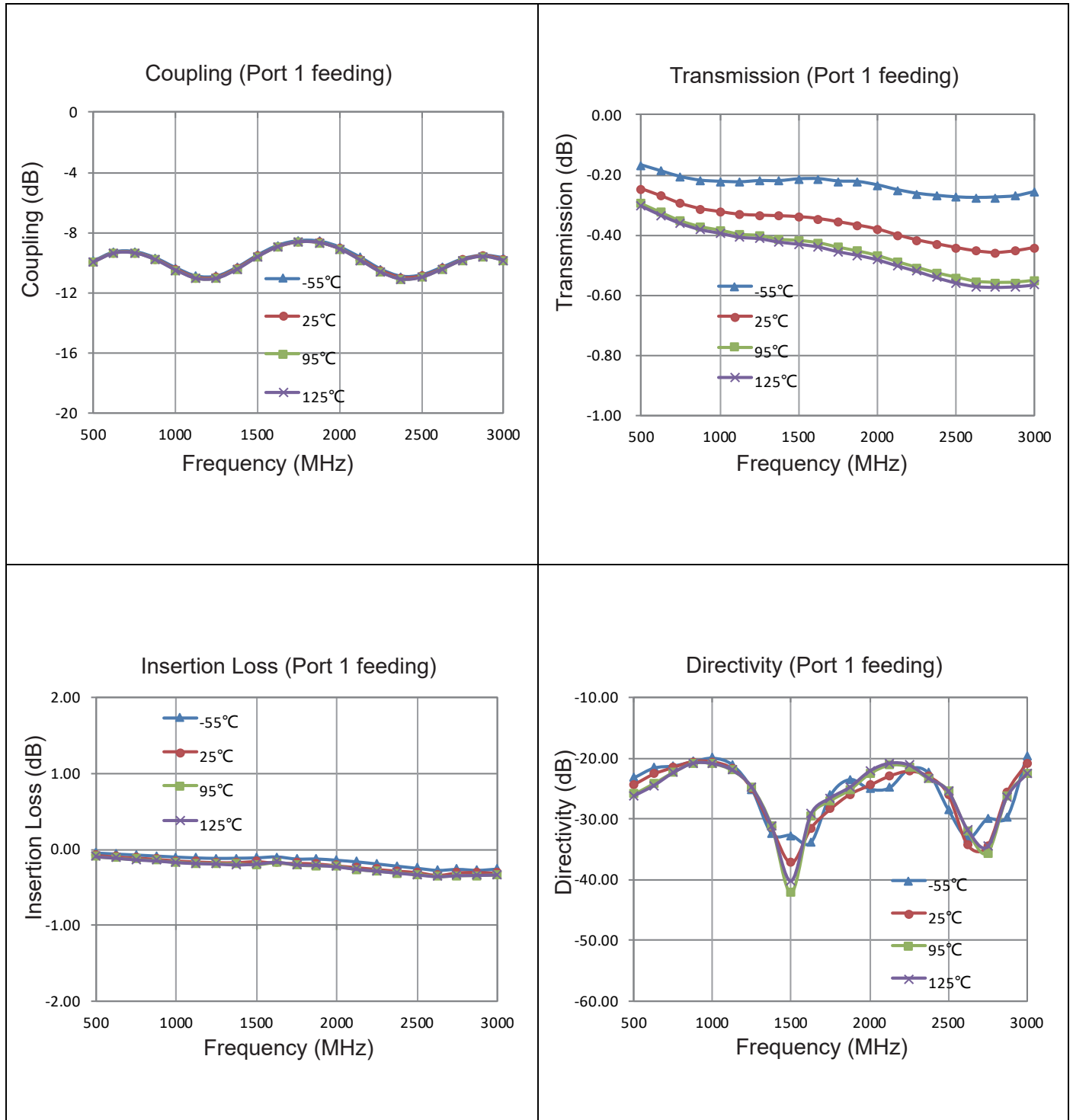
**Typical Performance (-55°C,25°C,95°C,125°C: 500-3000 MHz)**

**Yantel Corporation**

Add: No.308-322, 3F, Building 1, Juchuang Jingu Innovation Park, Wenyuan Road 35, Xili Street, Nanshan, Shenzhen, China

Tel: 86-755-8355-1886 Fax: 86-755-8355-2533

 For detailed performance specs & shopping online see Yantel web site : [www.yantel-corp.com](http://www.yantel-corp.com)

### Typical Performance (-55°C,25°C,95°C,125°C: 500-3000MHz)



### Yantel Corporation

Add: No.308-322, 3F, Building 1, Juchuang Jingu Innovation Park, Wenyuan Road 35, Xili Street, Nanshan, Shenzhen, China

Tel: 86-755-8355-1886 Fax: 86-755-8355-2533

 For detailed performance specs & shopping online see Yantel web site : [www.yantel-corp.com](http://www.yantel-corp.com)

### Description of Measured Specifications

Parameter	Description
<b>VSWR</b>	Voltage standing wave ratio, the impedance match to 50 $\Omega$ , the ideal value is 1:1.
<b>Return Loss</b>	Loss of signal power resulting from the reflection caused by discontinuity of transmission line.
<b>Insertion Loss</b>	The input power divided by sum of power at the coupling port & transmission port.
<b>Coupling</b>	The input power divided by the power at coupling port.
<b>Transmission</b>	The input power divided by the power at transmission port.
<b>Directivity</b>	The power at the coupling port divided by the power at the isolated.

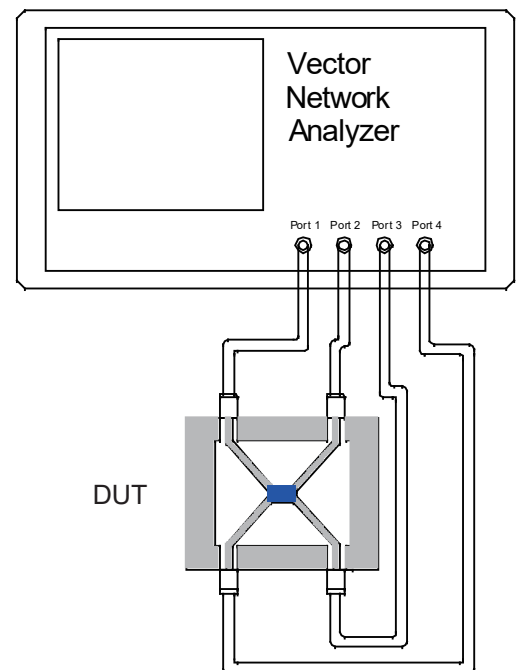
### Test Method

1. Calibrating your vector network analyzer.
2. Connect the VNA 4 Port to DUT respectively.
3. Measure the data of coupling through port 1 to port 4(S41).
4. Measure the data of transmission through port 1 to port 2(S21).
5. Measure the data of isolation through port 1 to port 3(S31).
6. Measure the data of return loss port 1, port 2, port 3 & port 4.
7. According to the above data to calculate insertion loss, directivity.

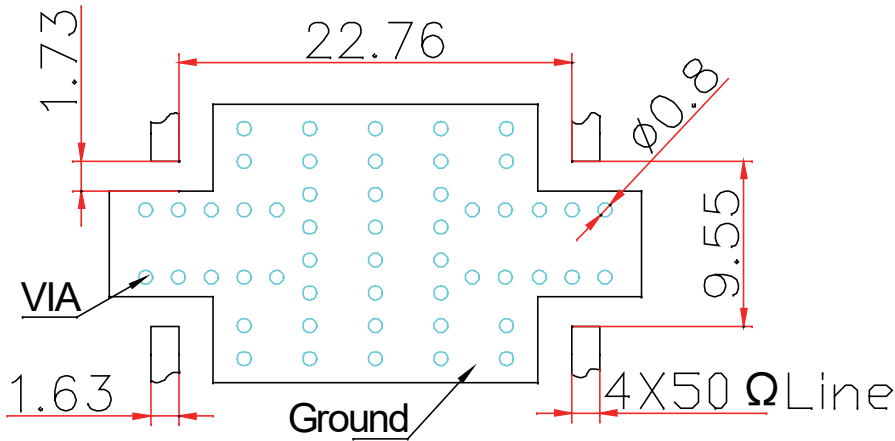
Note:

1. When calculating insertion loss at room temperature, coupling & transmission data both need remove demo board loss. Please see demo board loss data below the table :

Frequency Range(MHz)	Demo Board Loss (dB) @25°C
<b>470-860</b>	0.06~0.10
<b>800-1000</b>	0.10~0.15
<b>1200-1700</b>	0.15~0.20
<b>1700-2000</b>	0.20~0.25
<b>2000-2300</b>	0.20~0.25
<b>2300-2700</b>	0.25~0.30



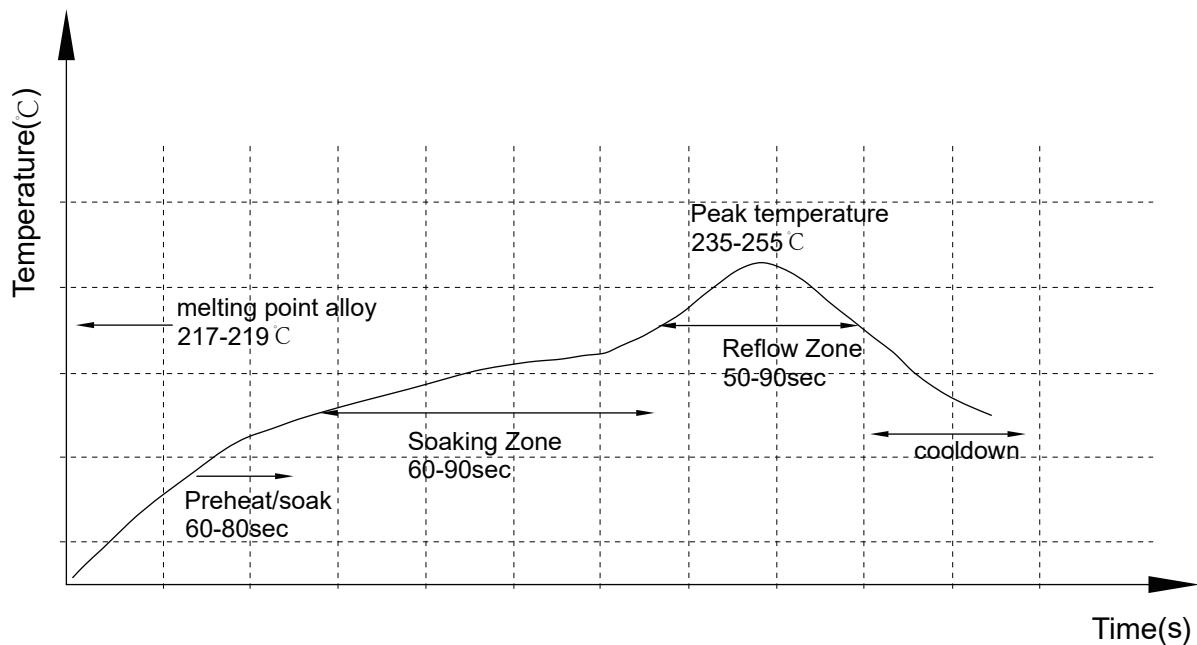
### Recommended PCB Layout



#### NOTE:

1. 50  $\Omega$  line width is shown above designing from RO4350B dielectric thickness 0.762mm; copper 1 OZ
2. Bottom side of the PCB is continuous ground plane.
3. All dimensions shown in mm.

### Reflow Profile

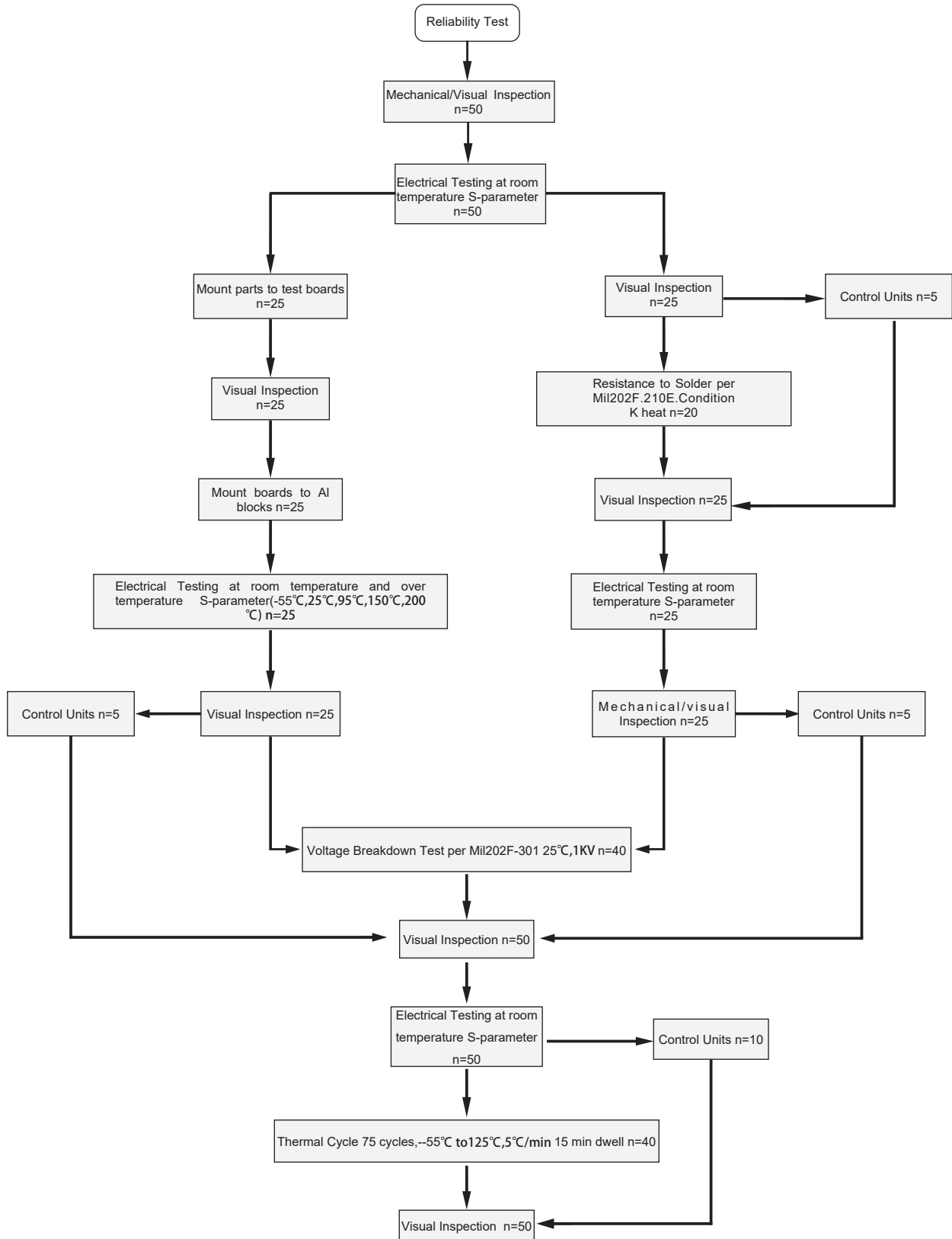


### Yantel Corporation

Add: No.308-322, 3F, Building 1, Juchuang Jingu Innovation Park, Wenyuan Road 35, Xili Street, Nanshan, Shenzhen, China  
 Tel: 86-755-8355-1886 Fax: 86-755-8355-2533

For detailed performance specs & shopping online see Yantel web site : [www.yantel-corp.com](http://www.yantel-corp.com)

### Reliability Test Flow

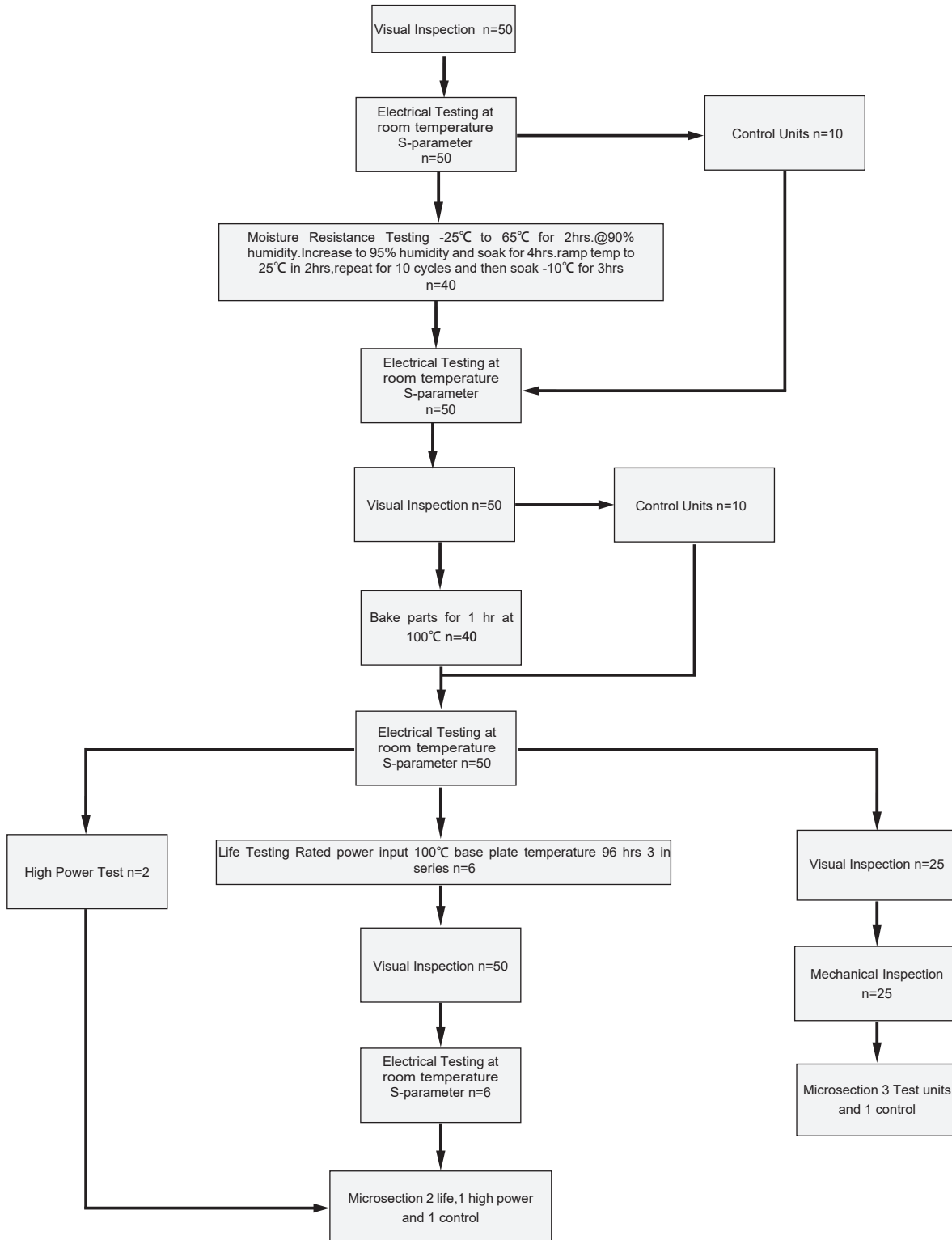


### Yantel Corporation

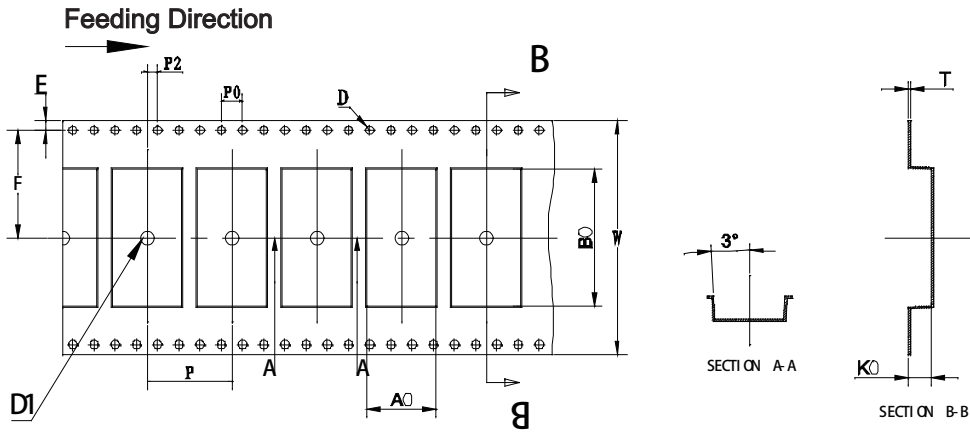
Add: No.308-322, 3F, Building 1, Juchuang Jingu Innovation Park, Wenyuan Road 35, Xili Street, Nanshan, Shenzhen, China  
Tel: 86-755-8355-1886 Fax: 86-755-8355-2533

For detailed performance specs & shopping online see Yantel web site : [www.yantel-corp.com](http://www.yantel-corp.com)

### Reliability Test Flow



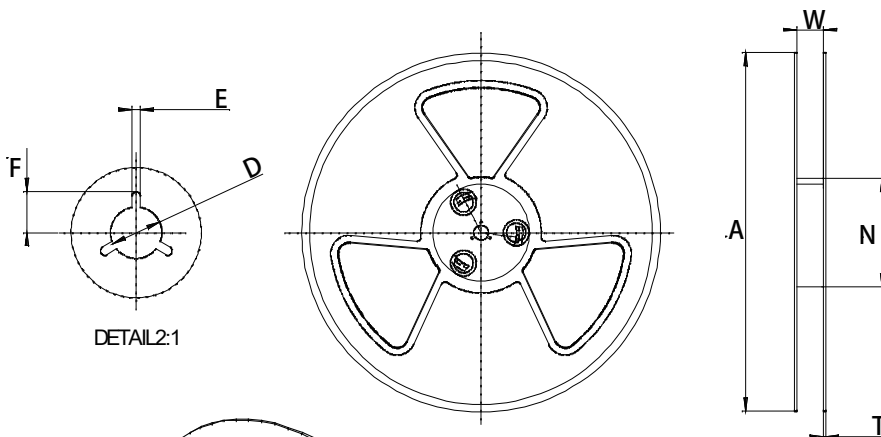
### Tape and Reel Drawing



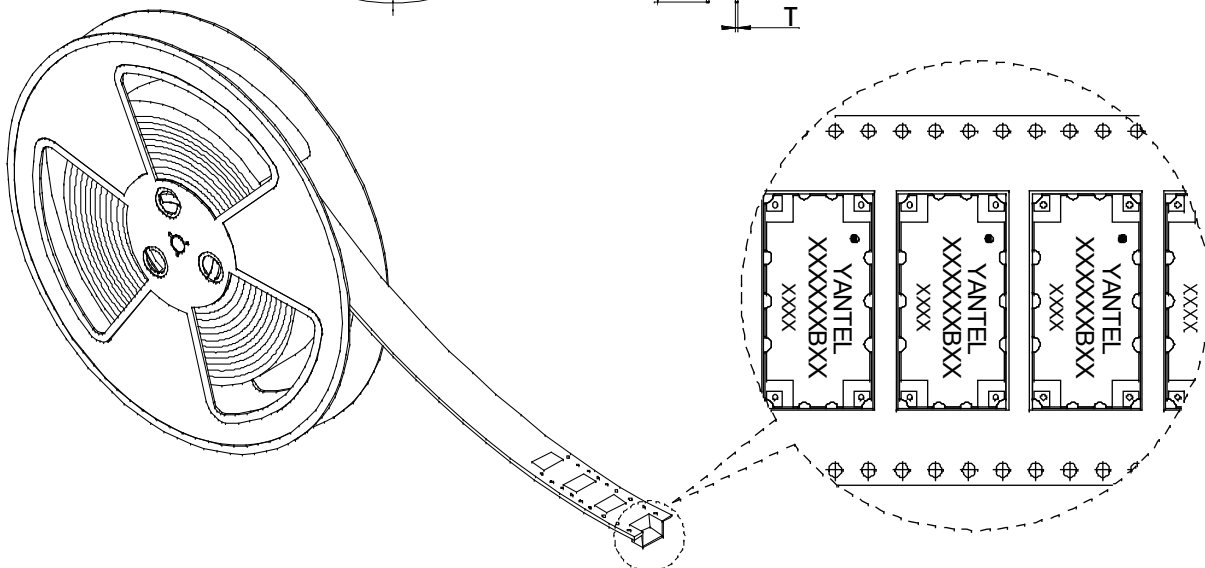
Notice:

- A.10 Sprocket hole pitch cumulative tolerance is 0.2mm.
- B. Carrier camber shall be not more than 1mm per 100mm through a length of 250mm.
- C. All dimensions meet EIA-418-B requirements.
- D. A0 & B0 measured as indicated.
- E. K0 measured from a place on the inside bottom of the pocket to top surface of carrier.
- F. Material: PE 100
- G. Thickness: 0.40±0.05mm
- H. 400 units (maximum) / T&R

ITEM	W	A0	B0	K0	P	F	E	D	D1	P0	P2	T	13"
DIM(mm)	44.00	13.2	25.90	3.60	16.00	20.20	1.75	1.50	1.50	4.00	2.00	0.40	P/R
TOLE	+0.30 -0.30	+0.10 -0.10	+0.10 -0.10	+0.10 -0.10	+0.10 -0.10	+0.10 -0.10	+0.10 -0.10	+0.10 -0.00	+0.10 -0.00	+0.10 -0.10	+0.15 -0.15	+0.05 -0.05	400pcs



Symbol	Dimensions(mm)
W	44.5±0.4
A	330±0.5
N	100±0.3
T	1.8±0.2
E	2.1±0.3
F	10.75±0.3
D	13.5+0.5/-0.2



### Yantel Corporation

 Add: No.308-322, 3F, Building 1, Juchuang Jingu Innovation Park, Wenyuan Road 35, Xili Street, Nanshan, Shenzhen, China  
 Tel: 86-755-8355-1886 Fax: 86-755-8355-2533

 For detailed performance specs & shopping online see Yantel web site : [www.yantel-corp.com](http://www.yantel-corp.com)