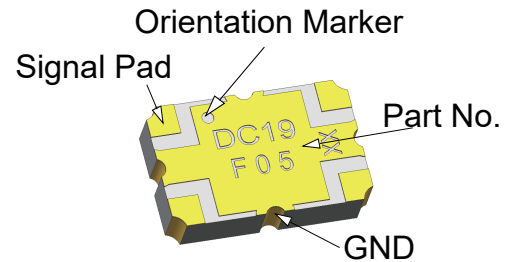


Description

The products are widely used in China and global 4G/5G base station, 5G network coverage, BeiDou navigation antenna, vehicle-mounted high-precision navigation (unmanned) antenna and other applications. The products have miniaturization, low-loss, wide-bandwidth, high power density, high reliability, high cost-effective and other competitive advantages.



Features:

- 1700-2300 MHz
- Doherty Amplifier
- High Power
- Very Low Loss
- Tight Amplitude Balance
- High Isolation
- Production Friendly
- Tape and Reel

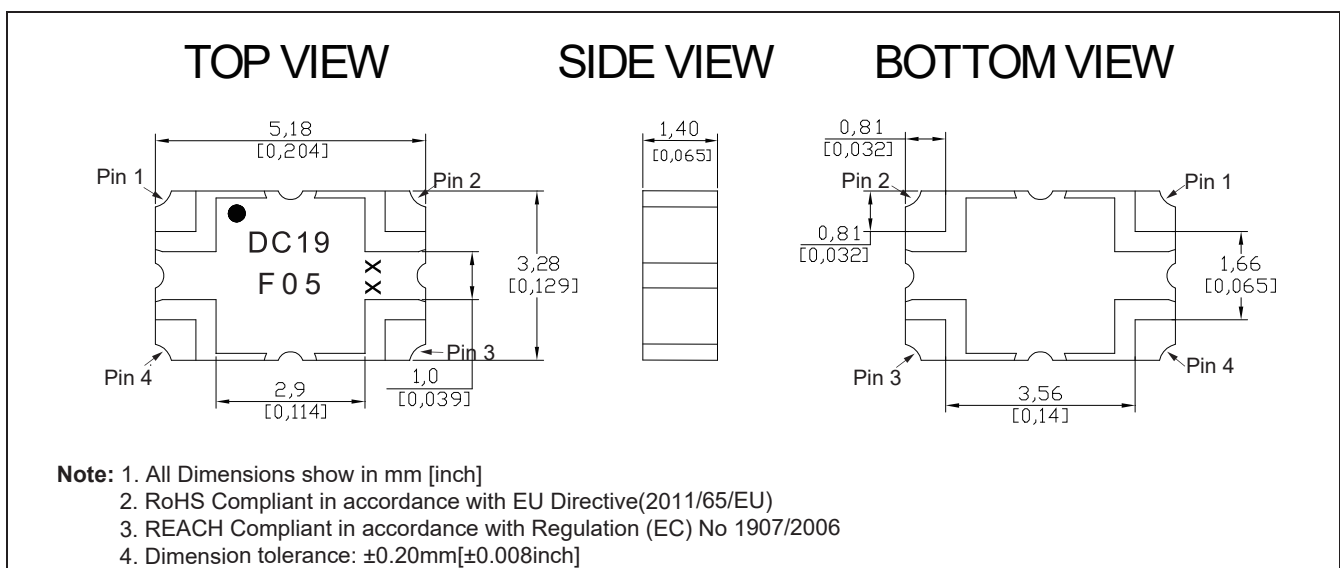
Electrical Specifications

Frequency	Coupling	Directivity	VSWR
MHz	dB	dB Min	Max : 1
1700 - 2300	5±0.30	20	1.22
1700 - 2300	5±0.33	18	1.34
Insertion Loss	Phase Balance	Power	Operating Temp.
dB Max	Degrees	Avg. CW Watts at 95 °C	°C
0.150	90±4.0	25	-55 to +105
0.165	90±4.4	25	105 to +125

Notes:

1. All the above data are based on specified demo board.
2. Insertion loss: Thru board loss has been removed.

Mechanical Outline



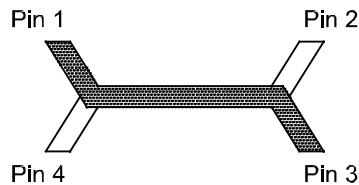
Yantel Corporation

Add: 3F, Building 3, Southern District 2 of Zhongguan Honghualing Industrial Park, Xili, Nanshan, Shenzhen, China
 Tel: 86-755-8355-1886 Fax: 86-755-8355-2533

For detailed performance specs & shopping online see Yantel web site : www.yantel-corp.com

Directional Coupler Pin Configuration

The DC19F05 has an orientation marker to denote Pin1. Once port one has been identified the other ports are known automatically. Please see the chart below for clarification:



Pin 1	Pin 2	Pin 3	Pin 4
Input	Isolate	Transmission	Coupling
Isolate	Input	Coupling	Transmission
Transmission	Coupling	Input	Isolate
Coupling	Transmission	Isolate	Input

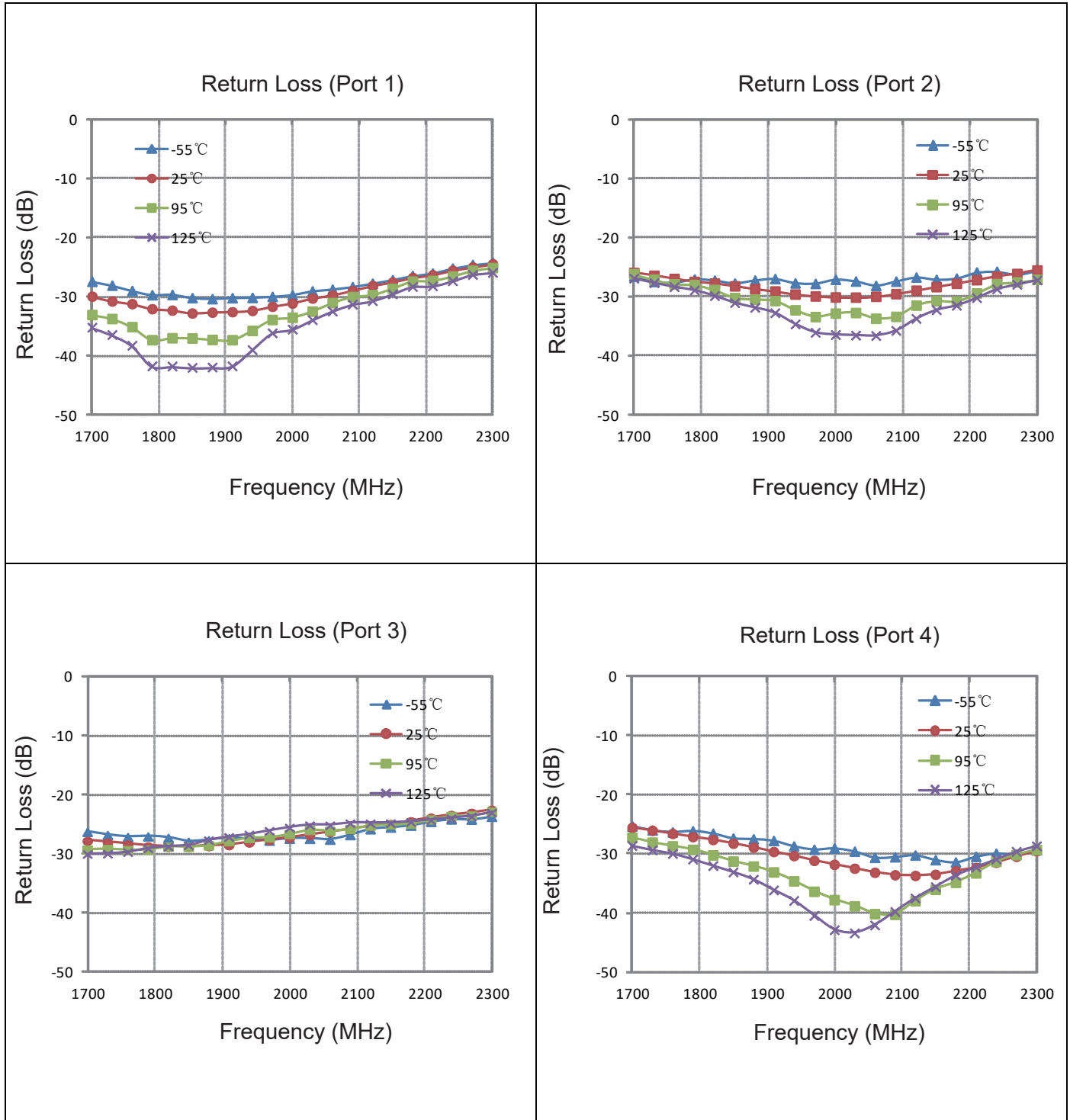
Typical Performance Data (@25°C)

Frequency (MHz)	Coupling (dB)	Transmission (dB)	Insertion Loss (dB)	Isolation (dB)	Amplitude Balance (dB)	Phase (degree)	Return Loss(dB)			
							S11	S22	S33	S44
1700	-4.93	-1.75	-0.04	-27.56	-1.88	-90.85	-30.02	-25.99	-27.73	-25.53
1730	-4.93	-1.77	-0.06	-27.76	-1.86	-91.05	-30.83	-26.45	-28.02	-26.03
1760	-4.84	-1.74	-0.01	-27.84	-1.82	-90.96	-31.28	-27.00	-28.32	-26.55
1790	-4.88	-1.78	-0.05	-27.92	-1.82	-90.99	-32.13	-27.50	-28.65	-27.09
1820	-4.84	-1.79	-0.04	-28.07	-1.79	-91.09	-32.37	-27.78	-28.79	-27.58
1850	-4.81	-1.75	-0.01	-28.11	-1.79	-90.89	-32.86	-28.24	-28.79	-28.20
1880	-4.86	-1.80	-0.05	-28.19	-1.79	-91.20	-32.72	-28.73	-28.63	-28.87
1910	-4.82	-1.81	-0.05	-28.21	-1.76	-91.07	-32.65	-29.12	-28.48	-29.62
1940	-4.83	-1.77	-0.03	-28.21	-1.79	-91.06	-32.44	-29.64	-28.02	-30.30
1970	-4.84	-1.81	-0.05	-28.23	-1.78	-91.25	-31.73	-29.95	-27.64	-31.11
2000	-4.82	-1.77	-0.03	-28.18	-1.79	-91.04	-31.18	-30.13	-27.23	-31.77
2030	-4.88	-1.80	-0.06	-28.20	-1.81	-91.26	-30.34	-30.16	-26.75	-32.43
2060	-4.90	-1.84	-0.09	-28.10	-1.80	-91.14	-29.81	-30.02	-26.30	-33.12
2090	-4.88	-1.76	-0.03	-28.00	-1.84	-91.10	-29.06	-29.55	-25.79	-33.54
2120	-4.93	-1.81	-0.08	-27.90	-1.84	-91.24	-28.21	-28.99	-25.27	-33.65
2150	-4.98	-1.80	-0.09	-27.77	-1.87	-90.96	-27.61	-28.38	-24.88	-33.46
2180	-4.97	-1.74	-0.05	-27.69	-1.91	-91.20	-26.85	-27.82	-24.41	-32.86
2210	-5.04	-1.79	-0.11	-27.58	-1.92	-91.02	-26.38	-27.20	-23.80	-32.30
2240	-5.12	-1.77	-0.12	-27.38	-1.99	-90.94	-25.61	-26.61	-23.33	-31.43
2270	-5.13	-1.74	-0.10	-27.27	-2.02	-91.02	-25.06	-26.15	-22.98	-30.43
2300	-5.17	-1.67	-0.07	-27.04	-2.09	-91.00	-24.53	-25.55	-22.48	-29.48

Yantel Corporation

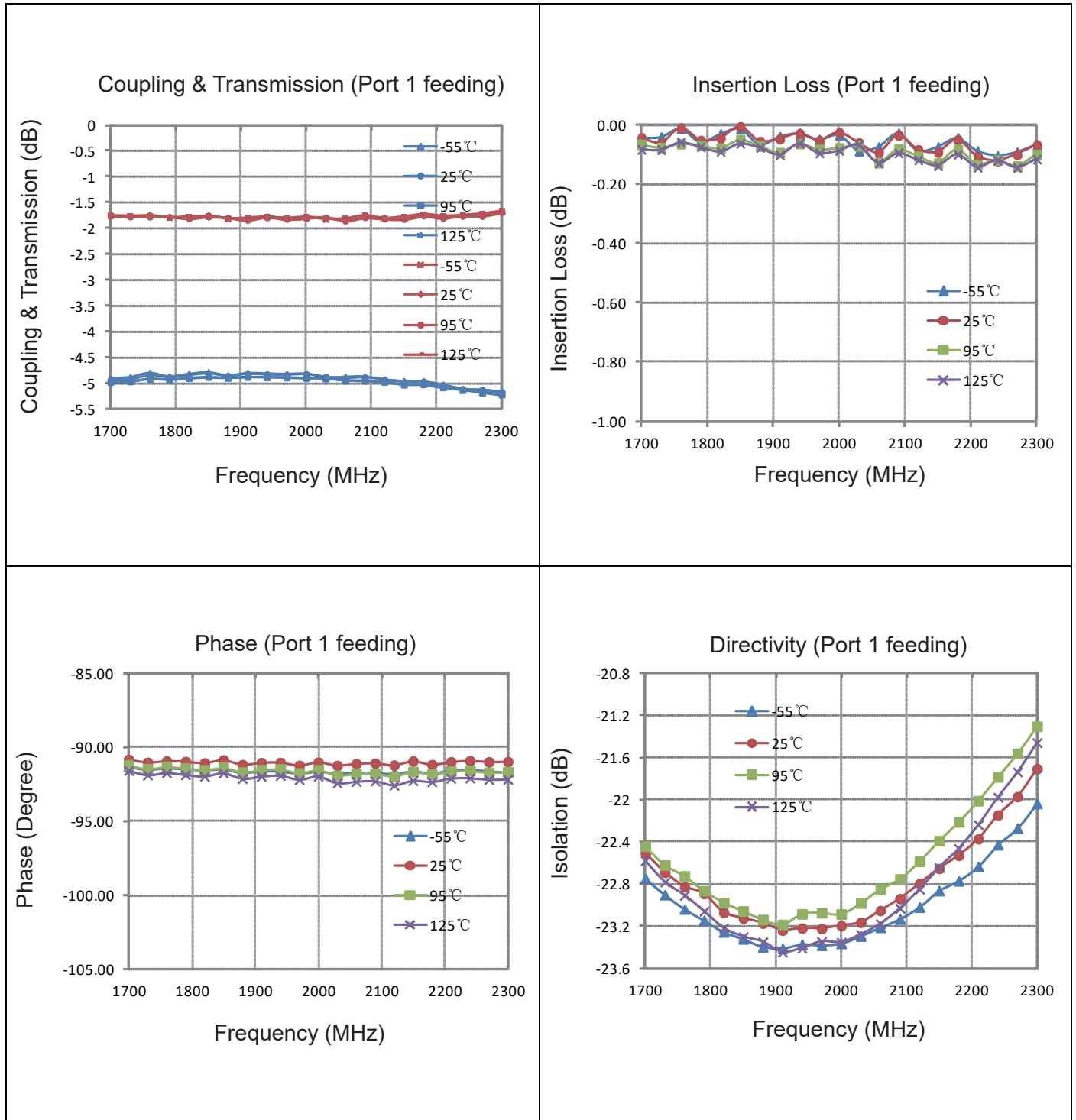
Add: 3F, Building 3, Southern District 2 of Zhongguan Honghualing Industrial Park, Xili, Nanshan, Shenzhen, China
 Tel: 86-755-8355-1886 Fax: 86-755-8355-2533

For detailed performance specs & shopping online see Yantel web site : www.yantel-corp.com

Typical Performance (-55°C, 25°C, 95°C, 125°C:1700-2300 MHz)

Yantel Corporation

 Add: 3F, Building 3, Southern District 2 of Zhongguan Honghualing Industrial Park, Xili, Nanshan, Shenzhen, China
 Tel: 86-755-8355-1886 Fax: 86-755-8355-2533

 For detailed performance specs & shopping online see Yantel web site : www.yantel-corp.com

Typical Performance (-55°C, 25°C, 95°C, 125°C: 1700-2300 MHz)

Yantel Corporation

 Add: 3F, Building 3, Southern District 2 of Zhongguan Honghualing Industrial Park, Xili, Nanshan, Shenzhen, China
 Tel: 86-755-8355-1886 Fax: 86-755-8355-2533

 For detailed performance specs & shopping online see Yantel web site : www.yantel-corp.com

Description of Measured Specifications

Parameter	Description
VSWR	Voltage standing wave ratio, the impedance match to 50Ω , the ideal value is 1:1.
Return Loss	Loss of signal power resulting from the reflection caused by discontinuity of transmission line.
Insertion Loss	The input power divided by sum of power at the coupling port & transmission port.
Coupling	The input power divided by the power at coupling port.
Transmission	The input power divided by the power at transmission port.
Directivity	The power at the coupling port divided by the power at the isolated.
Phase Balance	The difference between coupling port and transmission port.

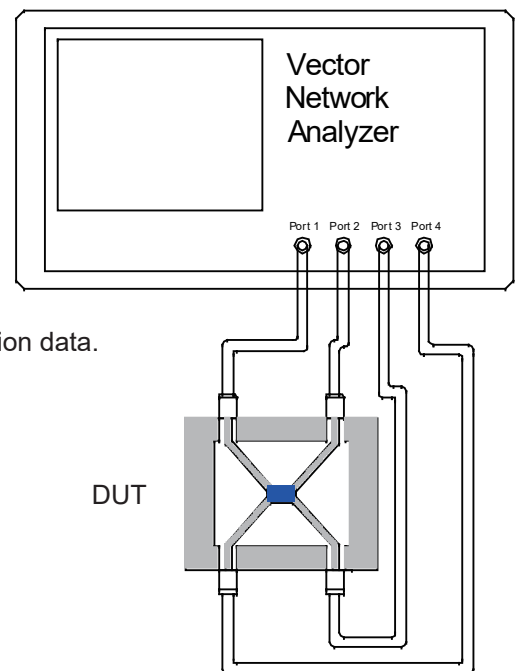
Test Method

1. Calibrating your vector network analyzer.
2. Connect the VNA 4 Port to DUT respectively.
3. Measure the data of coupling through port 1 to port 4(S41).
4. Measure the data of transmission through port 1 to port 3(S31).
5. Measure the data of isolation through port 1 to port 2(S21).
6. Measure the data of return loss port 1, port 2, port 3 & port 4.
7. According to the above data to calculate insertion loss, directivity and phase balance.

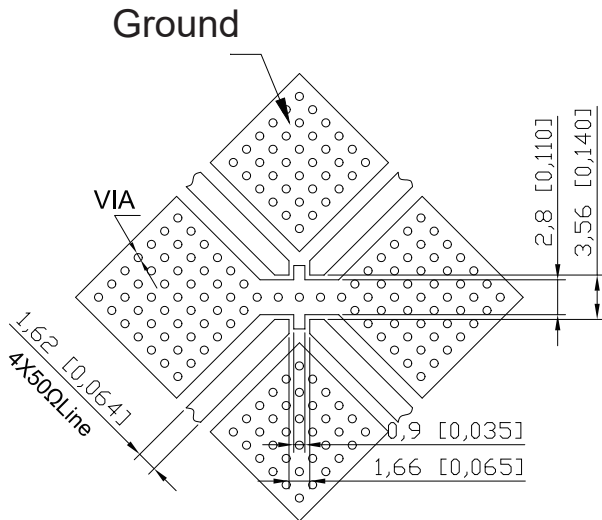
Note:

1. When calculating insertion loss at room temperature, demo board loss should be removed from both coupling & transmission data. Please refer to the below table for demo board loss :

Frequency Range(MHz)	Demo Board Loss (dB) @25°C
470-860	0.07
800-1000	0.10
1200-1700	0.15
1700-2000	0.15
2000-2300	0.20
2300-2700	0.25



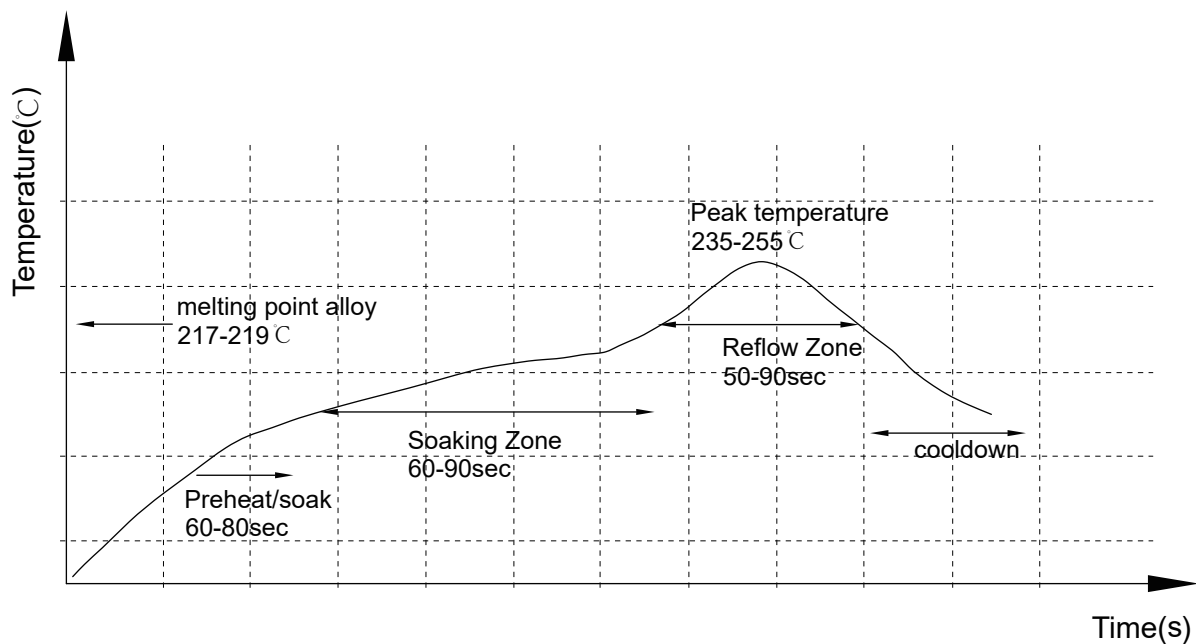
Recommended PCB Layout



NOTE:

1. 50Ω line width is shown above designing from $\epsilon_r=3.66$ THK=0.762mm copper 1 OZ
2. Bottom side of the PCB is continuous ground plane.
3. All dimensions shown in mm [inch].

Reflow Profile

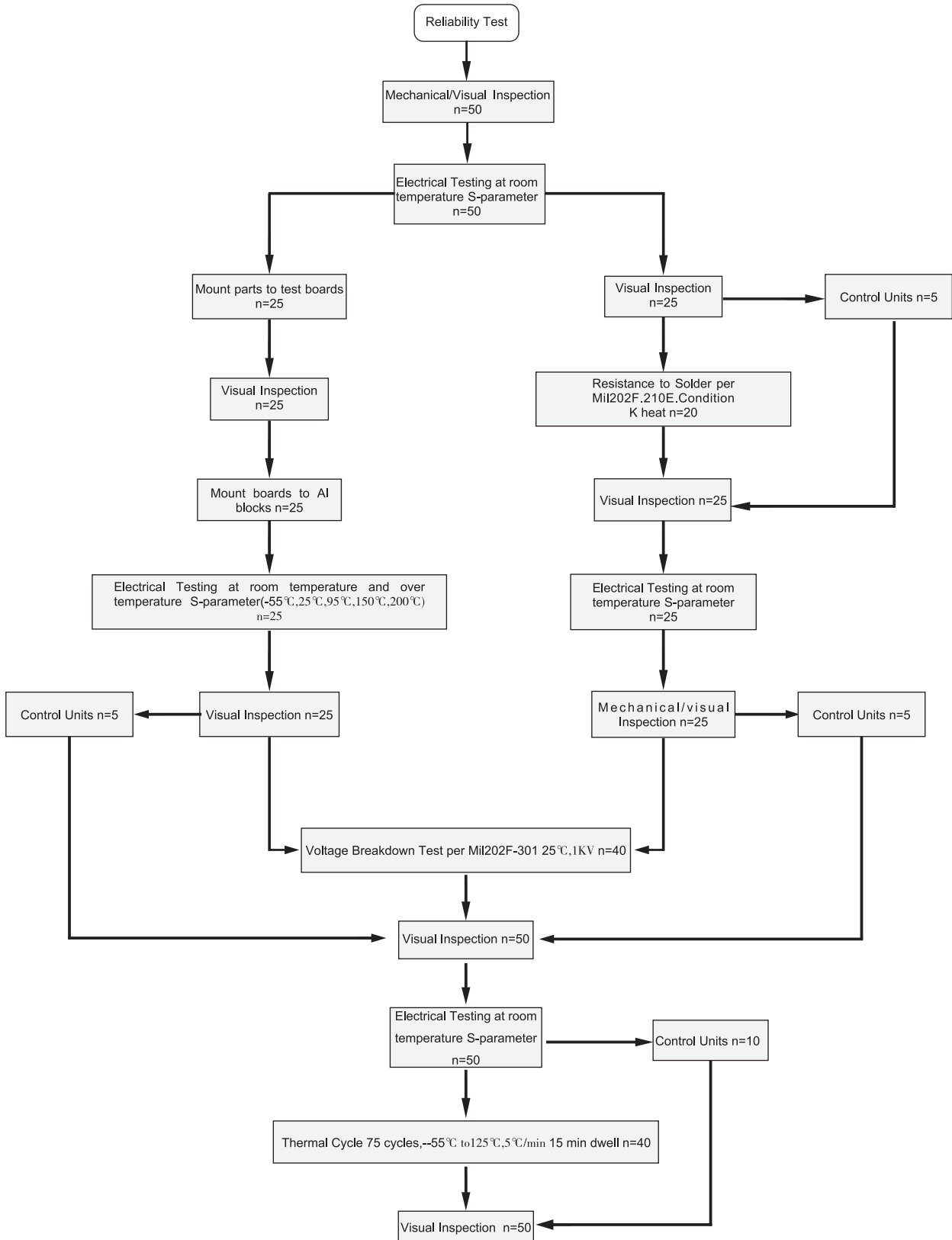


Yantel Corporation

Add: 3F, Building 3, Southern District 2 of Zhongguan Honghualing Industrial Park, Xili, Nanshan, Shenzhen, China
 Tel: 86-755-8355-1886 Fax: 86-755-8355-2533

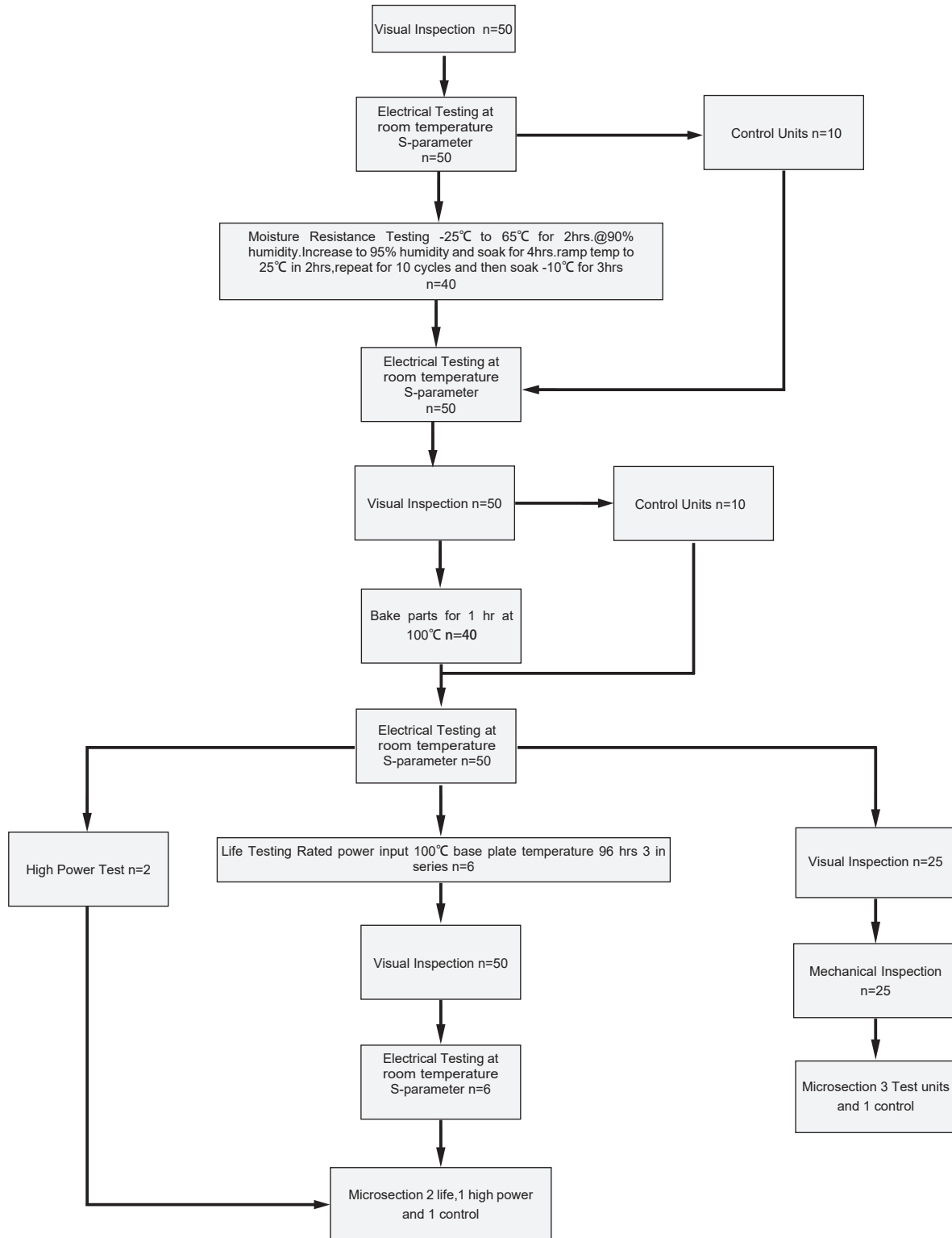
For detailed performance specs & shopping online see Yantel web site : www.yantel-corp.com

Reliability Test Flow



Yantel Corporation

Reliability Test Flow



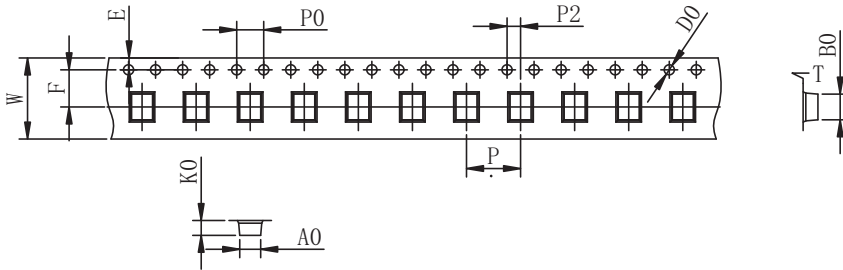
Yantel Corporation

Add: 3F, Building 3, Southern District 2 of Zhongguan Honghualing Industrial Park, Xili, Nanshan, Shenzhen, China
 Tel: 86-755-8355-1886 Fax: 86-755-8355-2533

For detailed performance specs & shopping online see Yantel web site : www.yantel-corp.com

Tape and Reel Drawing

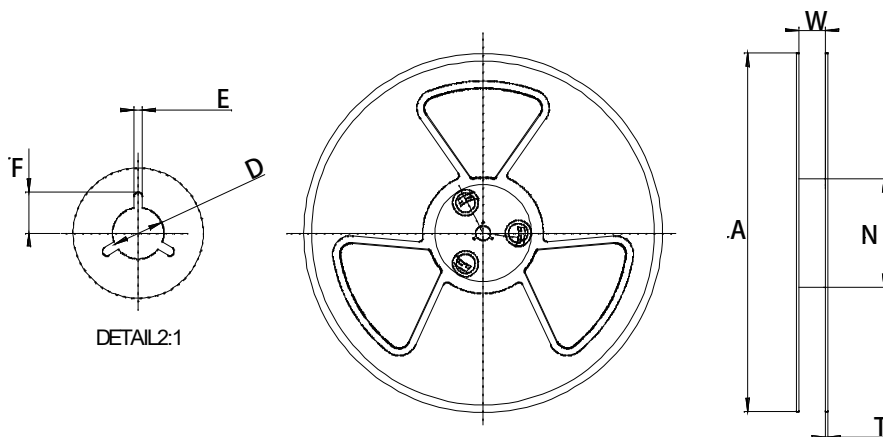
Feeding Direction



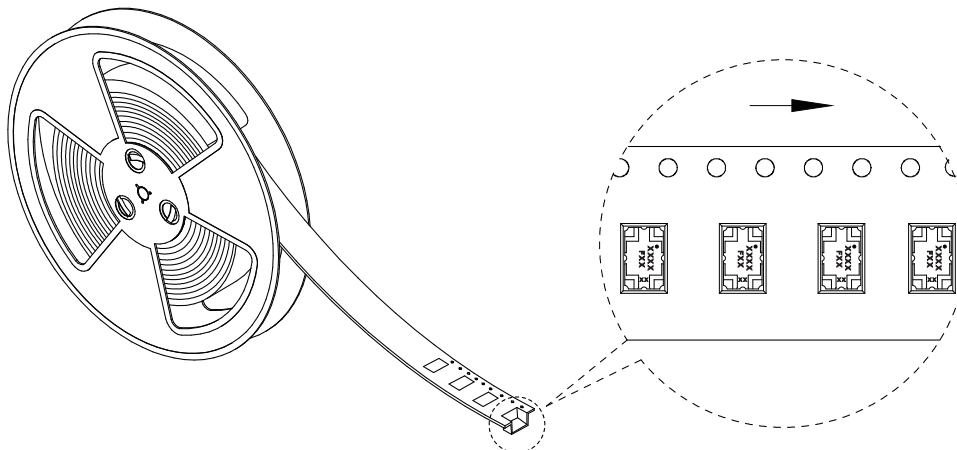
ITEM	W	A0	B0	K0	K1	P	F	E	D	P0	P2	t	7"
DIM(mm)	12.0	3.45	5.35	1.5		8	5.5	1.75	1.50	4.00	2.00	0.30	P/R
TOLE	+0.30 -0.30	+0.10 -0.10	+0.10 -0.10	+0.10 -0.10	+0.10 -0.10	+0.10 -0.10	+0.10 -0.10	+0.10 -0.10	+0.10 -0.00	+0.10 -0.10	+0.10 -0.10	+0.05 -0.05	1000pcs

Notice:

- A.10 Sprocket hole pitch cumulative tolerance is 0.2mm.
- B. Carrier camber shall be not more than 1mm per 100mm through a length of 250mm.
- C. All dimensions meet EIA-418-B requirements.
- D. A0 & B0 measured as indicated.
- E. K0 measured from a place on the inside bottom of the pocket to top surface of carrier.
- F. Material: PE 100
- G. Thickness: 0.30±0.05mm
- H. 1000 units (maximum) / T&R



Symbol	Dimensions(mm)
W	12.5±0.4
A	177±0.5
N	63±0.3
T	1.8±0.2
E	2.1±0.3
F	10.75±0.3
D	13.5+0.5/-0.2



Yantel Corporation

 Add: 3F, Building 3, Southern District 2 of Zhongguan Honghualing Industrial Park, Xili, Nanshan, Shenzhen, China
 Tel: 86-755-8355-1886 Fax: 86-755-8355-2533

 For detailed performance specs & shopping online see Yantel web site : www.yantel-corp.com