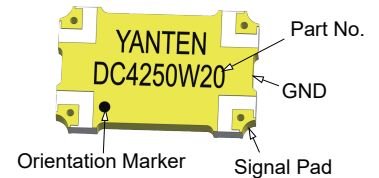


Description

High-power broadband surface-mounted and embedded coupler series, realizing the power synthesis and distribution of microwave high-power amplifier system, signal acquisition and other functions. Used in active phased array radar, microwave transceiver components, microwave amplifiers, radio stations, satellite communications and other projects, to provide standardized and customized high-quality and reliable products.

The performance and reliability indexes are in line with international products, and the pin definition and package size are compatible with international products, realizing 100% in-situ replacement.



Features:

- 2500-6000 MHz
- DCS & PCS
- Low Insetion Loss
- High Directivity
- Low VSWR
- Good Repeatability
- CTE compatible with FR4, G-10, RF-35, RO4350B and polyimide
- Immersion gold, prevent surface oxidation & scratch
- RoHS Compliant
- Tape & Reel Package available

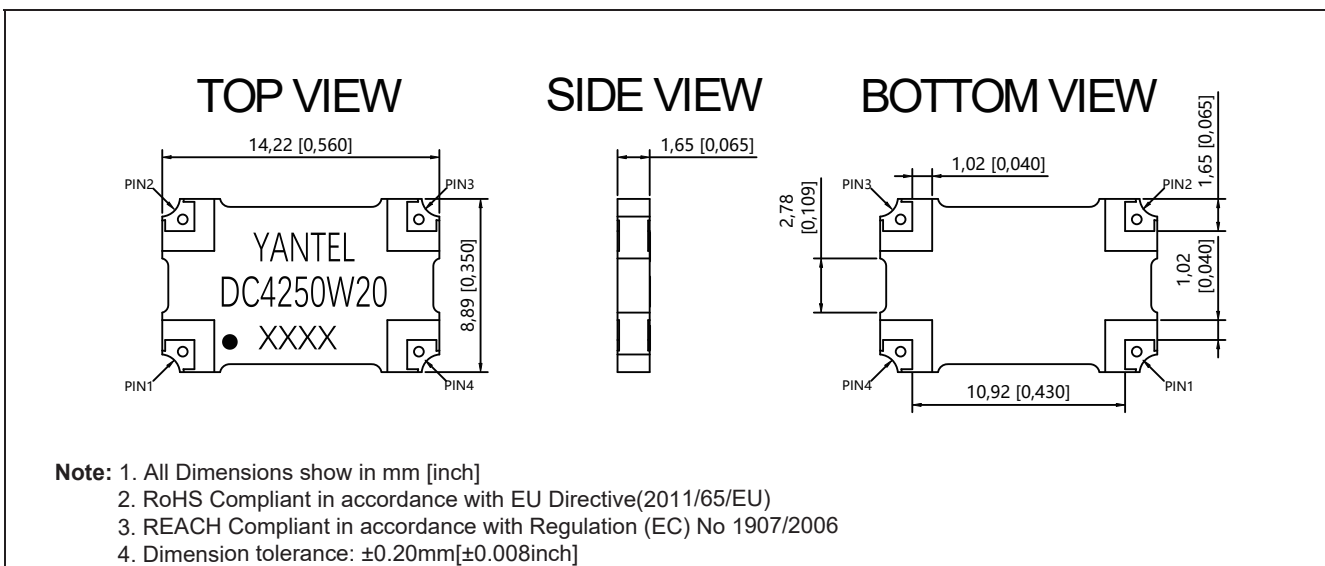
Electrical Specifications (typical)

Frequency MHz	Coupling dB	Directivity dB Min	Return Loss dB Min
2500-6000	20±2	15	15
Insertion Loss dB Max	Power Avg. CW Watts	Operating Temp. °C	
0.25	100	-55 to +95	

Note:

1. All above test data resulting from specify demo board.
2. Insertion loss has removed the thru board loss.

Mechanical Outline



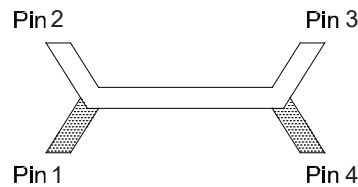
Yantel Corporation

Add: 3F, Building 3, Southern District 2 of Zhongguan Honghualing Industrial Park, Xili, Nanshan, Shenzhen, China
 Tel: 86-755-8355-1886 Fax: 86-755-8355-2533

For detailed performance specs & shopping online see Yantel web site : www.yantel-corp.com

Directional Coupler Pin Configuration

The DC4250W20 has an orientation marker to denote Pin1. Once port one has been identified the other ports are known automatically. Please see the chart below for clarification:



Pin 1	Pin 2	Pin 3	Pin 4
Input	Coupling	Isolate	Transmission
Input	Isolate	Coupling	Transmission
Transmission	Coupling	Isolate	Input
Transmission	Isolate	Coupling	Input

Typical Performance Data (@25°C)

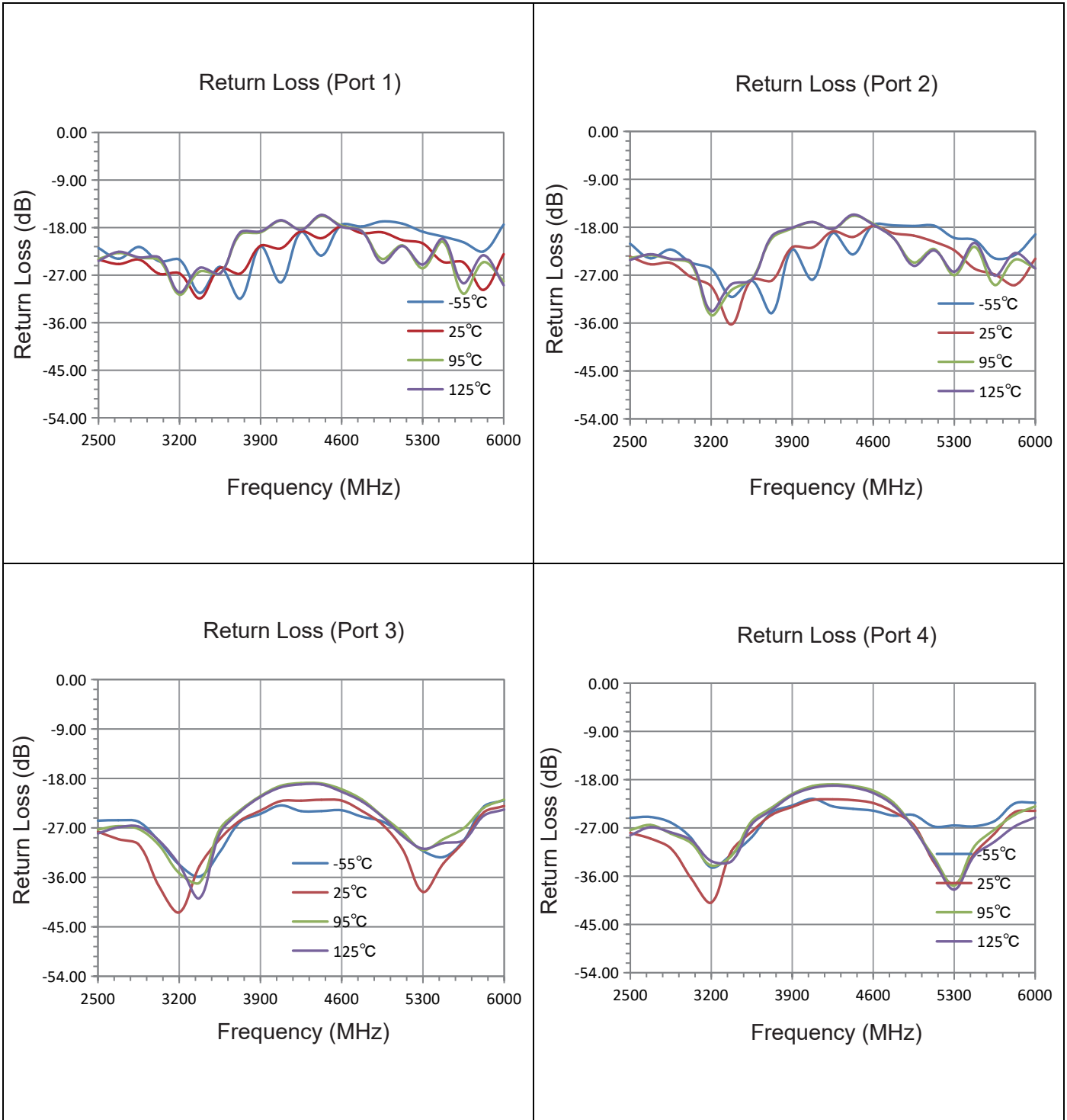
Frequency (MHz)	Coupling (dB)	Transmission (dB)	Insertion Loss (dB)	Directivity (dB)	Return Loss(dB)			
					S11	S22	S33	S44
2500	-20.18	-0.12	0.07	-25.84	-24.07	-23.51	-27.69	-27.94
2675	-19.86	-0.12	-0.08	-26.16	-24.89	-24.95	-29.04	-28.99
2850	-19.50	-0.13	-0.08	-26.97	-24.06	-24.70	-30.00	-30.82
3025	-19.25	-0.12	-0.07	-28.13	-26.74	-27.36	-37.58	-36.37
3200	-19.01	-0.12	-0.07	-28.31	-26.67	-29.08	-42.38	-40.92
3375	-18.90	-0.12	-0.06	-28.61	-31.40	-36.26	-33.95	-31.32
3550	-18.75	-0.13	-0.07	-30.03	-25.63	-27.81	-29.05	-27.70
3725	-18.74	-0.13	-0.07	-26.80	-26.69	-28.01	-25.66	-24.55
3900	-18.73	-0.15	-0.09	-26.48	-21.43	-21.77	-23.86	-23.09
4075	-18.67	-0.16	-0.10	-25.21	-21.93	-21.81	-22.12	-21.80
4250	-18.85	-0.20	-0.14	-23.82	-18.70	-18.79	-22.05	-21.67
4425	-18.91	-0.22	-0.16	-21.54	-20.01	-19.82	-21.88	-21.82
4600	-19.05	-0.25	-0.19	-20.77	-17.73	-17.75	-22.04	-22.37
4775	-19.12	-0.21	-0.16	-21.05	-19.05	-19.12	-23.92	-23.99
4950	-19.23	-0.21	-0.04	-20.05	-18.89	-19.58	-26.37	-26.44
5125	-19.33	-0.22	-0.03	-18.93	-20.36	-20.73	-30.92	-33.41
5300	-19.68	-0.19	-0.04	-18.10	-20.98	-22.34	-38.65	-37.47
5475	-19.85	-0.19	-0.06	-17.01	-24.49	-25.78	-33.50	-31.77
5650	-20.11	-0.18	-0.14	-16.02	-24.55	-26.89	-29.55	-28.03
5825	-20.45	-0.19	-0.15	-16.14	-29.79	-28.86	-24.15	-24.05
6000	-20.74	-0.19	-0.15	-16.63	-23.03	-23.92	-23.02	-23.82

Yantel Corporation

Add: 3F, Building 3, Southern District 2 of Zhongguan Honghualing Industrial Park, Xili, Nanshan, Shenzhen, China
 Tel: 86-755-8355-1886 Fax: 86-755-8355-2533

For detailed performance specs & shopping online see Yantel web site : www.yantel-corp.com

Typical Performance (-55°C, 25°C, 95°C, 125°C : 2500-6000 MHz)

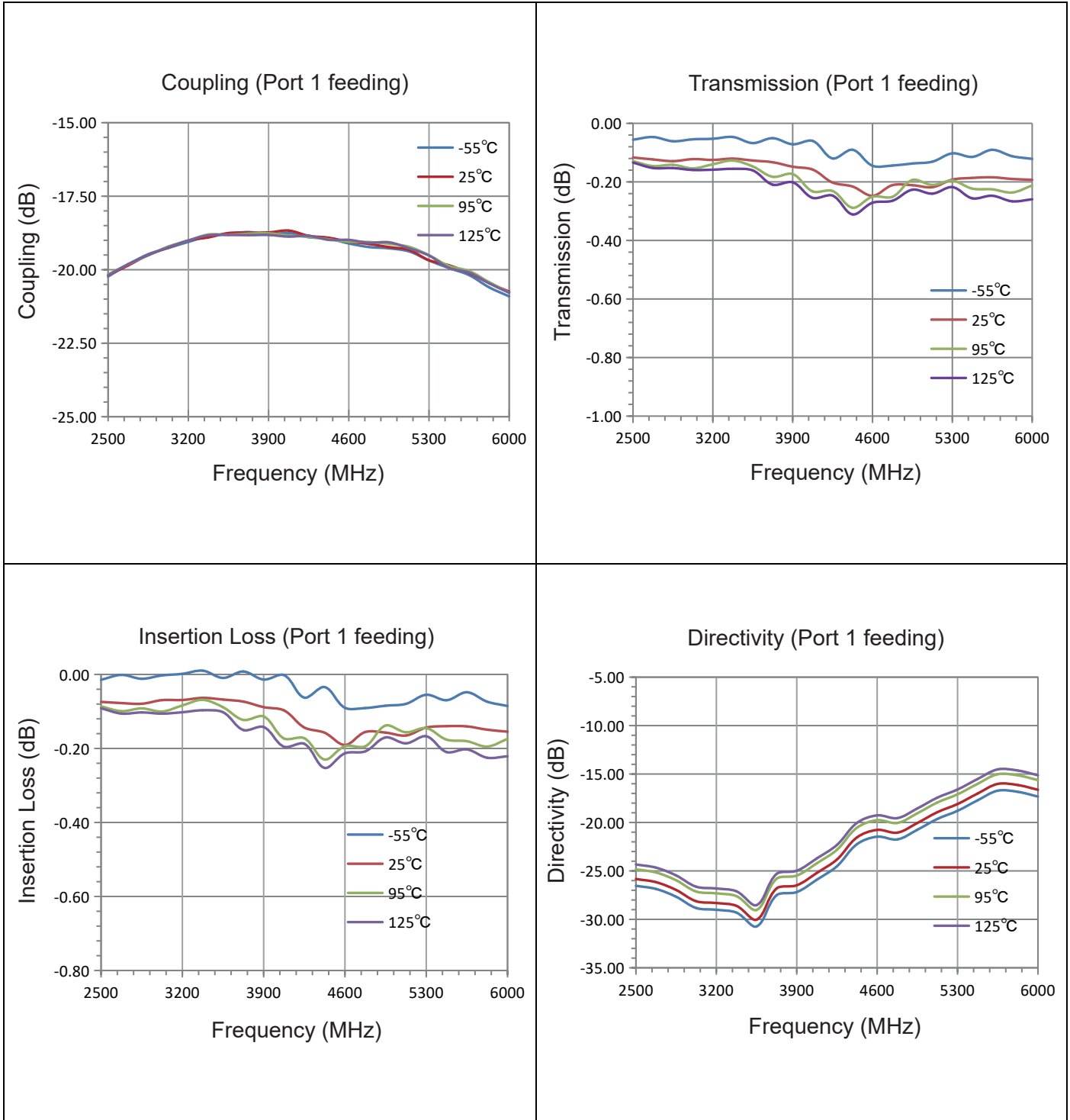


Yantel Corporation

Add: 3F, Building 3, Southern District 2 of Zhongguan Honghualing Industrial Park, Xili, Nanshan, Shenzhen, China
 Tel: 86-755-8355-1886 Fax: 86-755-8355-2533

For detailed performance specs & shopping online see Yantel web site : www.yantel-corp.com

Typical Performance (-55°C, 25°C, 95°C, 125°C : 2500-6000 MHz)



Yantel Corporation

Add: 3F, Building 3, Southern District 2 of Zhongguan Honghualing Industrial Park, Xili, Nanshan, Shenzhen, China
 Tel: 86-755-8355-1886 Fax: 86-755-8355-2533

For detailed performance specs & shopping online see Yantel web site : www.yantel-corp.com

Description of Measured Specifications

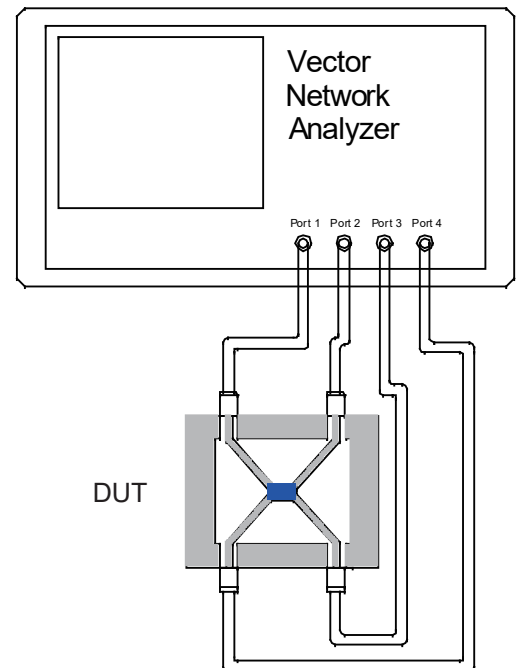
Parameter	Description
VSWR	Voltage standing wave ratio, the impedance match to 50 Ω , the ideal value is 1:1.
Return Loss	Loss of signal power resulting from the reflection caused by discontinuity of transmission line.
Insertion Loss	The input power divided by sum of power at the coupling port & transmission port.
Coupling	The input power divided by the power at coupling port.
Transmission	The input power divided by the power at transmission port.
Directivity	The power at the coupling port divided by the power at the isolated.

Test Method

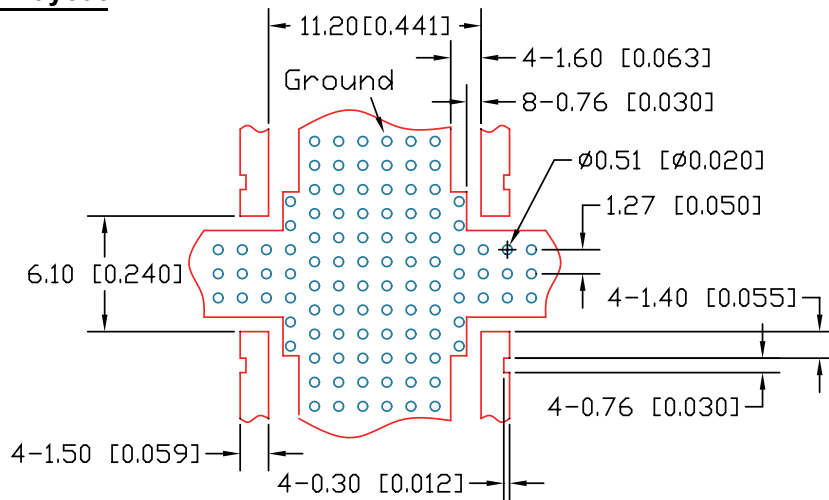
1. Calibrating your vector network analyzer.
2. Connect the VNA 4 Port to DUT respectively.
3. Measure the data of coupling through port 1 to port 2(S21).
4. Measure the data of transmission through port 1 to port 4(S21).
5. Measure the data of isolation through port 1 to port 3(S31).
6. Measure the data of return loss port 1, port 2, port 3 & port 4.
7. According to the above data to calculate insertion loss, directivity.

Note:

1. When calculating insertion loss at room temperature, coupling & transmission data both need remove demo board loss. Please see demo board loss data below the table :



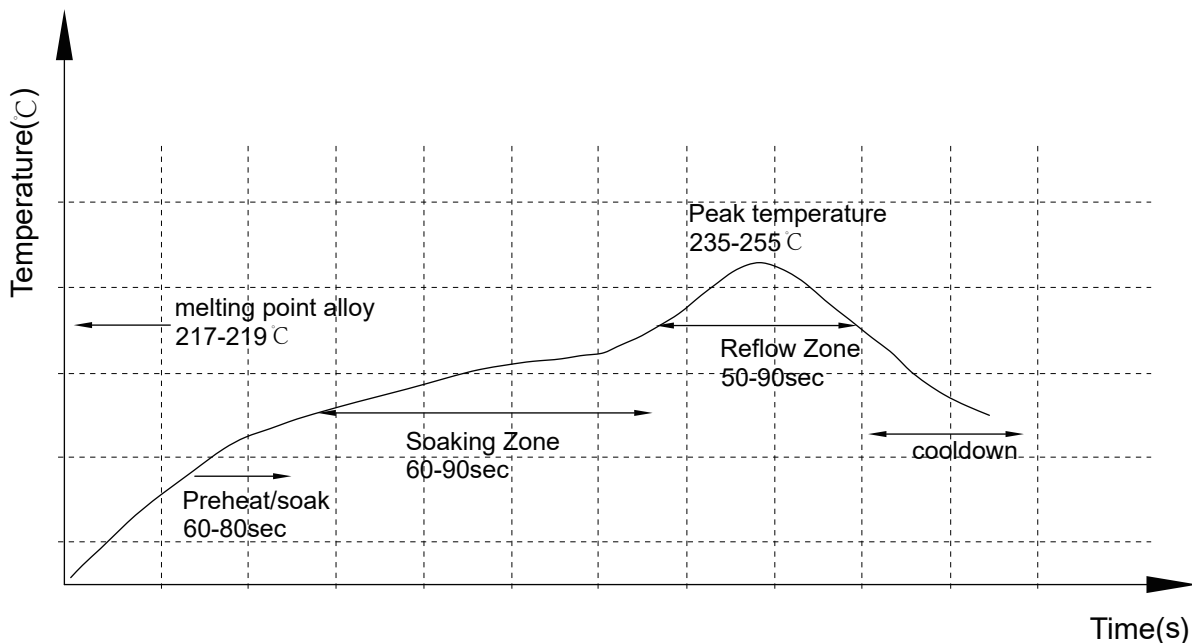
Recommended PCB Layout



NOTE:

1. 50Ω line width is shown above designing from Rogers 5880 dielectric thickness 0.5mm; copper 1 OZ
2. Bottom side of the PCB is continuous ground plane.
3. All dimensions shown in mm[inch].

Reflow Profile

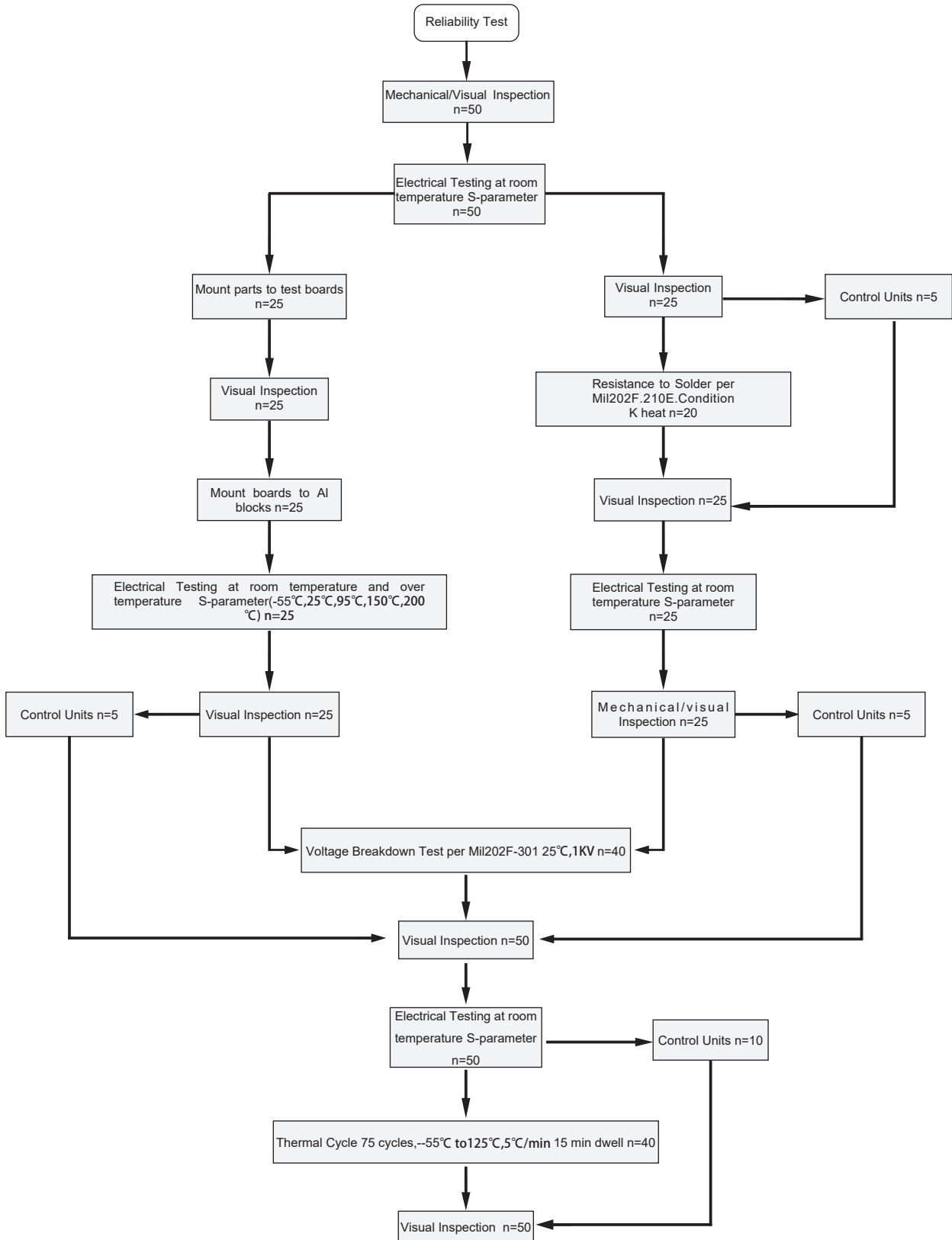


Yantel Corporation

Add: 3F, Building 3, Southern District 2 of Zhongguan Honghualing Industrial Park, Xili, Nanshan, Shenzhen, China
 Tel: 86-755-8355-1886 Fax: 86-755-8355-2533

For detailed performance specs & shopping online see Yantel web site : www.yantel-corp.com

Reliability Test Flow

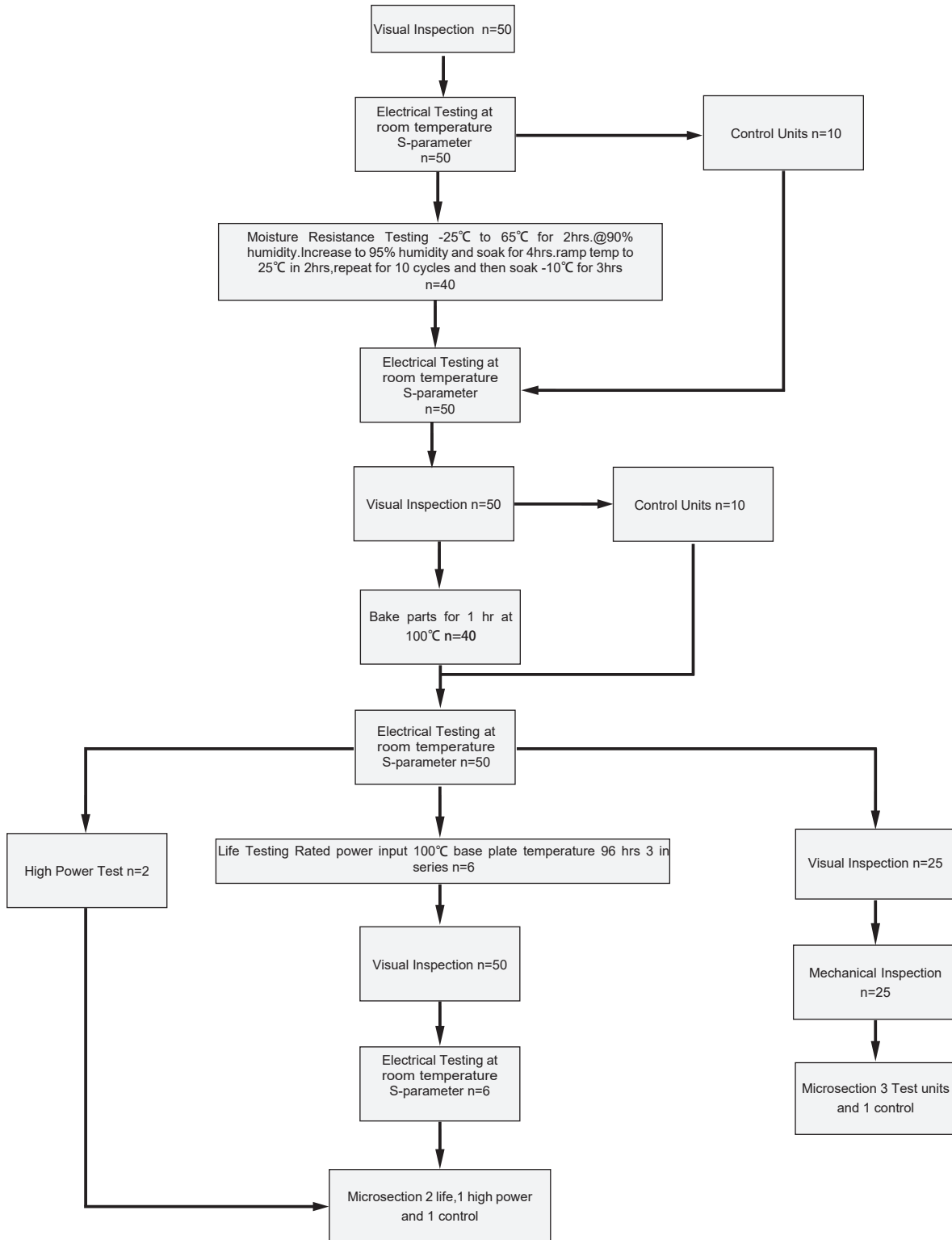


Yantel Corporation

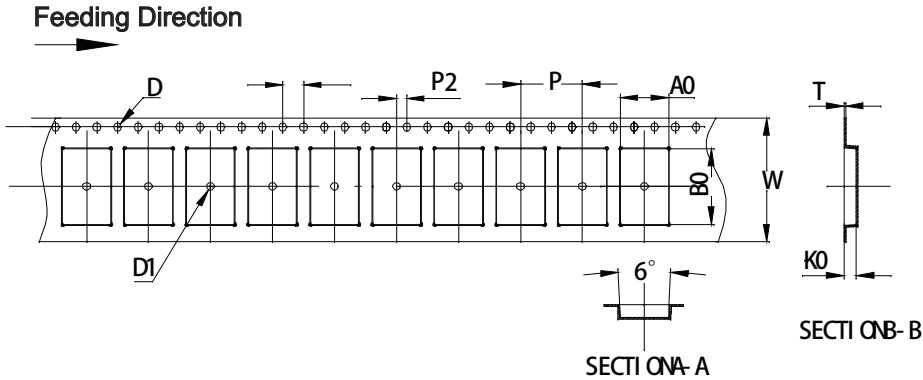
Add: 3F, Building 3, Southern District 2 of Zhongguan Honghualing Industrial Park, Xili, Nanshan, Shenzhen, China
 Tel: 86-755-8355-1886 Fax: 86-755-8355-2533

For detailed performance specs & shopping online see Yantel web site : www.yantel-corp.com

Reliability Test Flow



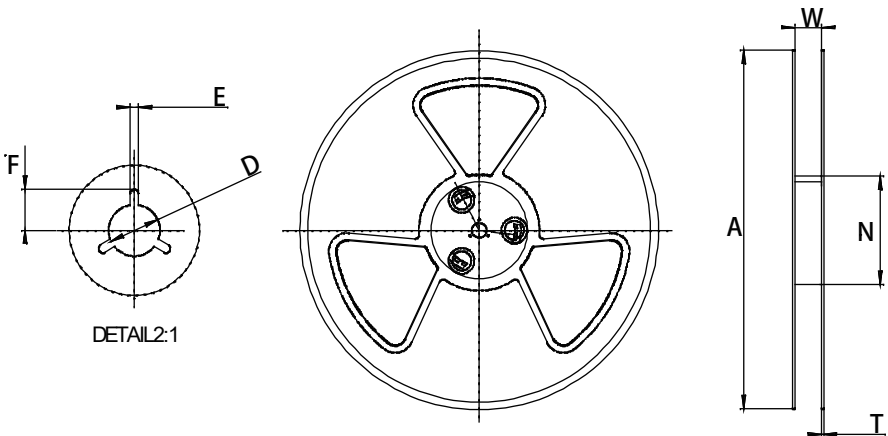
Tape and Reel Drawing



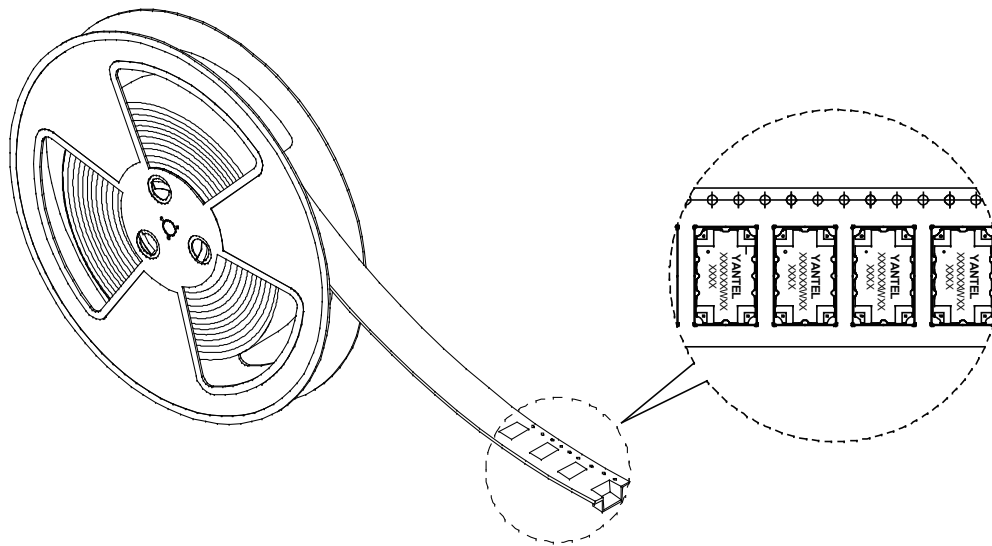
ITEM	W	A0	B0	K0	P	F	E	D	D1	P0	P2	T	7"		
DIM	(mm)	24.00	9.30	14.70	2.40	12.00	11.50	1.75	1.50	1.50	4.00	2.00	0.30	M/R	P/R
	(inch)	0.945	0.366	0.579	0.094	0.472	0.452	0.069	0.059	0.059	0.157	0.079	0.012		
TOLE	(mm)	+0.30 -0.30	+0.10 -0.10	+0.10 -0.10	+0.10 -0.10	+0.10 -0.10	+0.10 -0.10	+0.10 -0.00	+0.10 -0.00	+0.10 -0.10	+0.10 -0.10	+0.05 -0.05	6.3M/R	500pcs	

Notice:

- A. 10 Sprocket hole pitch cumulative tolerance is 0.2mm.
- B. Carrier camber shall be not more than 1mm per 100mm through a length of 250mm.
- C. All dimensions meet EIA-418-B requirements.
- D. A0 & B0 measured as indicated.
- E. K0 measured from a place on the inside bottom of the pocket to top surface of carrier.
- F. Material: PE 100
- G. Thickness: 0.30±0.05mm
- H. 500 units (maximum) / T&R



Symbol	Dimensions	
	(mm)	(inch)
W	24.5±0.4	0.965
A	177±0.5	7.0
N	63±0.3	2.48
T	1.8±0.2	0.071
E	2.1±0.3	0.083
F	10.75±0.3	0.423
D	13.5+0.5/-0.2	0.531



Yantel Corporation

Add: 3F, Building 3, Southern District 2 of Zhongguan Honghualing Industrial Park, Xili, Nanshan, Shenzhen, China
 Tel: 86-755-8355-1886 Fax: 86-755-8355-2533

For detailed performance specs & shopping online see Yantel web site : www.yantel-corp.com