

Fixed Attenuator Chip

- ◆ DC to 8GHz
- ◆ 3dB
- ◆ 2 W

Features

- High attenuation accuracy
- Small VSWR
- Laser trimmed
- Low cost-high performance

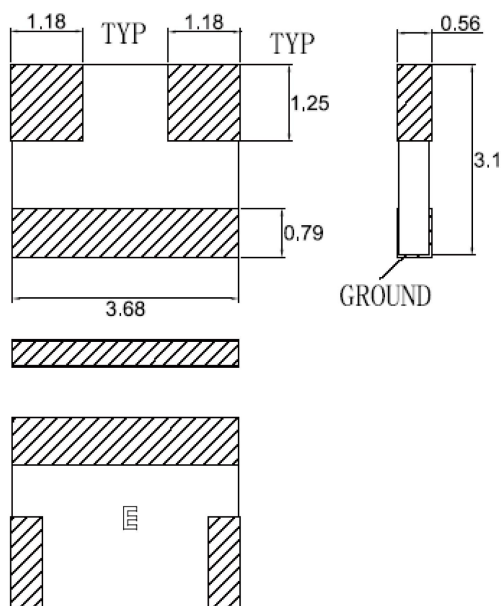
Model No. Description

FACXXX

XX- attenuation: **dB.

XX- frequency range 06: DC to 6GHz
 08: DC to 8GHz
 12: DC to 12.4GHz
 18: DC to 18GHz
 26: DC to 26.5GHz.

Package Outlines



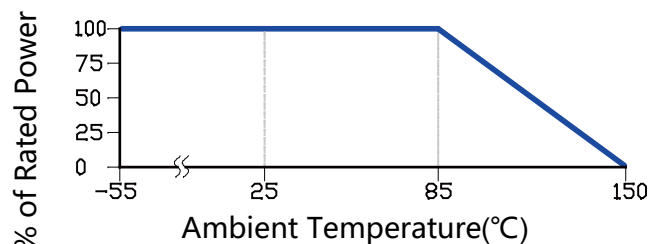
Specifications

| | |
|---------------------------------|--|
| Frequency Range | DC to 8 GHz |
| Attenuation | 3dB |
| Attenuation Accuracy (Typical.) | ±0.5 dB DC to 3GHz +0.7 dB 3 to 6GHz +1.2 dB 6 to 8GHz |

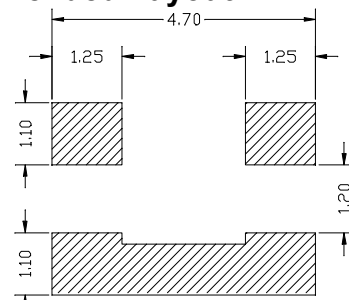
| | |
|-----------------------|-------------------|
| Nominal Impedance | 50 Ohm |
| Rated Input Power | 2 W |
| Operating Temperature | -55 °C to +150 °C |

| FREQ. RANGE (GHz) | VSWR(:1) Typical |
|-------------------|------------------|
| DC to 3 | 1.15 |
| 3 to 6 | 1.25 |
| 6 to 8 | 1.35 |

Average Power Derating Curve



Recommended Layout



Note: all dimensions shown in mm

Yantel Corporation

Add:No.308-322,3F,Building 1,Juchuang Jingu Innovation Park,Wenyuan Road 35,Xili Street,Nanshan,Shenzhen,China
 Tel: 86-755-8355-1886 Fax: 86-755-8355-2533

For detailed performance specs & shopping online see Yantel web site : www.yantel-corp.com