



## Fixed Attenuator Chip

- ◆ DC to 12.4 GHz
- ◆ 3 dB
- ◆ 300mW

### Features

- High attenuation accuracy
- Small VSWR
- Ceramic chip: 96% alumina
- Laser trimmed
- Low cost-high performance

### Model No. Description

**FACXXXX**

- X**- \*:A,Planar \*:B, Triple wrap
- XX**- attenuation: \*\*dB.
- XX**- frequency range 06: DC to 6GHz  
10: DC to 10GHz  
12: DC to 12.4GHz  
18: DC to 18GHz  
26: DC to 26.5GHz.

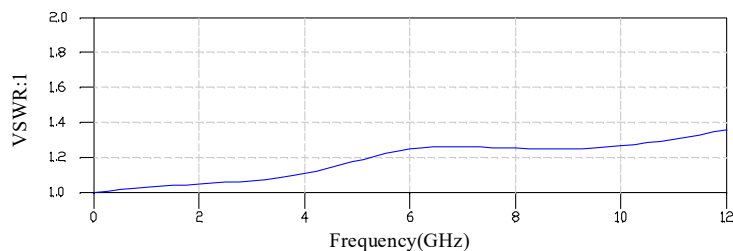
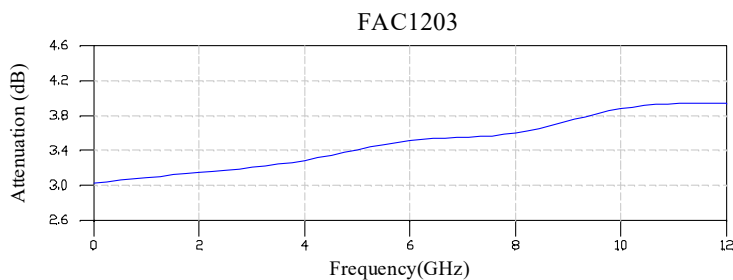
### Specifications

Frequency Range	DC to 12.4 GHz
Attenuation	3 dB
Attenuation Accuracy (Typical.)	±0.3 dB DC to 3 GHz + 0.5 dB 3 to 6 GHz + 0.5 dB 6 to 8.5 GHz + 1.0 dB 8.5 to 12.4 GHz
Nominal Impedance	50 Ohm
Rated Input Power	300mW
Operating Temperature	-55 °C to +150 °C

FREQ. RANGE (GHz)	VSWR(:1) MAX
DC to 3	1.10
3 to 6	1.35
6 to 8.5	1.45
8.5 to 12.4	1.50

### Characteristic

For example the testing curves of FAC1203



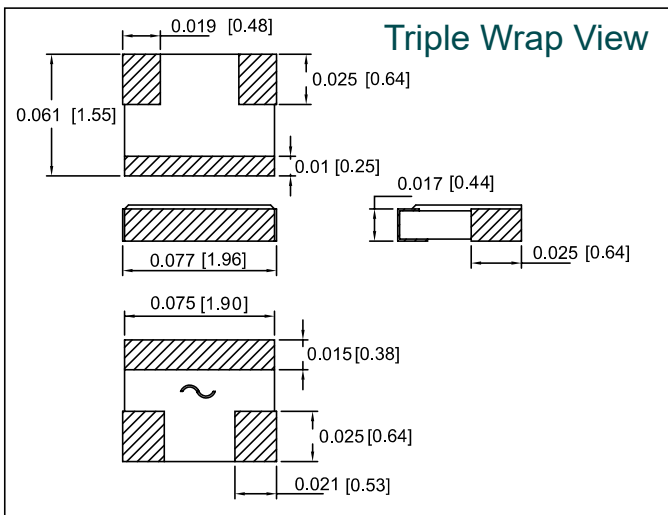
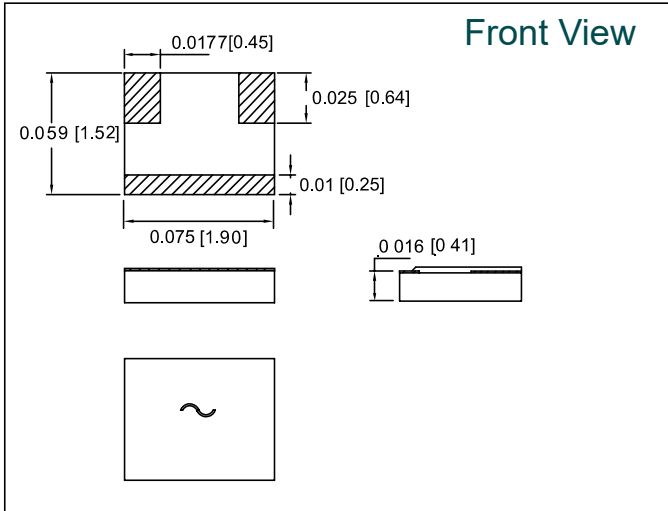
**Yantel Corporation**

Add: No.308-322, 3F, Building 1, Juchuang Jingu Innovation Park, Wenyuan Road 35, Xili Street, Nanshan, Shenzhen, China  
Tel: 86-755-8355-1886 Fax: 86-755-8355-2533

For detailed performance specs & shopping online see Yantel web site : [www.yantel-corp.com](http://www.yantel-corp.com)

### Package Outlines

Unit:inch[mm]



### Recommended Layout

Unit:inch[mm]

