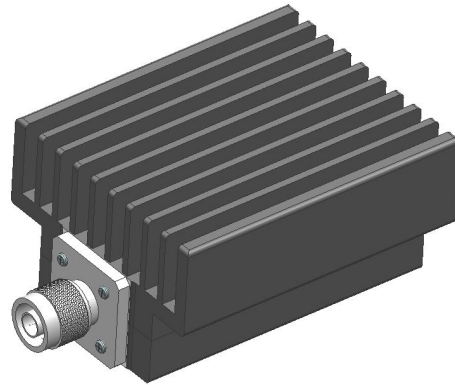


Fixed Attenuator

- ◆ DC to 3GHz
- ◆ 6dB
- ◆ 80 Watt
- ◆ N Type



Features

- High Power
- High attenuation accuracy
- Small VSWR
- Low PIM

Model No. Description

FATXXXXXX

X- power handling:80W.

X- connector type: SMA, N type or SMB connector.

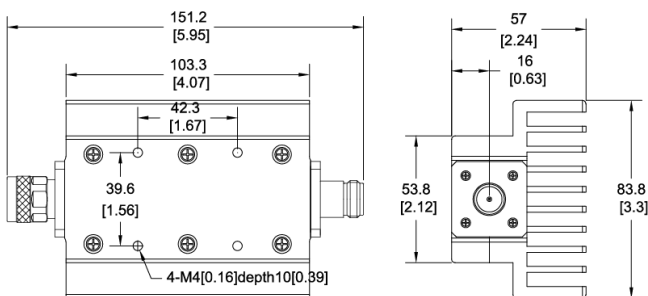
XX- attenuation: **dB.

XX- 03 represents type number.

Specifications

Frequency Range	DC to 3GHz
Attenuation	6dB
Attenuation Accuracy	±0.6dB over DC - 3GHz
Nominal Impedance	50 Ohm
Average Power	80 Watt
Operating Temperature	-55 °C to +125°C

FREQ. RANGE (GHz)	Typical VSWR(:1)	Maximum VSWR(:1)
DC to 1	1.10	
1 to 2	1.20	
2 to 3	1.25	
DC to 3		1.30



Notes:

1. all dimensions shown in mm & inch
2. Dimensions Tolerance ±2%
3. Dimensions and specifications refer to connector type N unless otherwise specified.
4. Custom designs available for other special attenuation value & accuracy

Material & Plating

Parts	Material	Plating(Micro-inch)
Body & Nut	Aluminum	Black Anodize
Contact (female & male)	QSn6.5-0.1	Gold 30
Insulator	Teflon	

AVERAGE POWER: 80W average to 25°C ambient temperature, derated linearly to 8W @ 125°C.

PEAK POWER: 10KW (5μs pulse width with 0.8% duty cycle)

CONNECTOR TYPE: N, N male to N female unidirectional type(Input port is only on the male side, and output port is only on the female side)

Yantel Corporation

Add: 3F, Building 3, Southern District 2 of Zhongguan Honghualing Industrial Park, Xili, Nanshan, Shenzhen, China

Tel: 86-755-8355-1886 Fax: 86-755-8355-2533

For detailed performance specs & shopping online see Yantel web site : www.yantel-corp.com