

Fixed Attenuator

- ◆ DC to 4 GHz
- ◆ 40 dB
- ◆ 2 Watt
- ◆ SMA Stainless Steel Connectors

Features

- High attenuation accuracy
- Small VSWR
- Stainless Steel
- Ceramic chip
- Low cost-high performance

Model No. Description

FATXXXXXX

- X- Material: (no code)=Brass
(S)=Stainless steel
- X- power handling: 2W or 5W.
- X- connector type: SMA, N type or SMB connector.
- XX- attenuation: **dB.
- XX- 06 represents type number.

Specifications

Frequency Range	DC to 4 GHz
Attenuation	40 dB
Attenuation Accuracy (Typ.)	0~2.0 dB over DC - 3 GHz 0~4.0 dB over 3 - 4 GHz

Nominal Impedance	50 Ohm
Average Power	2 Watt
Operating Temperature	-55 °C to +125°C
Storage Temperature	-55 °C to +125°C

Note:

AVERAGE POWER: 2W average to 25°C to 85°C ambient temperature, derated linearly to 0.2W @ 125°C.

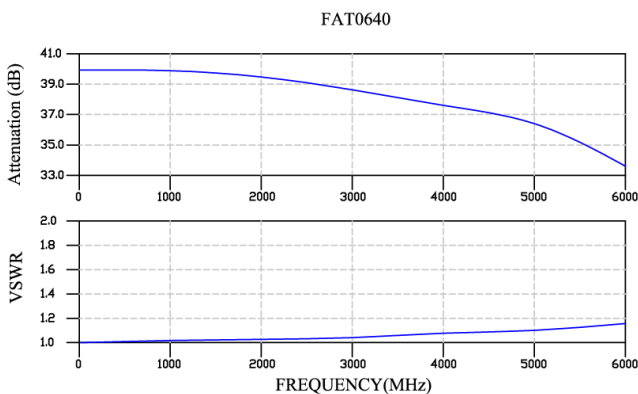
FREQ. RANGE (GHz)	Typical VSWR(:1)	Maximum VSWR(:1)
DC to 3	1.10	
3 to 4	1.15	
DC to 4		1.20

Material & Plating

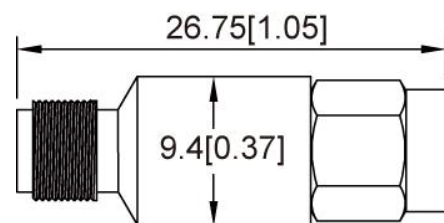
Parts	Material	Plating(Micro-inch)
Body & Nut	Stainless Steel	Passivated
Contact (female & male)	Beryllium Copper	Gold 30
Insulator	Teflon	

Characteristic

For example the testing curves of FAT0640S2



Package Outlines



Package type: SMA

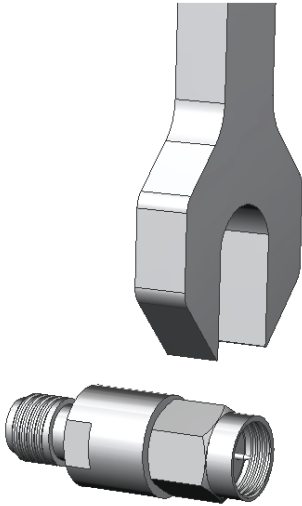
Note: all dimensions shown in mm & inch

Yantel Corporation

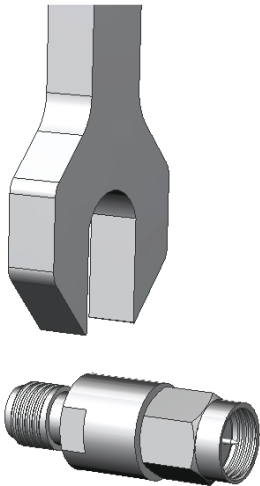
Add: 3F, Building 3, Southern District 2 of Zhongguan Honghualing Industrial Park, Xili, Nanshan, Shenzhen, China
Tel: 86-755-8355-1886 Fax: 86-755-8355-2533

For detailed performance specs & shopping online see Yantel web site : www.yantel-corp.com

Attention



Screw the male of connector to connect/disconnect.



Don't screw the slot of body to connect/disconnect.