

Fixed Attenuator

- ◆ DC to 6 GHz
- ◆ 50 dB
- ◆ 5 Watt
- ◆ N Type Connectors

Features

- High attenuation accuracy
- Small VSWR
- Nickel-plated brass
- Ceramic chip
- Low cost-high performance

Model No. Description

FATXXXXXX

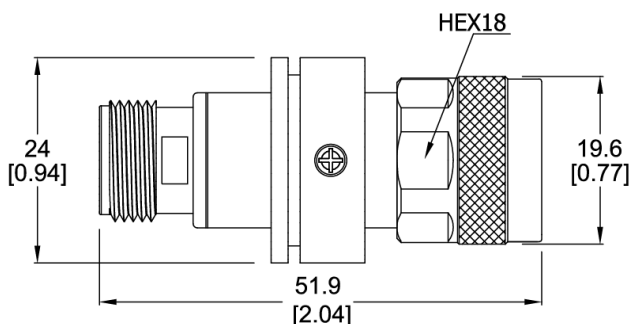
- X- power handling: 2W or 5W.
- X- connector type: SMA, N type or SMB connector.
- XX- attenuation: **dB.
- XX- 06 represents type number

Specifications

Frequency Range	DC to 6 GHz
Attenuation	50 dB
Attenuation Accuracy (Max.)	± 1.5 dB over DC - 6 GHz
Nominal Impedance	50 Ohm
Average Power	5 Watt
Operating Temperature	-55 °C to +125°C
Storage Temperature	-55 °C to +125°C

FREQ. RANGE (GHz)	Typical VSWR(:1)	Maximum VSWR(:1)
DC to 3	1.15	
3 to 4	1.20	
4 to 6	1.25	
DC to 6		1.30

Package Outlines



Package type: N

Note: all dimensions shown in mm & inch

Material & Plating

Parts	Material	Plating(Micro-inch)
Body & Nut	Brass	Ternary alloy
Contact (female & male)	QSn6.5-0.1	Gold 30
Insulator	Teflon	

Note:**Average power at 25°C ambient, derate linearly to 0.5W at 125°C**