

Fixed Attenuator

- ◆ DC to 6 GHz
- ◆ 60 dB
- ◆ 5 Watt
- ◆ N Type Connectors

Features

- High attenuation accuracy
- Small VSWR
- Nickel-plated brass
- Ceramic chip
- Low cost-high performance

Model No. Description

FATXXXXXX

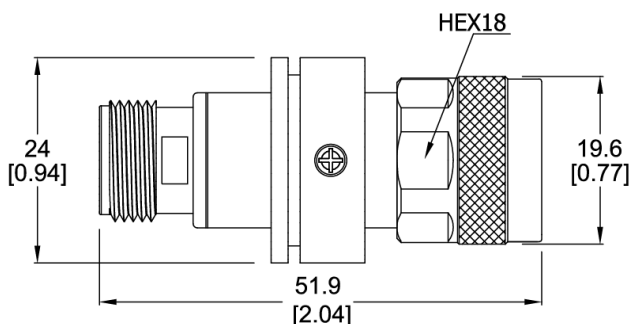
- X- power handling: 2W or 5W.
- X- connector type: SMA, N type or SMB connector.
- XX- attenuation: **dB.
- XX- 06 represents type number

Specifications

| | |
|-----------------------------|--------------------------|
| Frequency Range | DC to 6 GHz |
| Attenuation | 60 dB |
| Attenuation Accuracy (Max.) | ± 1.5 dB over DC - 6 GHz |
| Nominal Impedance | 50 Ohm |
| Average Power | 5 Watt |
| Operating Temperature | -55 °C to +125°C |
| Storage Temperature | -55 °C to +125°C |

| FREQ. RANGE (GHz) | Typical VSWR(:1) | Maximum VSWR(:1) |
|-------------------|------------------|------------------|
| DC to 3 | 1.15 | |
| 3 to 4 | 1.20 | |
| 4 to 6 | 1.25 | |
| DC to 6 | | 1.30 |

Package Outlines



Package type: N

Note: all dimensions shown in mm & inch

Material & Plating

| Parts | Material | Plating(Micro-inch) |
|-------------------------|------------|---------------------|
| Body & Nut | Brass | Ternary alloy |
| Contact (female & male) | QSn6.5-0.1 | Gold 30 |
| Insulator | Teflon | |

Note:**Average power at 25°C ambient, derate linearly to 0.5W at 125°C**