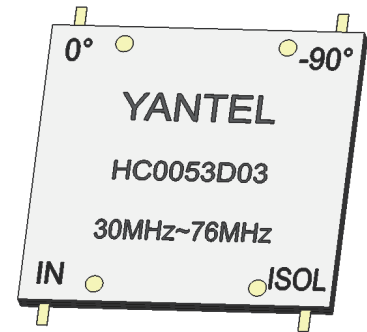


### Description

The HC0053D03 is a low profile, high performance 3dB hybrid coupler in a new easy to use, manufacturing friendly surface mount package. It is designed for DCS & PCS band applications. The HC0053D03 is particularly for balanced power and low noise amplifiers, plus signal designed distribution and other applications where low insertion loss and tight amplitude and phase balance is required. It can be used in high power applications up to 100 Watts.



### Features:

- 30-76 MHz
- High Power
- Very Low Loss
- Tight Amplitude Balance
- High Isolation
- Low VSWR
- Good Repeatability
- RoHS Compliant
- Tape & Reel Package available

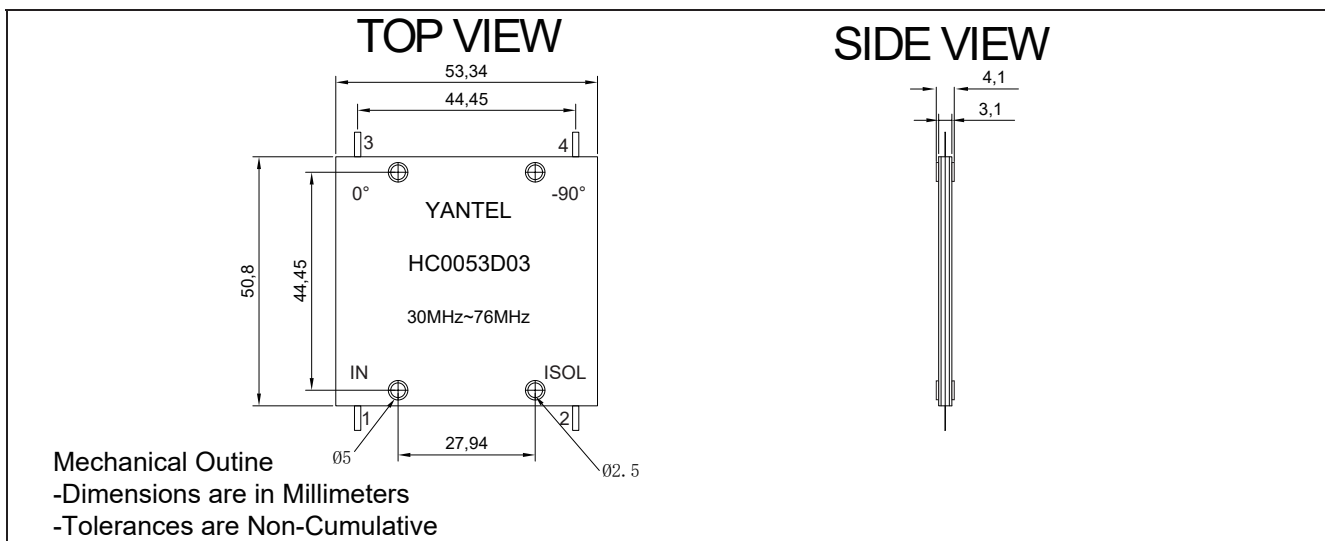
### Electrical Specifications

Frequency	Isolation	Insertion Loss	VSWR
MHz	dB Min	dB Max	Max : 1
30 - 76	21	0.60	1.20
<b>Amplitude Balance</b>	<b>Phase Balance</b>	<b>Power</b>	<b>Operating Temp.</b>
dB Max	Degrees	Avg. CW Watts	°C
± 0.75	90 ± 6.0	100	-55 to +95

### Notes:

1. All the above data are based on specified demo board.
2. Insertion loss: Thru board loss has been removed.

### Mechanical Outline

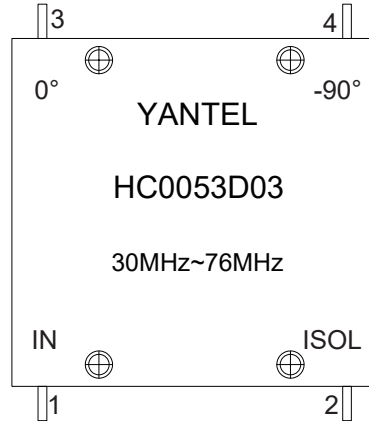


## Yantel Corporation

Add: No.308-322, 3F, Building 1, Juchuang Jingu Innovation Park, Wenyuan Road 35, Xili Street, Nanshan, Shenzhen, China  
 Tel: 86-755-8355-1886 Fax: 86-755-8355-2533

For detailed performance specs & shopping online see Yantel web site : [www.yantel-corp.com](http://www.yantel-corp.com)

### Hybrid Coupler Pin Configuration



PORT CONFIGURATION				
INPUT	1	2	3	4
1	---	ISOLATION	-3dB<0 DEG	-3dB<-90 DEG
2	ISOLATION	---	-3dB<-90 DEG	-3dB<0 DEG
3	-3dB<0 DEG	-3dB<-90 DEG	---	ISOLATION
4	-3dB<-90 DEG	-3dB<0 DEG	ISOLATION	---

### Typical Performance Data (@25)

Frequency (MHz)	Coupling (dB)	Transmission (dB)	Insertion Loss (dB)	Isolation (dB)	Amplitude Balance (dB)	Phase (degree)	Return Loss(dB)			
							S11	S22	S33	S44
30	-3.95	-2.68	-0.26	-28.72	-0.68	-90.15	-31.40	-33.99	-33.80	-31.86
32	-3.69	-2.89	-0.26	-28.73	-0.42	-90.24	-32.24	-35.21	-35.02	-32.51
35	-3.48	-3.09	-0.27	-29.06	-0.20	-90.37	-33.15	-36.75	-36.44	-33.45
37	-3.30	-3.26	-0.27	-29.32	-0.02	-90.51	-34.10	-38.32	-38.14	-34.71
39	-3.15	-3.43	-0.28	-29.70	0.13	-90.63	-35.38	-40.70	-40.17	-35.84
42	-3.03	-3.57	-0.28	-29.90	0.26	-90.78	-37.14	-43.32	-43.36	-37.42
44	-2.93	-3.70	-0.29	-30.16	0.36	-90.94	-39.29	-46.63	-47.13	-39.37
46	-2.86	-3.80	-0.30	-30.82	0.45	-91.05	-41.84	-48.43	-53.17	-42.25
48	-2.80	-3.89	-0.30	-31.27	0.51	-91.21	-46.62	-45.07	-50.55	-43.75
51	-2.77	-3.97	-0.32	-31.71	0.56	-91.37	-55.17	-41.95	-44.79	-44.38
53	-2.74	-4.02	-0.32	-32.12	0.59	-91.56	-52.25	-39.01	-40.90	-42.73
55	-2.74	-4.05	-0.34	-32.53	0.61	-91.74	-45.24	-36.51	-38.10	-40.47
58	-2.76	-4.06	-0.35	-32.82	0.60	-91.94	-40.47	-34.92	-35.48	-37.79
60	-2.78	-4.06	-0.36	-32.88	0.59	-92.14	-37.32	-33.12	-33.88	-35.69
62	-2.83	-4.04	-0.38	-33.02	0.56	-92.39	-34.90	-31.59	-32.02	-33.98
65	-2.89	-4.00	-0.40	-32.73	0.52	-92.65	-32.89	-30.39	-30.55	-32.30
67	-2.97	-3.94	-0.42	-32.07	0.46	-92.90	-31.07	-29.01	-29.22	-30.62
69	-3.08	-3.86	-0.44	-31.23	0.37	-93.20	-29.58	-27.73	-27.94	-29.09
71	-3.21	-3.77	-0.47	-30.20	0.27	-93.54	-27.92	-26.68	-26.68	-27.84
74	-3.36	-3.66	-0.50	-29.08	0.15	-93.91	-26.56	-25.48	-25.54	-26.46
76	-3.54	-3.54	-0.53	-27.82	0.00	-94.37	-25.13	-24.31	-24.33	-25.13

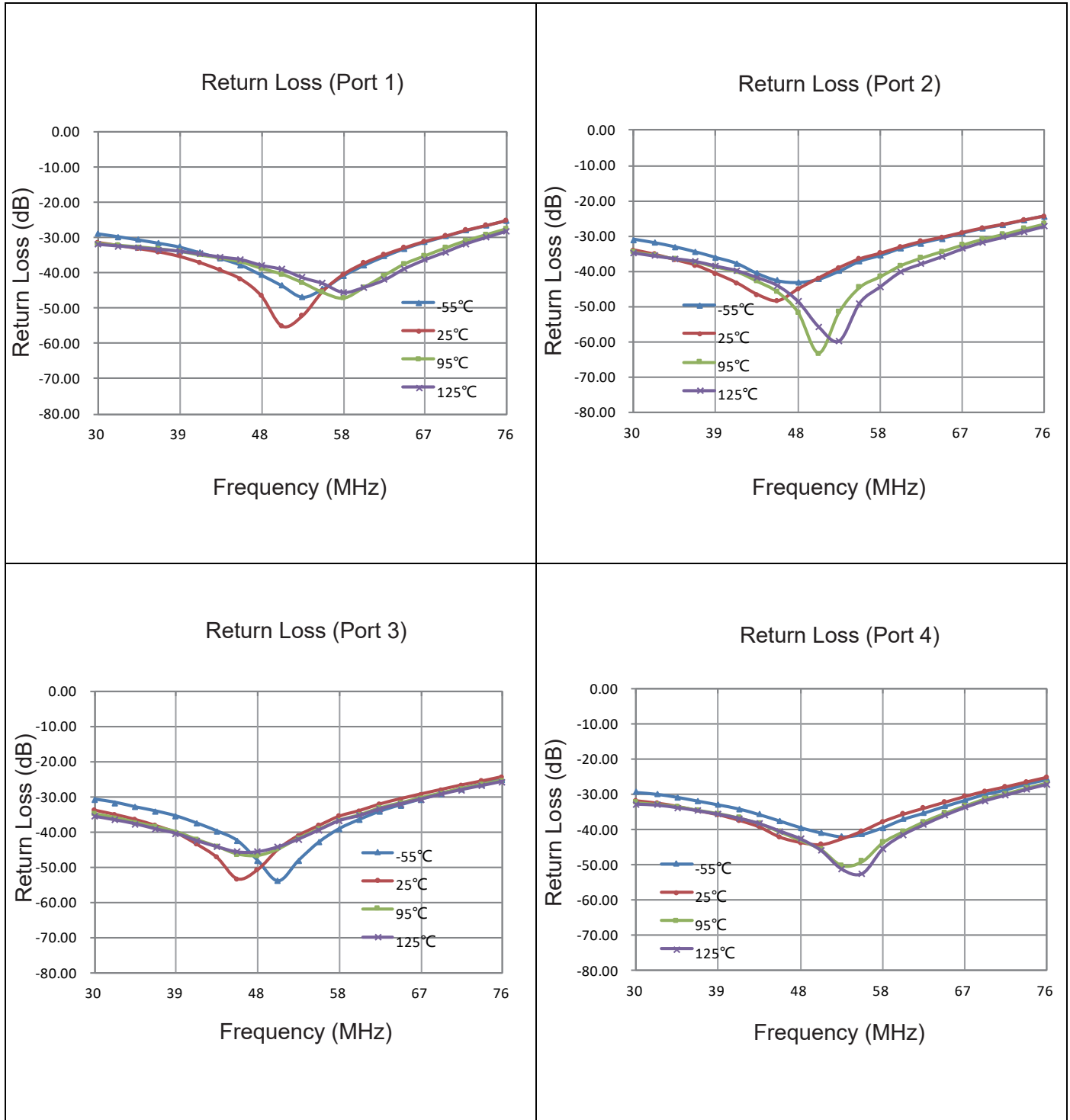
### Yantel Corporation

Add: No.308-322, 3F, Building 1, Juchuang Jingu Innovation Park, Wenyuan Road 35, Xili Street, Nanshan, Shenzhen, China

Tel: 86-755-8355-1886 Fax: 86-755-8355-2533

 For detailed performance specs & shopping online see Yantel web site : [www.yantel-corp.com](http://www.yantel-corp.com)

**Typical Performance (-55°C,25°C,95°C,125°C: 30-76 MHz)**

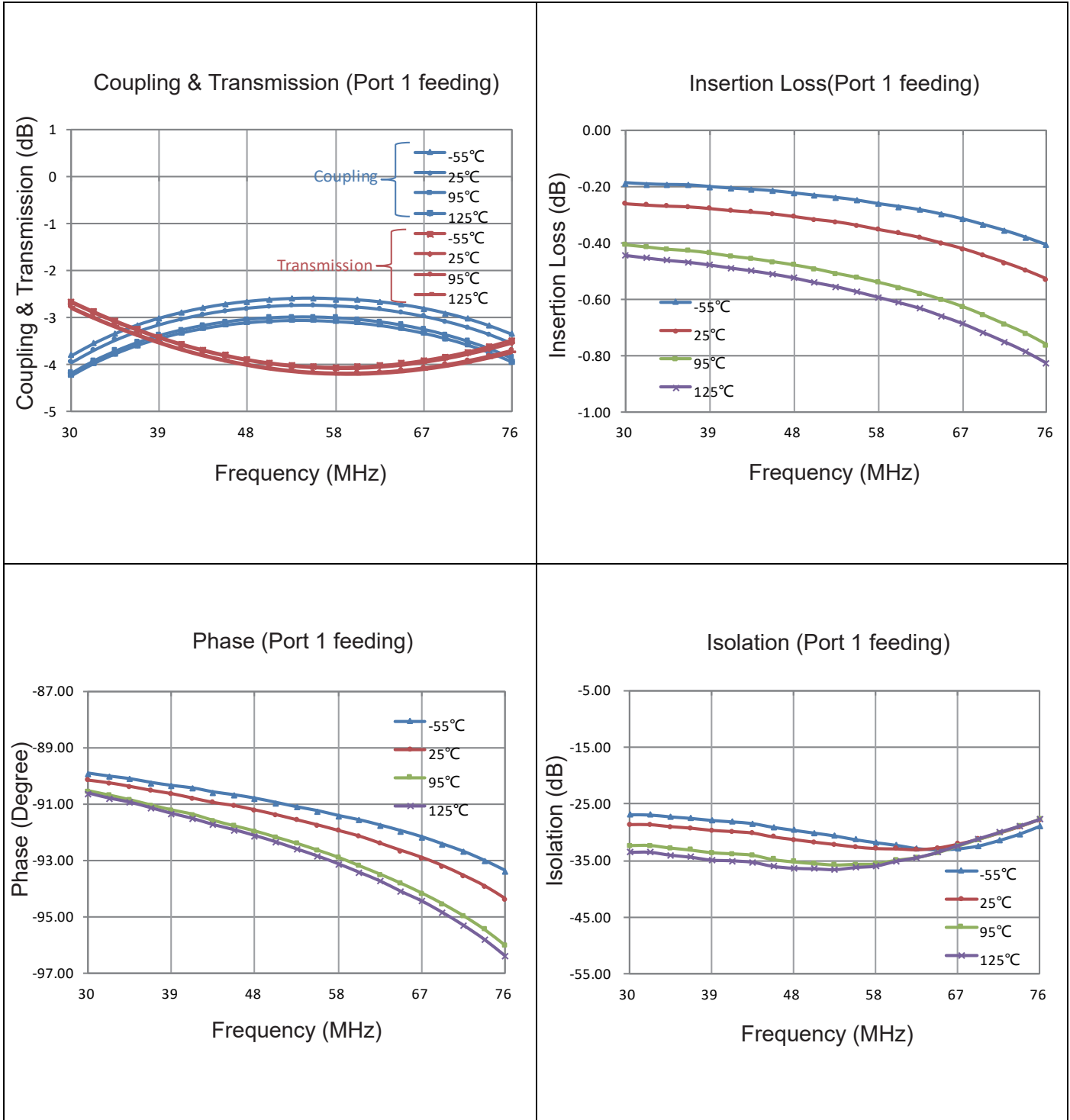


**Yantel Corporation**

Add: No.308-322, 3F, Building 1, Juchuang Jingu Innovation Park, Wenyuan Road 35, Xili Street, Nanshan, Shenzhen China  
 Tel: 86-755-8355-1886 Fax: 86-755-8355-2533

For detailed performance specs & shopping online see Yantel web site : [www.yantel-corp.com](http://www.yantel-corp.com)

**Typical Performance (-55°C,25°C,95°C,125°C: 30-76 MHz)**



**Yantel Corporation**

Add: No.308-322, 3F, Building 1, Juchuang Jingu Innovation Park, Wenyuan Road 35, Xili Street, Nanshan, Shenzhen China  
Tel: 86-755-8355-1886 Fax: 86-755-8355-2533

For detailed performance specs & shopping online see Yantel web site : [www.yantel-corp.com](http://www.yantel-corp.com)

### Definition of Measured Specifications

Parameter	Definition	Mathematical Representation
<b>VSWR</b> (Voltage Standing Wave Ratio)	The impedance match of the coupler to a 50Ω system. A VSWR of 1:1 is optimal.	$VSWR = \frac{V_{max}}{V_{min}}$ Vmax = voltage maxima of a standing wave Vmin = voltage minima of a standing wave
<b>Return Loss</b>	The impedance match of the coupler to a 50Ω system. Return Loss is an alternate means to express VSWR.	$\text{Return Loss (dB)} = 20 \log \frac{VSWR + 1}{VSWR - 1}$
<b>Insertion Loss</b>	The input power divided by the sum of the power at the two output ports.	$\text{Insertion Loss(dB)} = 10 \log \frac{P_{in}}{P_{cpl} + P_{transmission}}$
<b>Isolation</b>	The input power divided by the power at the isolated port.	$\text{Isolation(dB)} = 10 \log \frac{P_{in}}{P_{iso}}$
<b>Phase Balance</b>	The difference in phase angle between the two output ports.	Phase at coupled port – Phase at transmission port
<b>Amplitude Balance</b>	The power at each output divided by the average power of the two outputs.	$10 \log \frac{P_{cpl}}{\left(\frac{P_{cpl} + P_{transmission}}{2}\right)} \quad \text{or} \quad 10 \log \frac{P_{transmission}}{\left(\frac{P_{cpl} + P_{transmission}}{2}\right)}$

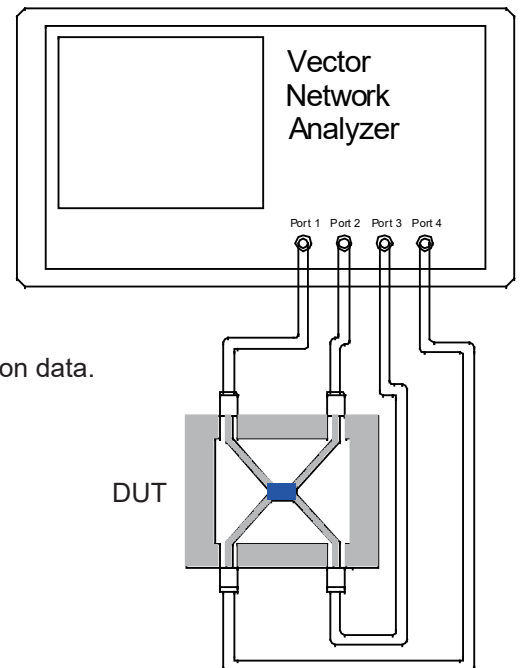
### Test Method

1. Calibrating your vector network analyzer.
2. Connect the VNA 4 Port to DUT respectively.
3. Measure the data of coupling through port 1 to port 4(S41).
4. Measure the data of transmission through port 1 to port 3(S31).
5. Measure the data of isolation through port 1 to port 2(S21).
6. Measure the data of phase port 4 & port 3(port 1 feeding).
7. Measure the data of return loss port 1, port 2, port 3 & port 4.
8. According to the above data to calculate insertion loss, amplitude balance & phase.

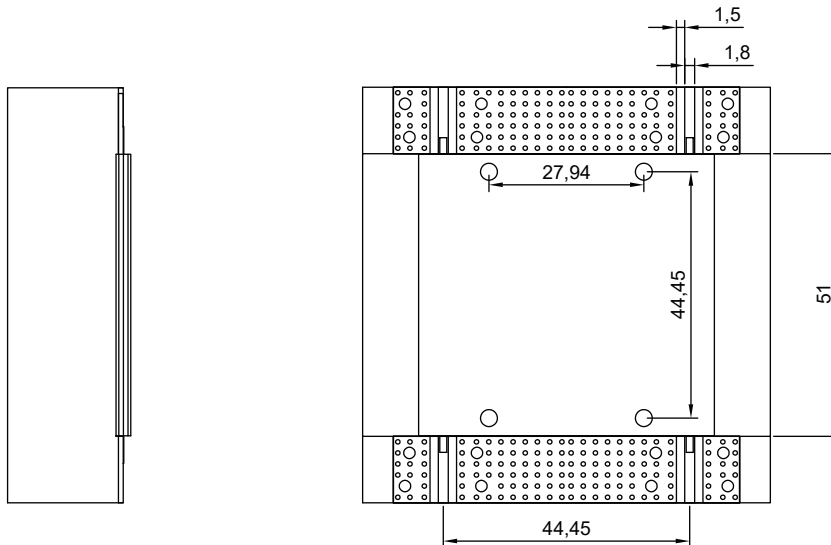
#### Note:

1. When calculating insertion loss at room temperature, demo board loss should be removed from both coupling & transmission data. Please refer to the below table for demo board loss :

Frequency Range(MHz)	Demo Board Loss (dB) @25°C
<b>470-860</b>	0.07
<b>800-1000</b>	0.10
<b>1200-1700</b>	0.15
<b>1700-2000</b>	0.15
<b>2000-2300</b>	0.20
<b>2300-2700</b>	0.25



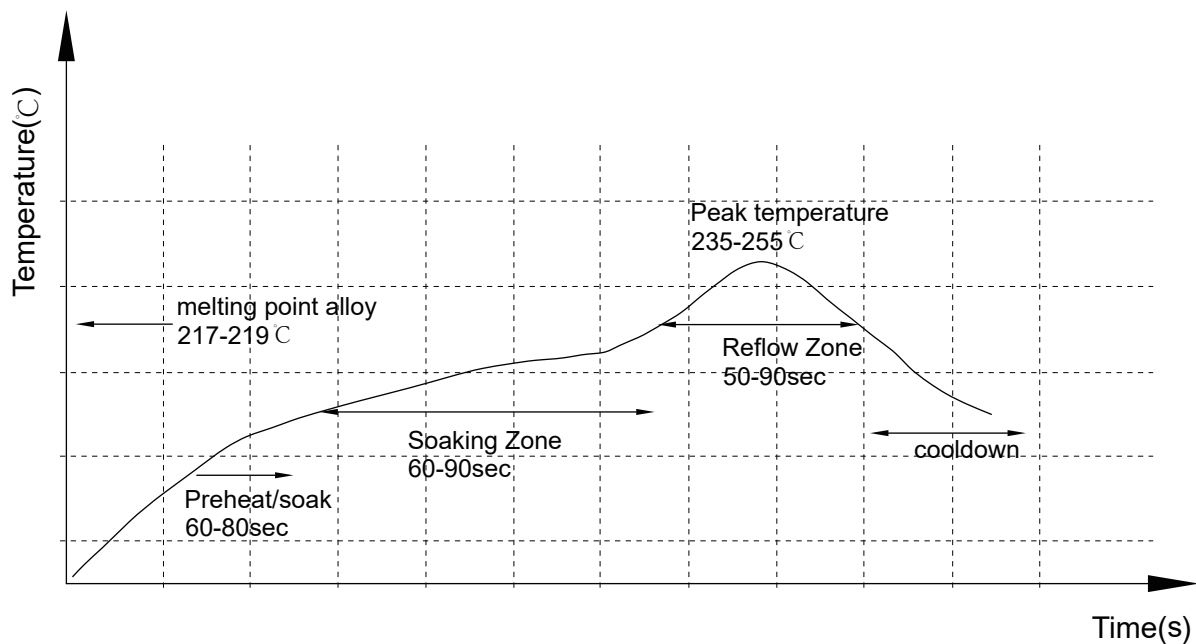
### Recommended PCB Layout



#### NOTE:

TRACE WIDTH IS SHOWN FOR ROGERS RO3003 WITH DIELECTRIC THICKNESS 0.032"  $\pm$  0.0015";  
 COPPER: 1 OZ. EACH SIDE. FOR OTHER MATERIALS TRACE WIDTH MAY NEED TO BE  
 MODIFIED.

### Reflow Profile

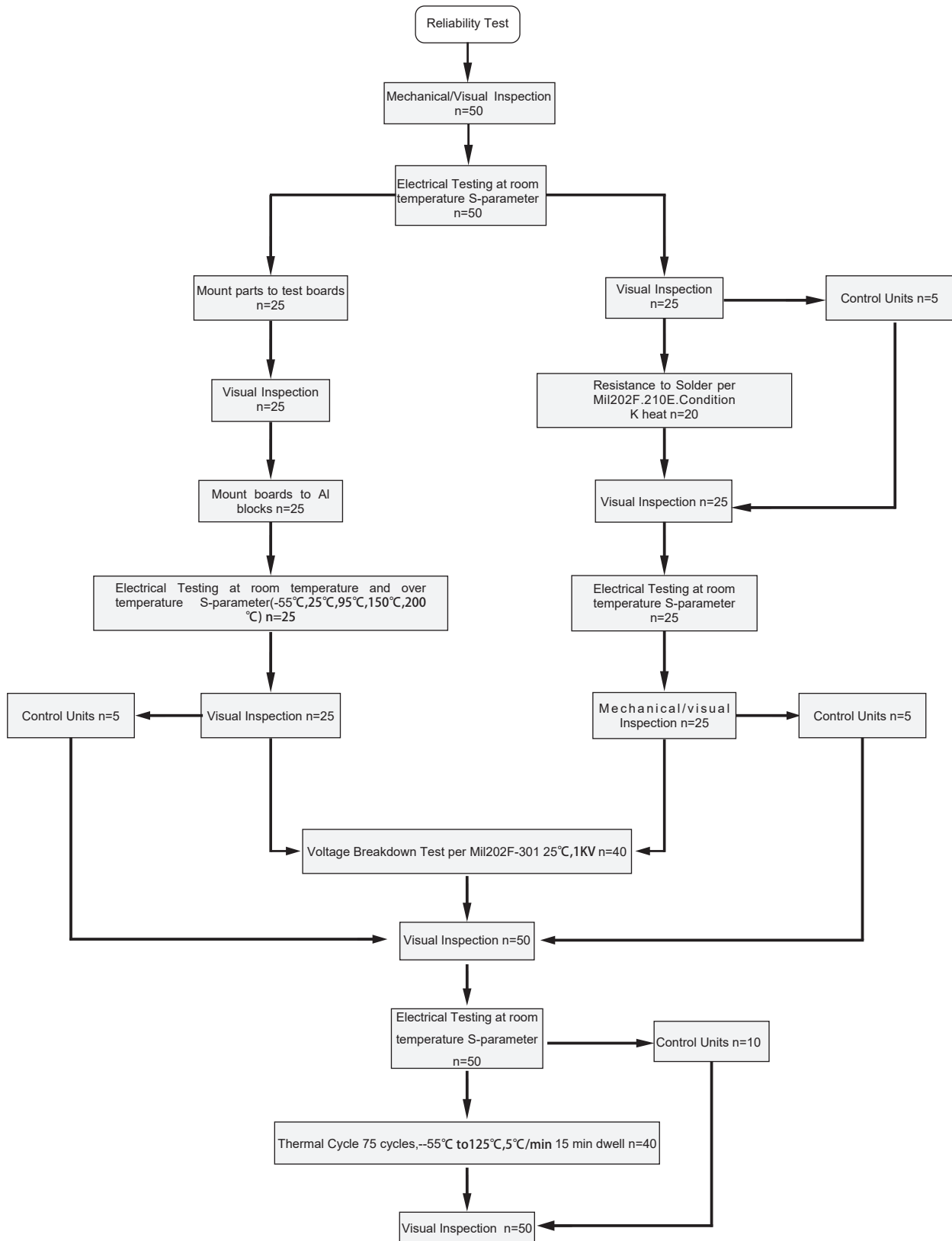


### Yantel Corporation

Add: No.308-322, 3F, Building 1, Juchuang Jingu Innovation Park, Wenyuan Road 35, Xili Street, Nanshan, Shenzhen, China  
 Tel: 86-755-8355-1886 Fax: 86-755-8355-2533

For detailed performance specs & shopping online see Yantel web site : [www.yantel-corp.com](http://www.yantel-corp.com)

### Reliability Test Flow



### Yantel Corporation

Add: No.308-322, 3F, Building 1, Juchuang Jingu Innovation Park, Wenyuan Road 35, Xili Street, Nanshan, Shenzhen, China  
 Tel: 86-755-8355-1886 Fax: 86-755-8355-2533

For detailed performance specs & shopping online see Yantel web site : [www.yantel-corp.com](http://www.yantel-corp.com)

### Reliability Test Flow

