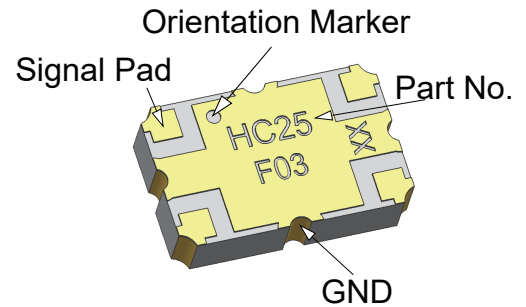


Description

The products are widely used in China and global 4G/5G base station, 5G network coverage, BeiDou navigation antenna, vehicle-mounted high-precision navigation (unmanned) antenna and other applications. The products have miniaturization, low-loss, wide-bandwidth, high power density, high reliability, high cost-effective and other competitive advantages.



Features:

- 2300-2700 MHz
- LTE, WIMAX
- High Power
- Very Low Loss
- Tight Amplitude Balance
- High Isolation
- Low VSWR
- Good Repeatability
- CTE compatible with FR4, G-10, RF-35, RO4350B and polyimide
- Immersion gold, prevent surface oxidation & scratch
- RoHS Compliant

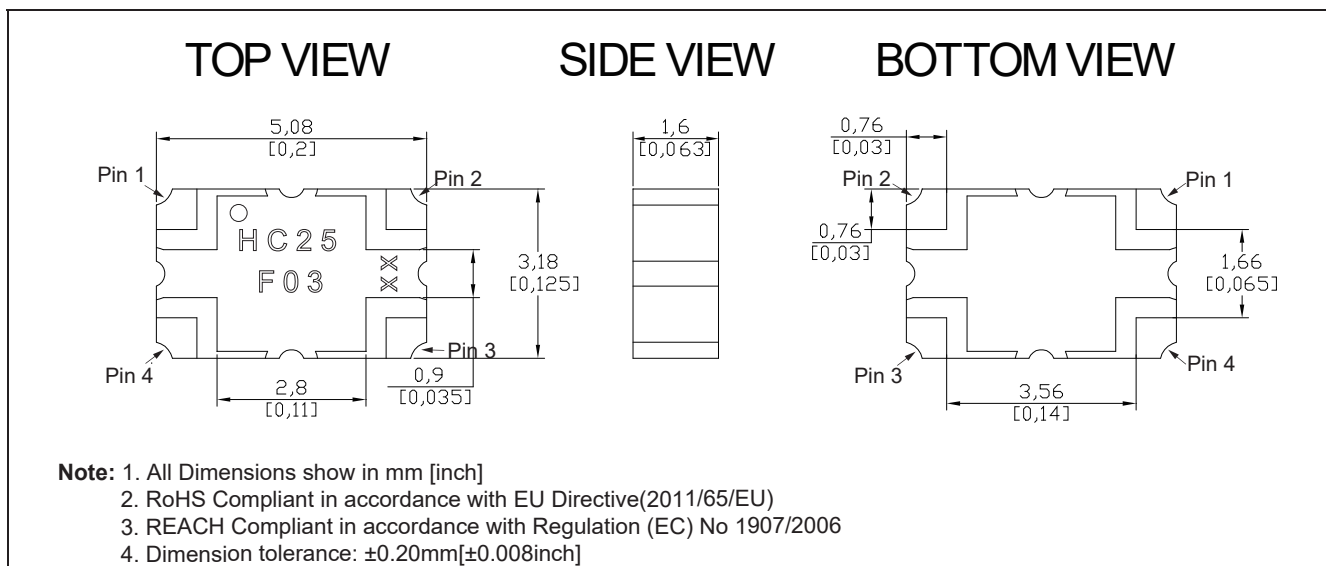
Electrical Specifications

| Frequency | Isolation | Insertion Loss | Return Loss | Amplitude Balance |
|----------------------|-------------------------------|------------------------|-------------|-------------------|
| <i>MHz</i> | <i>dB Min</i> | <i>dB Max</i> | <i>dB</i> | <i>dB Max</i> |
| 2100 -2300 | 20 | 0.20 | 20 | ± 0.45 |
| 2300 -2700 | 20 | 0.30 | 20 | ± 0.30 |
| Phase Balance | Power | Operating Temp. | | |
| <i>Degrees</i> | <i>Avg. CW Watts at 95 °C</i> | <i>°C</i> | | |
| 90 ± 3.0 | 20 | -55 to +140 | | |
| 90 ± 3.0 | 20 | -55 to +140 | | |

Notes:

1. All the above data are based on specified demo board.
2. Insertion loss: Thru board loss has been removed.

Mechanical Outline



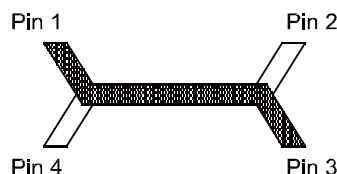
Yantel Corporation

Add: 3F, Building 3, Southern District 2 of Zhongguan Honghualing Industrial Park, Xili, Nanshan, Shenzhen, China
 Tel: 86-755-8355-1886 Fax: 86-755-8355-2533

For detailed performance specs & shopping online see Yantel web site : www.yantel-corp.com

Hybrid Coupler Pin Configuration

The HC25F03 has an orientation marker to denote Pin1. Once port one has been identified the other ports are known automatically. Please see the chart below for clarification:



| Configuration | Pin 1 | Pin 2 | Pin 3 | Pin 4 |
|---------------|---------------------------|---------------------------|---------------------------|---------------------------|
| Splitter | Input | Isolated | -3dB $\angle \theta - 90$ | -3dB $\angle \theta$ |
| Splitter | Isolated | Input | -3dB $\angle \theta$ | -3dB $\angle \theta - 90$ |
| Splitter | -3dB $\angle \theta - 90$ | -3dB $\angle \theta$ | Input | Isolated |
| Splitter | -3dB $\angle \theta$ | -3dB $\angle \theta - 90$ | Isolated | Input |
| *Combiner | A $\angle \theta - 90$ | A $\angle \theta$ | Isolated | Output |
| *Combiner | A $\angle \theta$ | A $\angle \theta - 90$ | Output | Isolated |
| *Combiner | Isolated | Output | A $\angle \theta - 90$ | A $\angle \theta$ |
| *Combiner | Output | Isolated | A $\angle \theta$ | A $\angle \theta - 90$ |

*Note: "A" is the amplitude of the applied signals. When two quadrature signals with equal amplitudes are applied to the coupler as described in the table, they will combine at the output port. If the amplitudes are not equal, some of the applied energy will be directed to the isolated port.

Typical Performance Data (@25°C)

| Frequency (MHz) | Coupling (dB) | Transmission (dB) | Insertion Loss (dB) | Isolation (dB) | Amplitude Balance (dB) | Phase (degree) | Return Loss(dB) | | | |
|-----------------|---------------|-------------------|---------------------|----------------|------------------------|----------------|-----------------|--------|--------|--------|
| | | | | | | | S11 | S22 | S33 | S44 |
| 2100 | -3.50 | -2.71 | -0.08 | -29.92 | -0.41 | -89.58 | -29.28 | -26.29 | -42.62 | -25.08 |
| 2130 | -3.50 | -2.77 | -0.11 | -30.62 | -0.38 | -89.56 | -28.98 | -27.15 | -40.86 | -25.43 |
| 2160 | -3.50 | -2.80 | -0.13 | -31.32 | -0.36 | -89.46 | -28.67 | -28.11 | -38.67 | -25.85 |
| 2190 | -3.42 | -2.77 | -0.07 | -32.05 | -0.34 | -89.52 | -28.29 | -29.08 | -36.48 | -26.35 |
| 2220 | -3.45 | -2.83 | -0.12 | -32.63 | -0.32 | -89.52 | -27.73 | -30.30 | -34.89 | -26.71 |
| 2250 | -3.47 | -2.88 | -0.15 | -33.12 | -0.31 | -89.55 | -27.05 | -32.00 | -33.20 | -26.93 |
| 2280 | -3.39 | -2.84 | -0.10 | -33.53 | -0.28 | -89.47 | -26.53 | -34.05 | -31.68 | -27.36 |
| 2310 | -3.42 | -2.90 | -0.14 | -33.67 | -0.27 | -89.38 | -25.99 | -36.22 | -30.73 | -27.57 |
| 2340 | -3.42 | -2.94 | -0.16 | -33.56 | -0.25 | -89.66 | -25.49 | -39.98 | -29.75 | -27.68 |
| 2370 | -3.34 | -2.92 | -0.11 | -33.25 | -0.22 | -89.40 | -24.92 | -47.21 | -28.99 | -27.61 |
| 2400 | -3.37 | -2.95 | -0.14 | -32.75 | -0.22 | -89.16 | -24.41 | -48.90 | -28.36 | -27.45 |
| 2430 | -3.42 | -2.99 | -0.19 | -32.13 | -0.22 | -89.20 | -24.07 | -44.21 | -27.73 | -27.35 |
| 2460 | -3.33 | -2.95 | -0.13 | -31.40 | -0.19 | -89.19 | -23.41 | -38.02 | -27.23 | -26.79 |
| 2490 | -3.39 | -2.96 | -0.16 | -30.71 | -0.22 | -88.93 | -22.99 | -34.86 | -26.59 | -26.25 |
| 2520 | -3.41 | -2.97 | -0.17 | -29.89 | -0.23 | -89.31 | -22.63 | -32.35 | -26.01 | -25.75 |
| 2550 | -3.37 | -2.96 | -0.15 | -29.14 | -0.21 | -89.05 | -22.05 | -30.55 | -25.54 | -25.15 |
| 2580 | -3.38 | -2.95 | -0.15 | -28.42 | -0.22 | -88.91 | -21.68 | -28.92 | -25.05 | -24.56 |
| 2610 | -3.43 | -2.98 | -0.19 | -27.74 | -0.23 | -89.04 | -21.29 | -27.58 | -24.50 | -23.86 |
| 2640 | -3.45 | -3.00 | -0.21 | -27.11 | -0.23 | -89.05 | -20.91 | -26.49 | -24.10 | -23.27 |
| 2670 | -3.50 | -3.03 | -0.25 | -26.40 | -0.24 | -88.91 | -20.50 | -25.35 | -23.69 | -22.70 |
| 2700 | -3.52 | -3.04 | -0.26 | -25.86 | -0.25 | -88.91 | -20.18 | -24.39 | -23.37 | -22.15 |

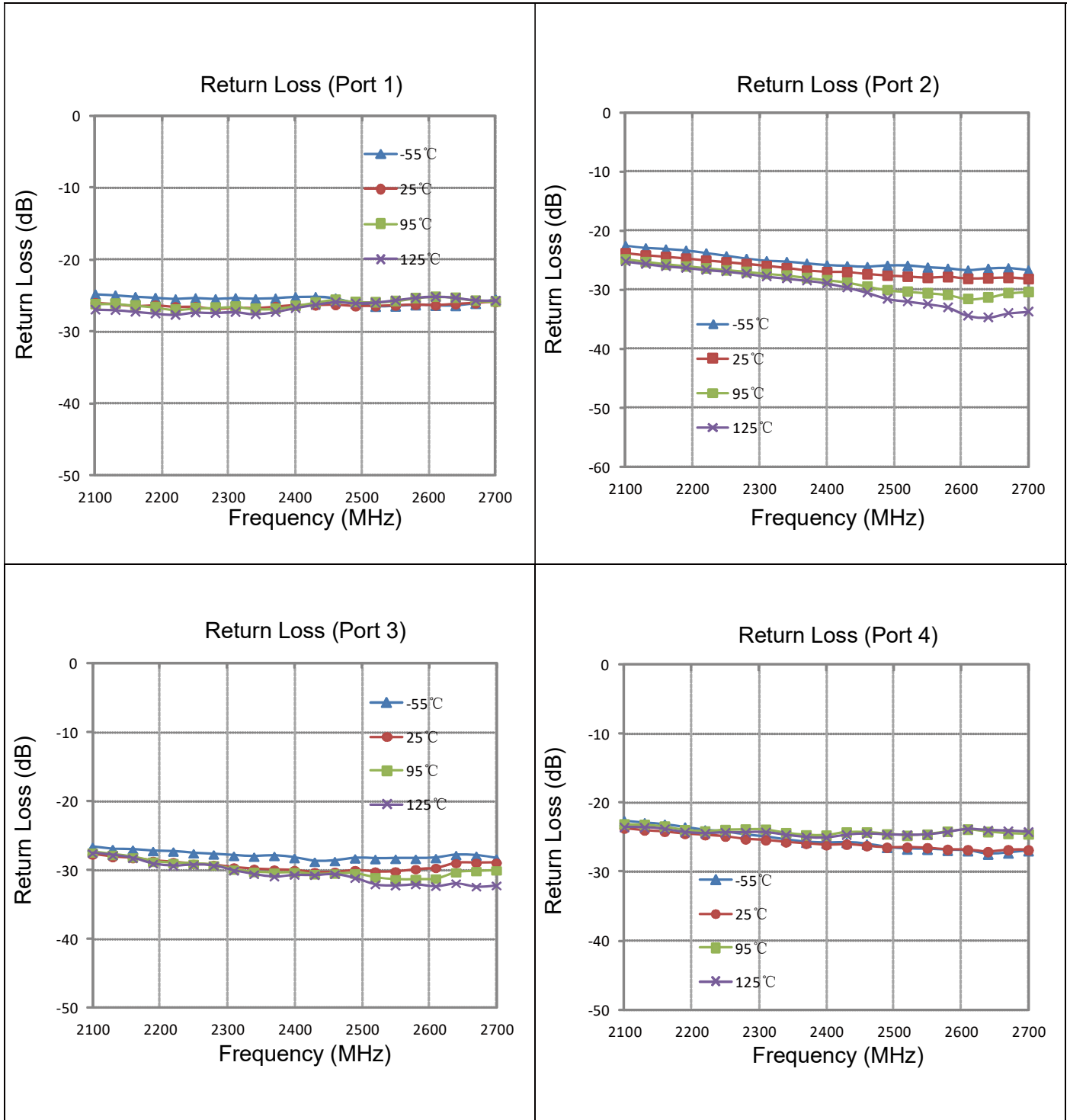
Yantel Corporation

Add: 3F, Building 3, Southern District 2 of Zhongguan Honghualing Industrial Park, Xili, Nanshan, Shenzhen, China

Tel: 86-755-8355-1886 Fax: 86-755-8355-2533

For detailed performance specs & shopping online see Yantel web site : www.yantel-corp.com

Typical Performance (-55°C, 25°C, 95°C, 125°C: 2100-2700 MHz)

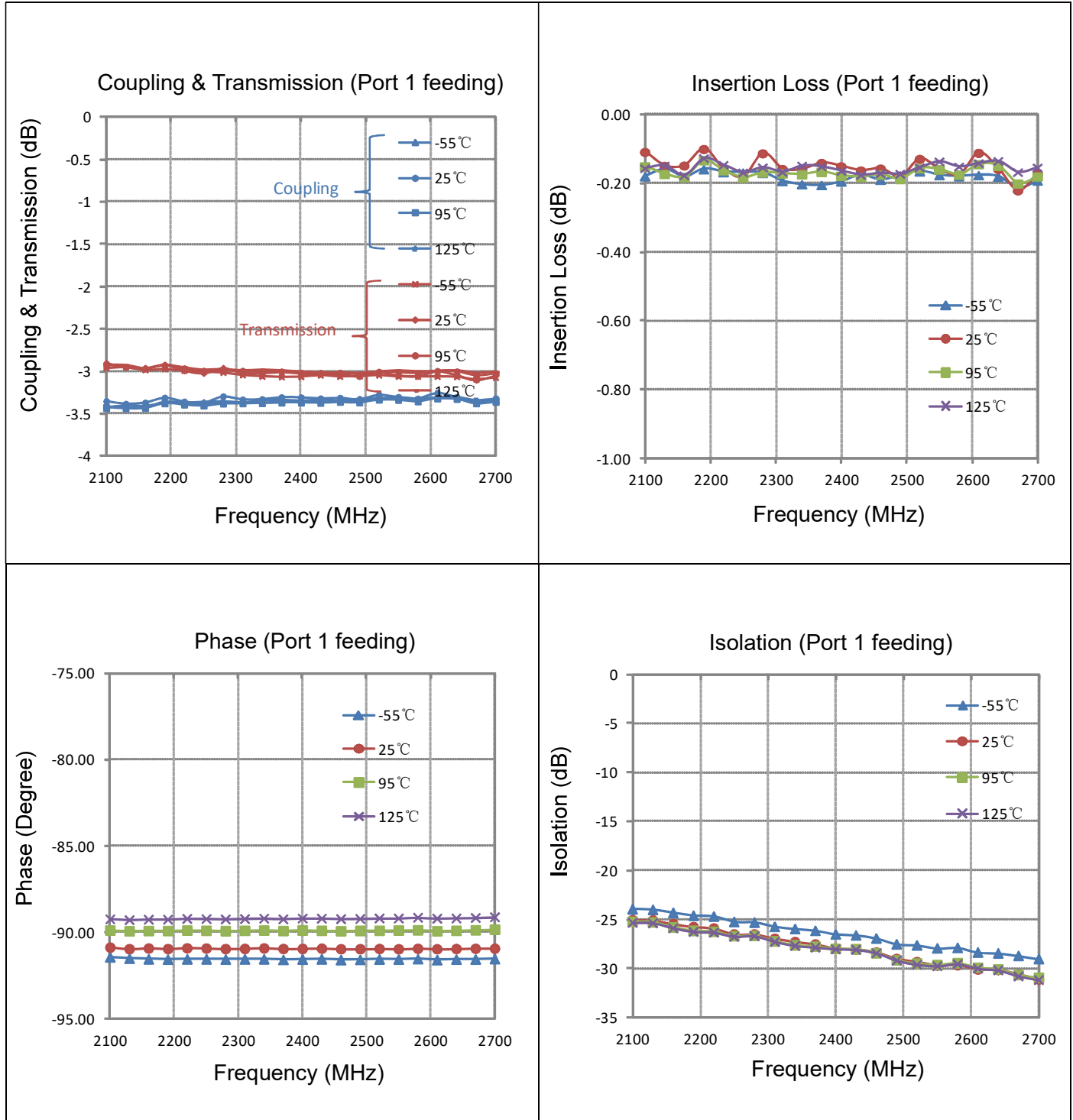


Yantel Corporation

Add: 3F, Building 3, Southern District 2 of Zhongguan Honghualing Industrial Park, Xili, Nanshan, Shenzhen, China
 Tel: 86-755-8355-1886 Fax: 86-755-8355-2533

For detailed performance specs & shopping online see Yantel web site : www.yantel-corp.com

Typical Performance (-55°C, 25°C, 95°C, 125°C: 2100-2700 MHz)



Yantel Corporation

Add: 3F, Building 3, Southern District 2 of Zhongguan Honghualing Industrial Park, Xili, Nanshan, Shenzhen, China
 Tel: 86-755-8355-1886 Fax: 86-755-8355-2533

For detailed performance specs & shopping online see Yantel web site : www.yantel-corp.com

Definition of Measured Specifications

| Parameter | Definition | Mathematical Representation |
|--|--|--|
| VSWR (Voltage Standing Wave Ratio) | The impedance match of the coupler to a 50Ω system. A VSWR of 1:1 is optimal. | $VSWR = \frac{V_{max}}{V_{min}}$ Vmax = voltage maxima of a standing wave Vmin = voltage minima of a standing wave |
| Return Loss | The impedance match of the coupler to a 50Ω system. Return Loss is an alternate means to express VSWR. | $\text{Return Loss (dB)} = 20 \log \frac{VSWR + 1}{VSWR - 1}$ |
| Insertion Loss | The input power divided by the sum of the power at the two output ports. | $\text{Insertion Loss (dB)} = 10 \log \frac{P_{in}}{P_{cpl} + P_{transmission}}$ |
| Isolation | The input power divided by the power at the isolated port. | $\text{Isolation (dB)} = 10 \log \frac{P_{in}}{P_{iso}}$ |
| Phase Balance | The difference in phase angle between the two output ports. | Phase at coupled port – Phase at transmission port |
| Amplitude Balance | The power at each output divided by the average power of the two outputs. | $10 \log \left(\frac{P_{cpl}}{P_{cpl} + P_{transmission}} \right) \quad \text{or} \quad 10 \log \left(\frac{P_{transmission}}{P_{cpl} + P_{transmission}} \right)$ |

Test Method

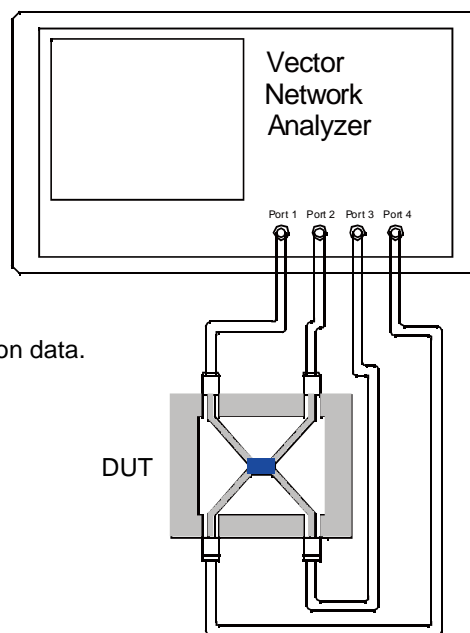
1. Calibrating your vector network analyzer.
2. Connect the VNA 4 Port to DUT respectively.
3. Measure the data of coupling through port 1 to port 4(S41).
4. Measure the data of transmission through port 1 to port 3(S31).
5. Measure the data of isolation through port 1 to port 2(S21).
6. Measure the data of phase port 4 & port 3(port 1 feeding).
7. Measure the data of return loss port 1, port 2, port 3 & port 4.
8. According to the above data to calculate insertion loss, amplitude balance & phase.

Note:

1. When calculating insertion loss at room temperature, demo board loss should be removed from both coupling & transmission data.

Please refer to the below table for demo board loss :

| Frequency Range(MHz) | Demo Board Loss (dB) @25°C |
|----------------------|----------------------------|
| 470-860 | 0.07 |
| 800-1000 | 0.10 |
| 1200-1700 | 0.15 |
| 1700-2000 | 0.15 |
| 2000-2300 | 0.20 |
| 2300-2700 | 0.25 |



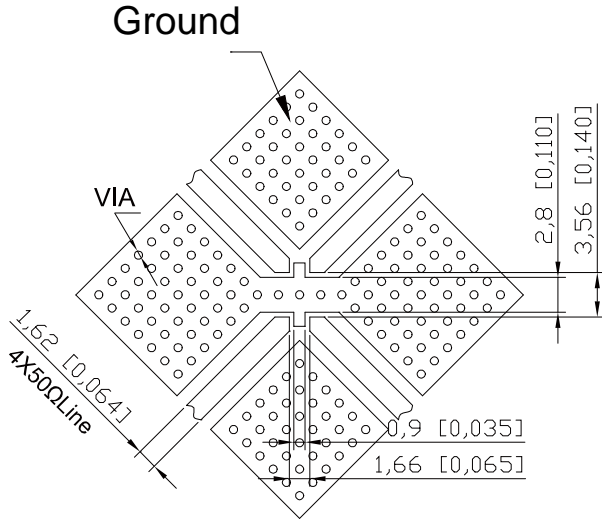
Yantel Corporation

Add: 3F, Building 3, Southern District 2 of Zhongguan Honghualing Industrial Park, Xili, Nanshan, Shenzhen, China

Tel: 86-755-8355-1886 Fax: 86-755-8355-2533

For detailed performance specs & shopping online see Yantel web site : www.yantel-corp.com

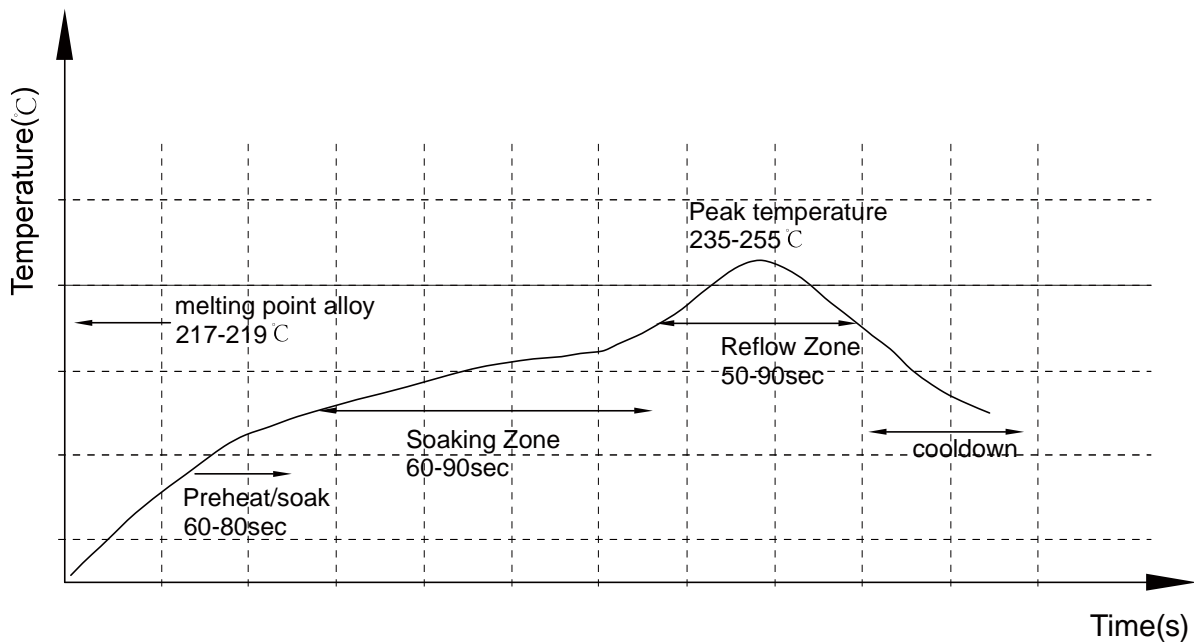
Recommended PCB Layout



NOTE:

1. 50Ω line width is shown above designing from $\epsilon_r=3.66$ THK=0.762mm copper 1 OZ
2. Bottom side of the PCB is continuous ground plane.
3. All dimensions shown in mm [inch].

Reflow Profile

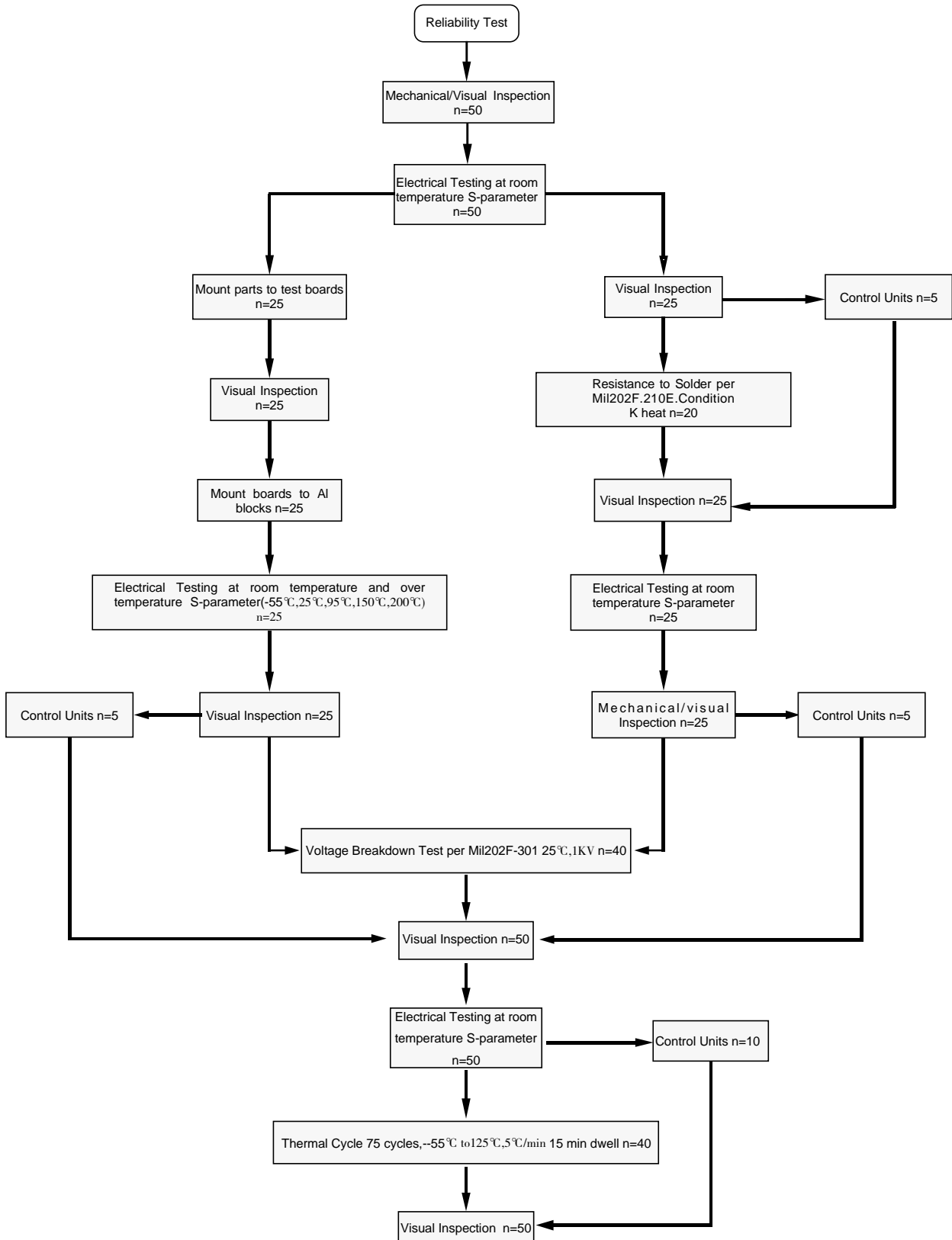


Yantel Corporation

Add: 3F, Building 3, Southern District 2 of Zhongguan Honghualing Industrial Park, Xili, Nanshan, Shenzhen, China
Tel: 86-755-8355-1886 Fax: 86-755-8355-2533

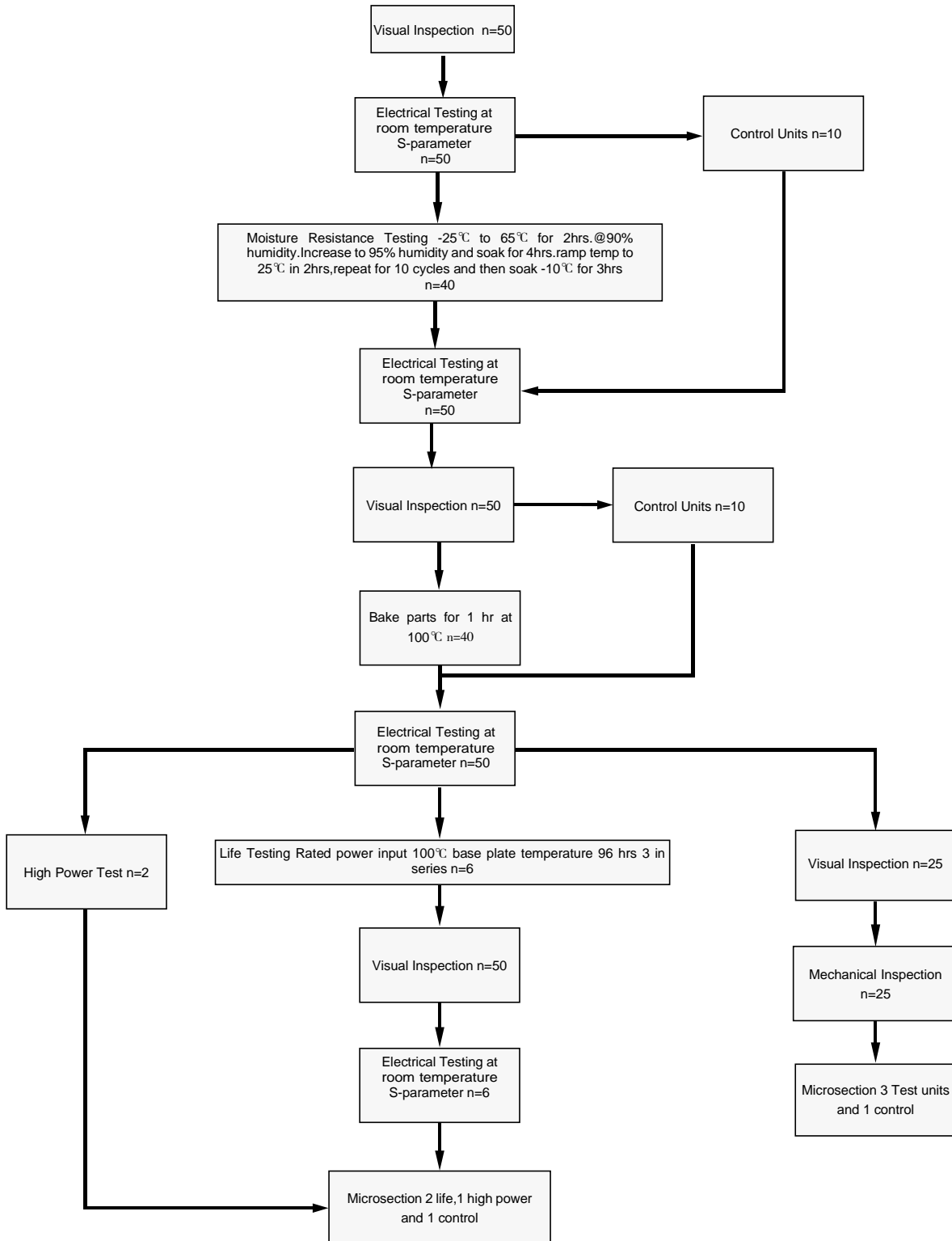
For detailed performance specs & shopping online see Yantel web site : www.yantel-corp.com

Reliability Test Flow



Yantel Corporation

Reliability Test Flow



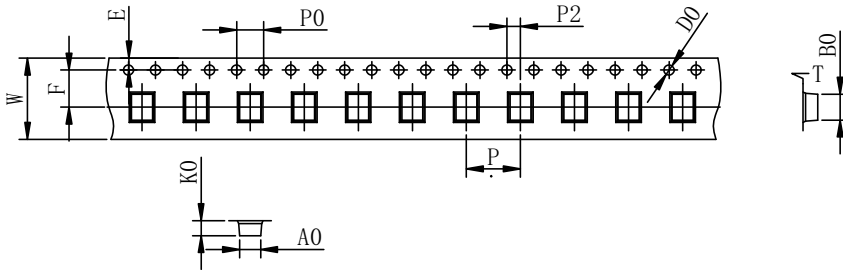
Yantel Corporation

Add: 3F, Building 3, Southern District 2 of Zhongguan Honghualing Industrial Park, Xili, Nanshan, Shenzhen, China
Tel: 86-755-8355-1886 Fax: 86-755-8355-2533

For detailed performance specs & shopping online see Yantel web site : www.yantel-corp.com

Tape and Reel Drawing

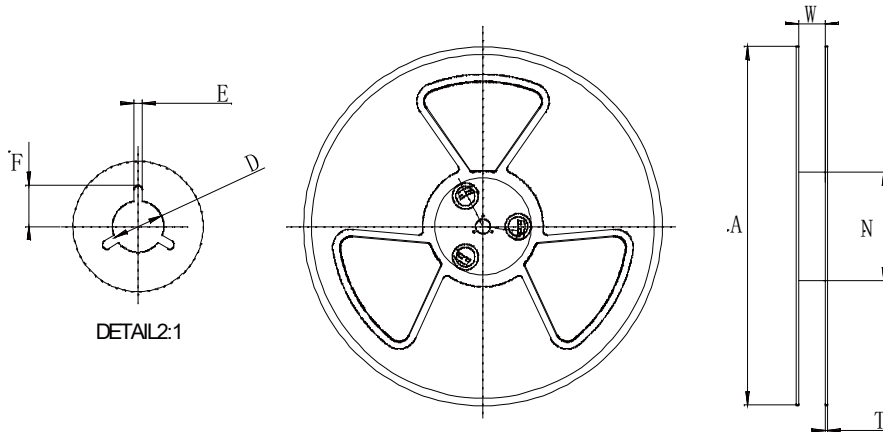
Feeding Direction



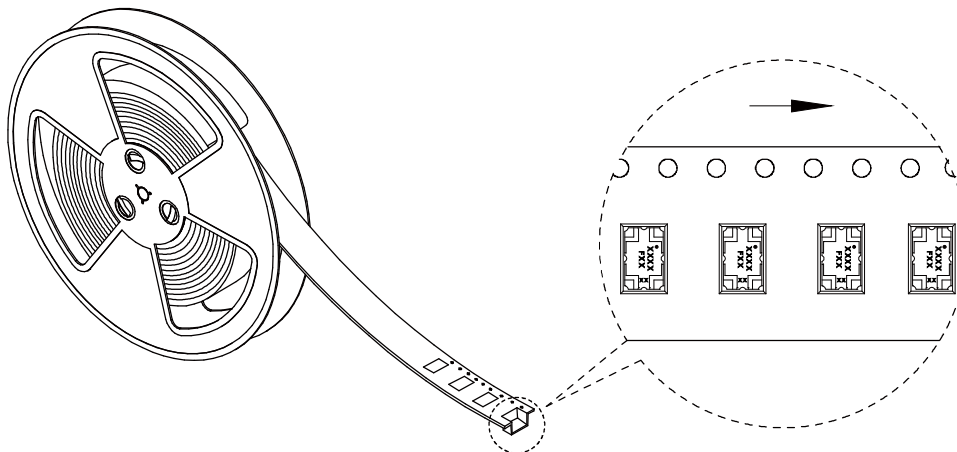
| ITEM | W | A0 | B0 | K0 | K1 | P | F | E | D | P0 | P2 | t | 7' |
|---------|----------------|----------------|----------------|----------------|----------------|----------------|----------------|----------------|----------------|----------------|----------------|----------------|---------|
| DIM(mm) | 12.0 | 3.45 | 5.35 | 1.5 | | 8 | 5.5 | 1.75 | 1.50 | 4.00 | 2.00 | 0.30 | P/R |
| TOLE | +0.30 -0.30 | +0.10 -0.10 | +0.10 -0.10 | +0.10 -0.10 | +0.10 -0.10 | +0.10 -0.10 | +0.10 -0.10 | +0.10 -0.10 | +0.10 -0.00 | +0.10 -0.10 | +0.10 -0.10 | +0.05 -0.05 | 1000pcs |

Notice:

- A.10 Sprocket hole pitch cumulative tolerance is 0.2mm.
- B. Carrier camber shall be not more than 1mm per 100mm through a length of 250mm.
- C. All dimensions meet EIA-418-B requirements.
- D. A0 & B0 measured as indicated.
- E. K0 measured from a place on the inside bottom of the pocket to top surface of carrier.
- F. Material: PE 100
- G. Thickness: 0.30±0.05mm
- H. 1000 units (maximum) / T&R



| Symbol | Dimensions(mm) |
|--------|----------------|
| W | 12.5±0.4 |
| A | 177±0.5 |
| N | 63±0.3 |
| T | 1.8±0.2 |
| E | 2.1±0.3 |
| F | 10.75±0.3 |
| D | 13.5+0.5/-0.2 |



Yantel Corporation

Add: 3F, Building 3, Southern District 2 of Zhongguan Honghualing Industrial Park, Xili, Nanshan, Shenzhen, China

Tel: 86-755-8355-1886 Fax: 86-755-8355-2533

For detailed performance specs & shopping online see Yantel web site : www.yantel-corp.com