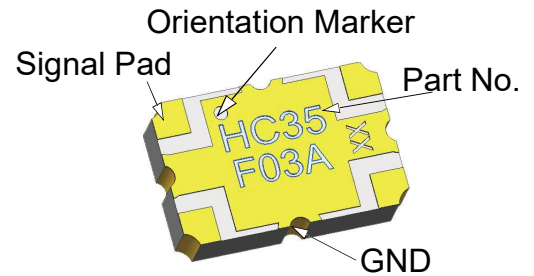


Description

The HC35F03A is a low profile, high performance 3dB hybrid coupler in a new easy to use, manufacturing friendly surface mount package. The HC35F03A is designed particularly for balanced power and low noise amplifiers, plus signal distribution and other applications where low insertion loss and tight amplitude and phase balance is required. It can be used in high power applications up to 25 watts.

Parts have been subjected to rigorous qualification testing and they are manufactured using materials with coefficients of thermal expansion (CTE) compatible with common substrates such as FR4, G-10, RF35, RO4003 and polyimide. Produced with 6 of 6 RoHS compliant tin immersion finish



Features:

- 3200-4200 MHz
- High Power
- Very Low Loss
- Tight Amplitude Balance
- High Isolation
- Production Friendly
- Tape and Reel
- Lead-Free

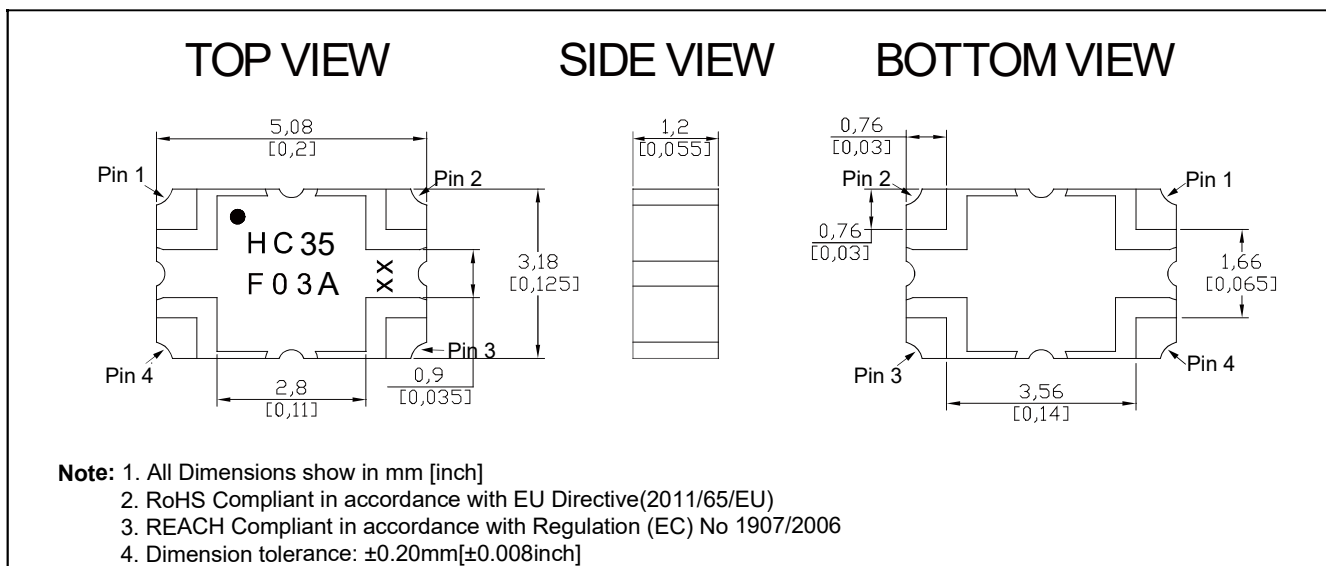
Electrical Specifications

Frequency	Isolation	Insertion Loss	Return Loss
<i>MHz</i>	<i>dB Min</i>	<i>dB Max</i>	<i>dB</i>
3300 -3800	20	0.20	20
3200 -4200	20	0.30	17.9
Phase Balance	Amplitude Balance	Power	Operating Temp.
<i>Degrees</i>	<i>dB Max</i>	<i>Avg. CW Watts at 95 °C</i>	<i>°C</i>
90 ± 4.0	± 0.30	25	-55 to +140
90 ± 5.0	± 0.50	22	-55 to +140

Notes:

1. All the above data are based on specified demo board.
2. Insertion loss: Thru board loss has been removed.

Mechanical Outline



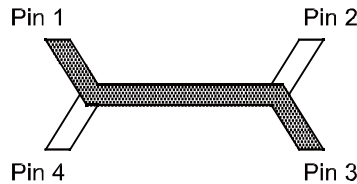
Yantel Corporation

Add: No.308-322,3F,Building1,JuchuangJingu InnovationPark,WenyuanRoad 35,Xili Street,Nanshan,Shenzhent,China
Tel: 86-755-8355-1886 Fax: 86-755-8355-2533

For detailed performance specs & shopping online see Yantel web site : www.yantel-corp.com

Hybrid Coupler Pin Configuration

The HC35F03A has an orientation marker to denote Pin1. Once port one has been identified the other ports are known automatically. Please see the chart below for clarification:



Configuration	Pin 1	Pin 2	Pin 3	Pin 4
Splitter	Input	Isolated	-3dB $\angle\theta - 90$	-3dB $\angle\theta$
Splitter	Isolated	Input	-3dB $\angle\theta$	-3dB $\angle\theta - 90$
Splitter	-3dB $\angle\theta - 90$	-3dB $\angle\theta$	Input	Isolated
Splitter	-3dB $\angle\theta$	-3dB $\angle\theta - 90$	Isolated	Input
*Combiner	A $\angle\theta - 90$	A $\angle\theta$	Isolated	Output
*Combiner	A $\angle\theta$	A $\angle\theta - 90$	Output	Isolated
*Combiner	Isolated	Output	A $\angle\theta - 90$	A $\angle\theta$
*Combiner	Output	Isolated	A $\angle\theta$	A $\angle\theta - 90$

*Note: "A" is the amplitude of the applied signals. When two quadrature signals with equal amplitudes are applied to the coupler as described in the table, they will combine at the output port. If the amplitudes are not equal, some of the applied energy will be directed to the isolated port.

Typical Performance Data (@25°C)

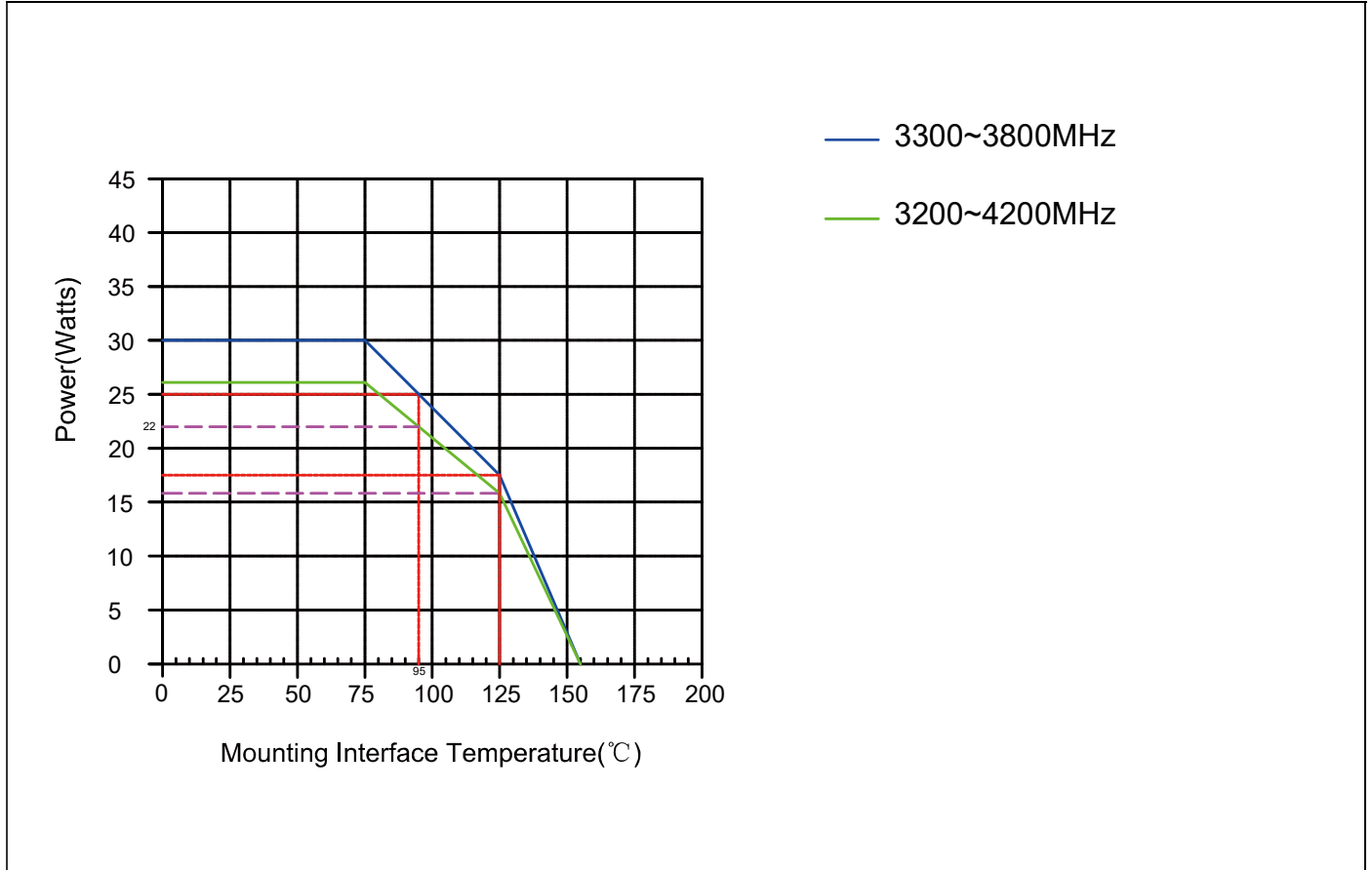
Frequency (MHz)	Coupling (dB)	Transmission (dB)	Insertion Loss (dB)	Isolation (dB)	Amplitude Balance (dB)	Phase (degree)	Return Loss(dB)			
							S11	S22	S33	S44
3200	-3.32	-3.04	-0.17	-23.35	-0.14	-91.63	-23.34	-21.99	-24.67	-24.55
3250	-3.30	-3.06	-0.17	-23.48	-0.12	-91.60	-23.11	-21.46	-24.66	-24.26
3300	-3.26	-3.08	-0.16	-24.38	-0.09	-91.80	-23.71	-22.70	-25.62	-25.67
3350	-3.25	-3.10	-0.16	-24.56	-0.07	-91.83	-23.63	-22.67	-26.24	-25.15
3400	-3.22	-3.12	-0.16	-25.68	-0.05	-91.97	-23.78	-24.02	-27.95	-26.51
3450	-3.20	-3.15	-0.16	-25.71	-0.03	-91.98	-23.70	-24.39	-29.05	-25.94
3500	-3.19	-3.16	-0.17	-26.66	-0.01	-92.13	-24.28	-25.67	-30.34	-27.29
3550	-3.17	-3.18	-0.16	-26.98	0.00	-92.12	-24.67	-26.46	-31.76	-26.99
3600	-3.16	-3.19	-0.17	-28.58	0.02	-92.24	-25.35	-26.95	-33.31	-28.99
3650	-3.15	-3.20	-0.16	-28.92	0.03	-92.24	-25.71	-29.84	-35.15	-28.59
3700	-3.15	-3.22	-0.17	-30.30	0.03	-92.38	-26.17	-28.52	-36.56	-29.91
3750	-3.13	-3.22	-0.16	-31.81	0.05	-92.45	-26.86	-35.45	-38.99	-31.02
3800	-3.13	-3.23	-0.17	-33.00	0.05	-92.55	-27.50	-30.81	-45.34	-31.52
3850	-3.13	-3.24	-0.17	-35.74	0.06	-92.58	-28.10	-45.39	-34.63	-34.11
3900	-3.13	-3.24	-0.17	-37.55	0.06	-92.60	-29.04	-33.22	-38.62	-33.62
3950	-3.13	-3.24	-0.18	-42.73	0.06	-92.61	-30.82	-35.76	-31.72	-39.76
4000	-3.14	-3.24	-0.18	-44.68	0.05	-92.66	-31.16	-34.27	-33.45	-35.38
4050	-3.15	-3.24	-0.18	-43.96	0.05	-92.71	-33.87	-30.89	-29.33	-42.39
4100	-3.16	-3.22	-0.18	-44.44	0.03	-92.76	-35.61	-31.79	-29.94	-34.64
4150	-3.17	-3.20	-0.18	-36.22	0.01	-92.82	-34.97	-26.68	-26.88	-33.36
4200	-3.18	-3.19	-0.18	-34.51	0.01	-92.85	-35.56	-29.28	-27.18	-32.12

Yantel Corporation

Add: No.308-322,3F,Building1,JuchuangJingu InnovationPark,WenyuanRoad 35,Xili Street,Nanshan,Shenzhen,China
Tel: 86-755-8355-1886 Fax: 86-755-8355-2533

For detailed performance specs & shopping online see Yantel web site : www.yantel-corp.com

Power Derating Curves



Power Derating:

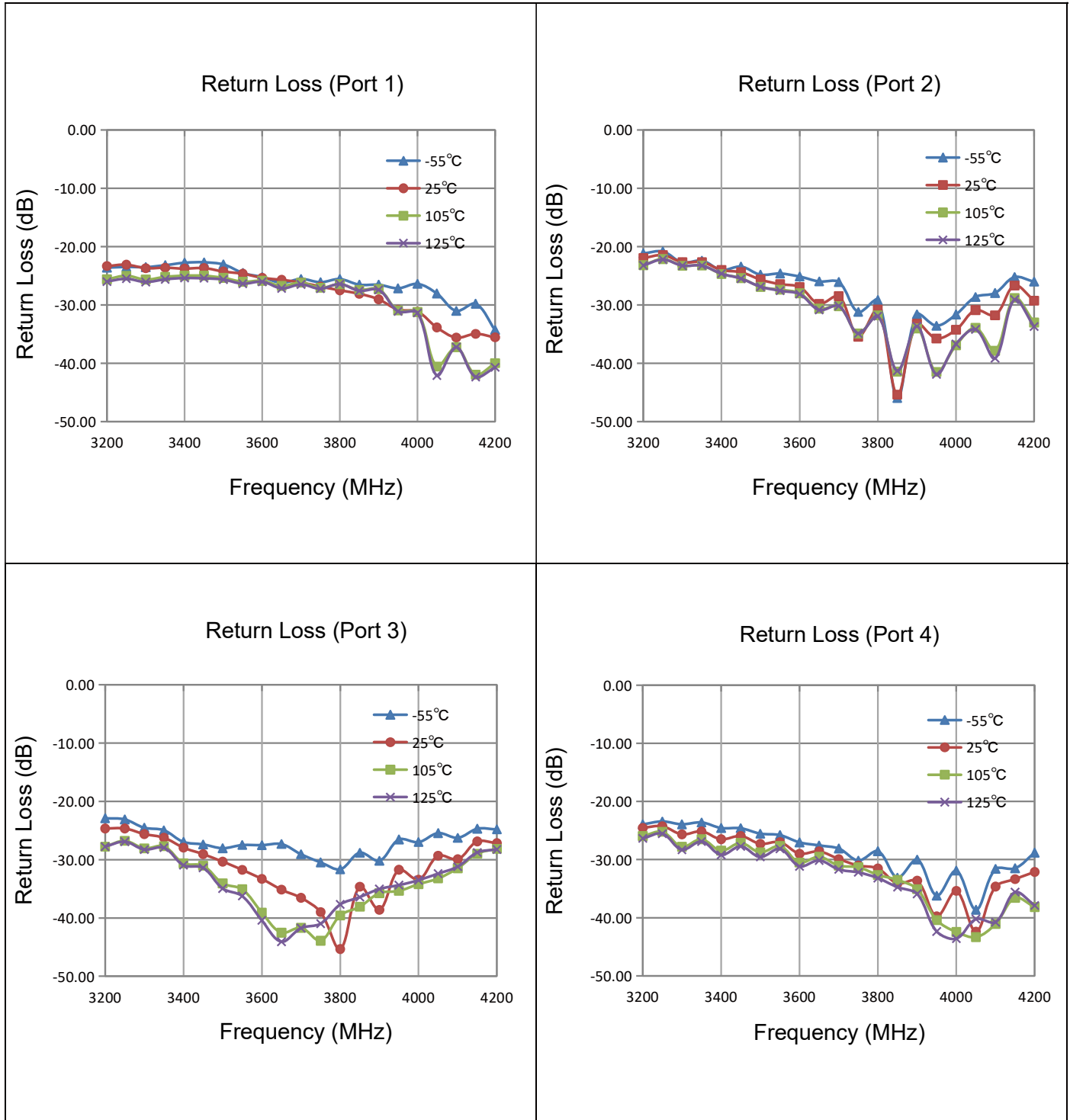
As the mounting interface temperature approaches the maximum continuous operating temperature, the power handling decreases to zero.

Yantel Corporation

Add : No.308-322,3F,Building1,JuchuangJingu InnovationPark,WenyuanRoad 35,Xili Street,Nanshan,Shenzhent,China
 Tel: 86-755-8355-1886 Fax: 86-755-8355-2533

For detailed performance specs & shopping online see Yantel web site : www.yantel-corp.com

Typical Performance (-55°C, 25°C, 105°C, 125°C: 3200-4200 MHz)

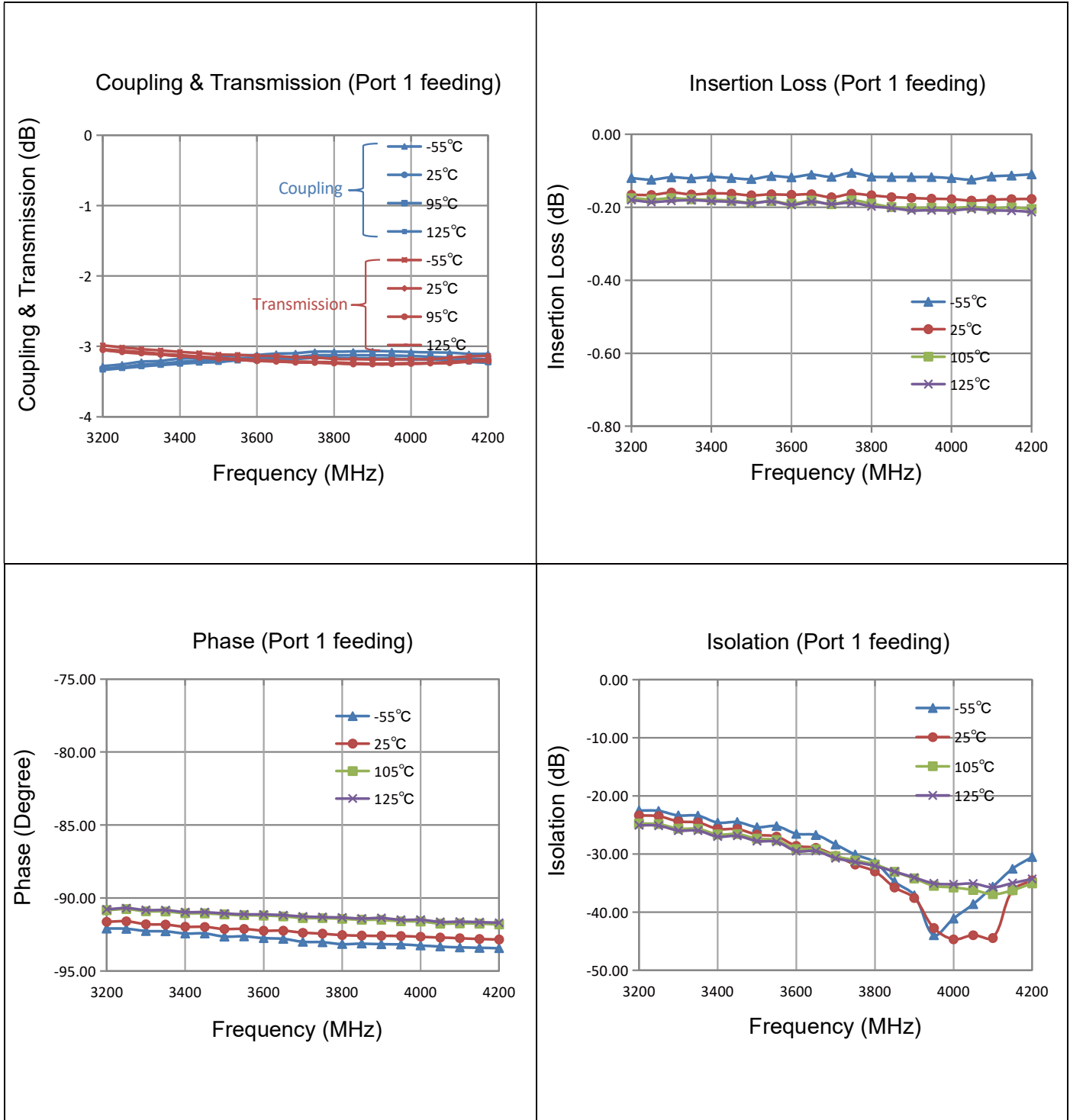


Yantel Corporation

Add : No.308-322,3F,Building1,JuchuangJingu InnovationPark,WenyuanRoad 35,Xili Street,Nanshan,Shenzhen,China
 Tel: 86-755-8355-1886 Fax: 86-755-8355-2533

For detailed performance specs & shopping online see Yantel web site : www.yantel-corp.com

Typical Performance (-55°C, 25°C, 95°C, 125°C: 3200-4200 MHz)



Yantel Corporation

Add: No.308-322,3F,Building1,JuchuangJingu InnovationPark,WenyuanRoad 35,Xili Street,Nanshan,Shenzhent,China
 Tel: 86-755-8355-1886 Fax: 86-755-8355-2533

For detailed performance specs & shopping online see Yantel web site : www.yantel-corp.com

Definition of Measured Specifications

Parameter	Definition	Mathematical Representation
VSWR (Voltage Standing Wave Ratio)	The impedance match of the coupler to a 50Ω system. A VSWR of 1:1 is optimal.	$VSWR = \frac{V_{max}}{V_{min}}$ Vmax = voltage maxima of a standing wave Vmin = voltage minima of a standing wave
Return Loss	The impedance match of the coupler to a 50Ω system. Return Loss is an alternate means to express VSWR.	$\text{Return Loss (dB)} = 20 \log \frac{VSWR + 1}{VSWR - 1}$
Insertion Loss	The input power divided by the sum of the power at the two output ports.	$\text{Insertion Loss(dB)} = 10 \log \frac{P_{in}}{P_{cpl} + P_{transmission}}$
Isolation	The input power divided by the power at the isolated port.	$\text{Isolation(dB)} = 10 \log \frac{P_{in}}{P_{iso}}$
Phase Balance	The difference in phase angle between the two output ports.	Phase at coupled port – Phase at transmission port
Amplitude Balance	The power at each output divided by the average power of the two outputs.	$10 \log \frac{P_{cpl}}{\left(\frac{P_{cpl} + P_{transmission}}{2}\right)} \quad \text{or} \quad 10 \log \frac{P_{transmission}}{\left(\frac{P_{cpl} + P_{transmission}}{2}\right)}$

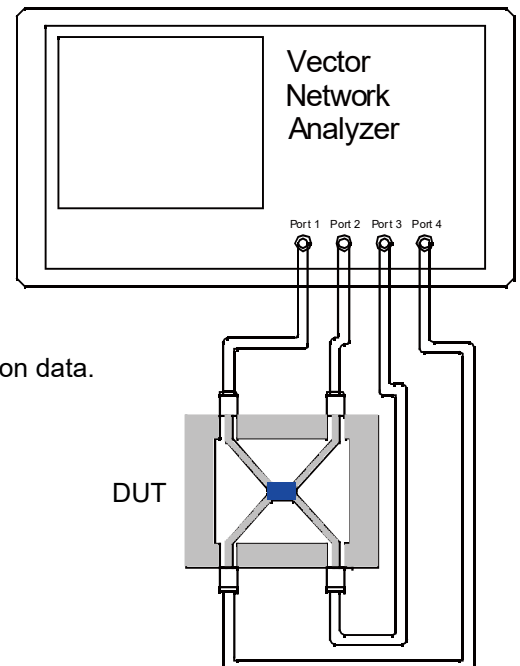
Test Method

1. Calibrating your vector network analyzer.
2. Connect the VNA 4 Port to DUT respectively.
3. Measure the data of coupling through port 1 to port 4(S41).
4. Measure the data of transmission through port 1 to port 3(S31).
5. Measure the data of isolation through port 1 to port 2(S21).
6. Measure the data of phase port 4 & port 3(port 1 feeding).
7. Measure the data of return loss port 1, port 2, port 3 & port 4.
8. According to the above data to calculate insertion loss, amplitude balance & phase.

Note:

1. When calculating insertion loss at room temperature, demo board loss should be removed from both coupling & transmission data. Please refer to the below table for demo board loss :

Frequency Range(MHz)	Demo Board Loss (dB) @25°C
470-860	0.07
800-1000	0.10
1200-1700	0.15
1700-2000	0.15
2000-2300	0.20
2300-2700	0.25

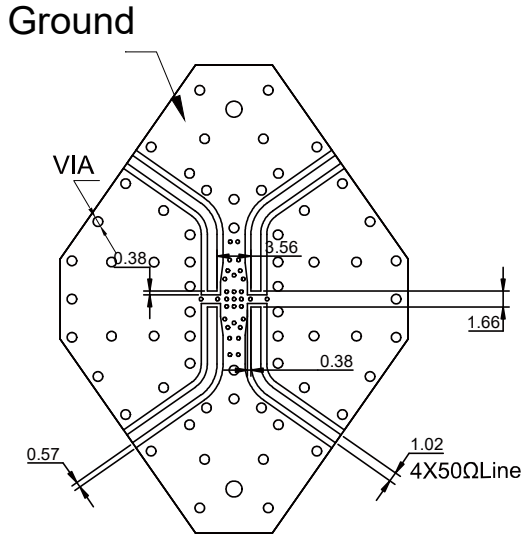


Yantel Corporation

Add: No.308-322,3F,Building1,JuchuangJingu InnovationPark,WenyuanRoad 35,Xili Street,Nanshan,Shenzhent,China
 Tel: 86-755-8355-1886 Fax: 86-755-8355-2533

For detailed performance specs & shopping online see Yantel web site : www.yantel-corp.com

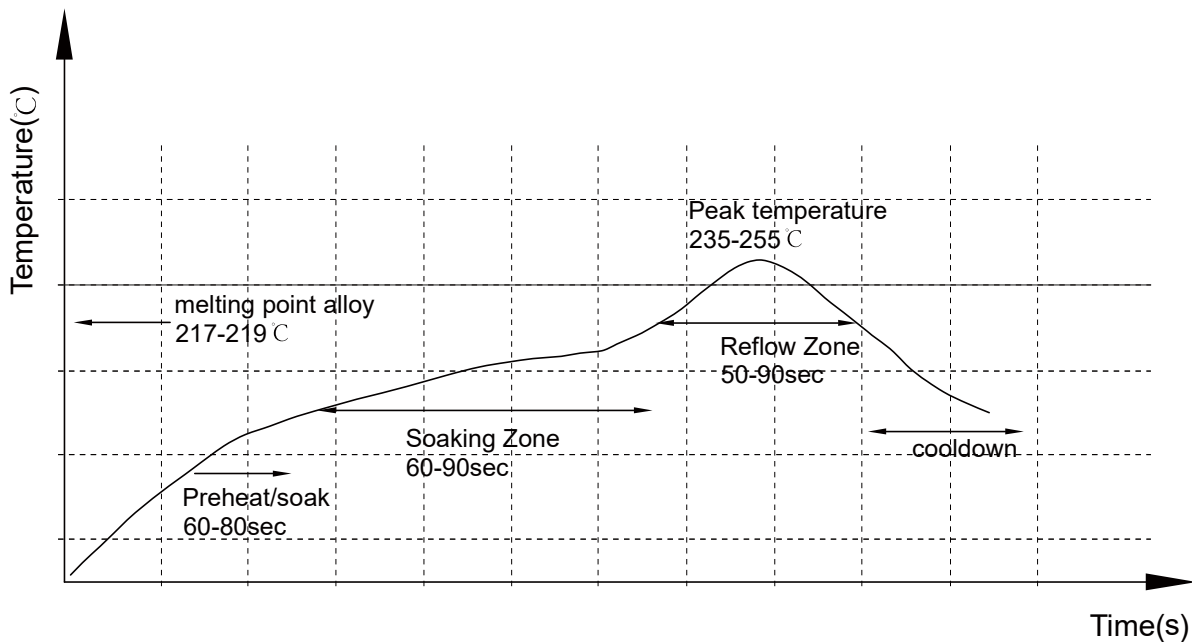
Recommended PCB Layout



NOTE:

1. 50Ω line width is shown above designing from $\epsilon_r=3.66$ THK=0.508mm copper 1 OZ
2. Bottom side of the PCB is continuous ground plane.
3. All dimensions shown in mm [inch].

Reflow Profile

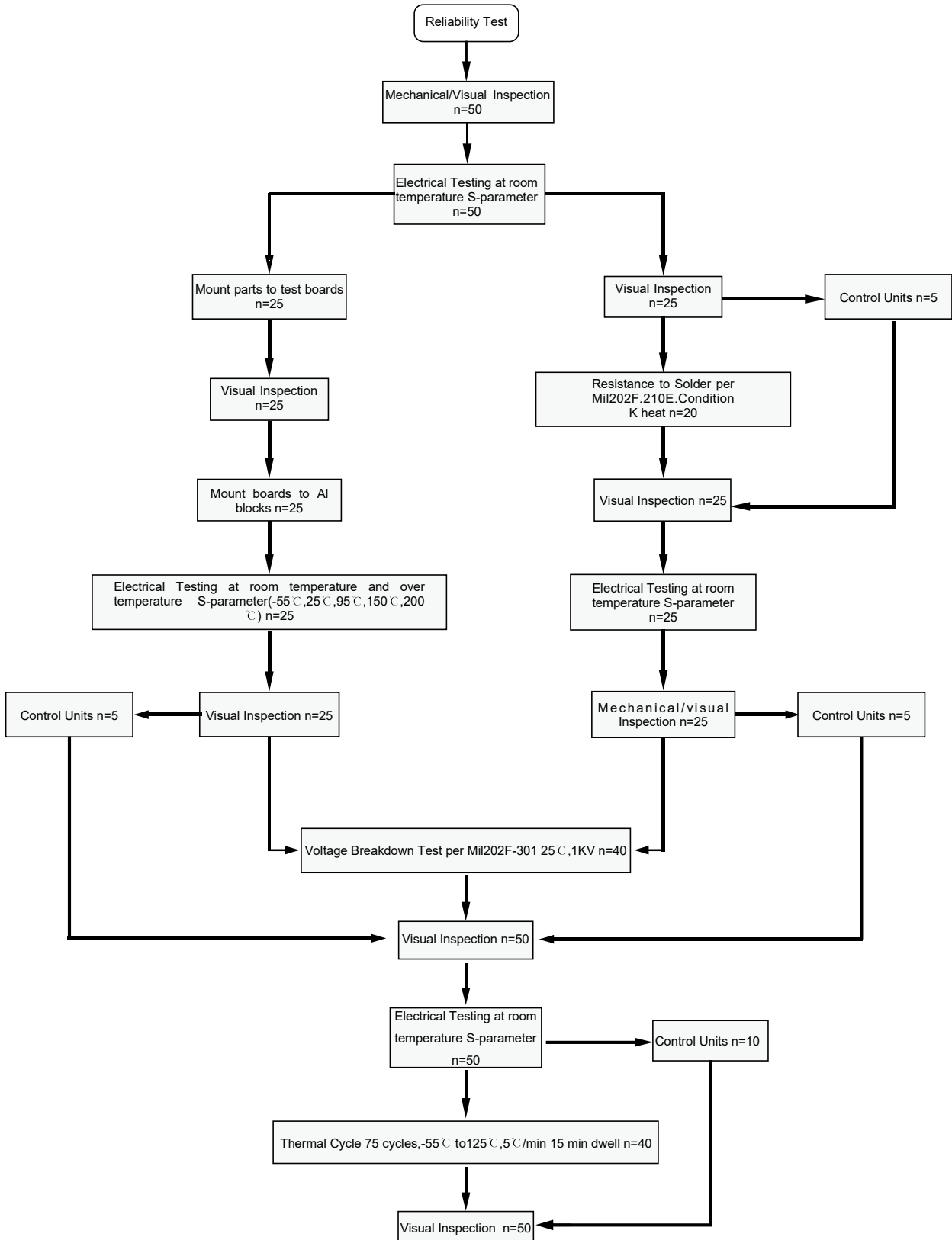


Yantel Corporation

Add: No.308-322,3F,Building1,JuchuangJingu InnovationPark,WenyuanRoad 35,Xili Street,Nanshan,Shenzhent,China
Tel: 86-755-8355-1886 Fax: 86-755-8355-2533

For detailed performance specs & shopping online see Yantel web site : www.yantel-corp.com

Reliability Test Flow



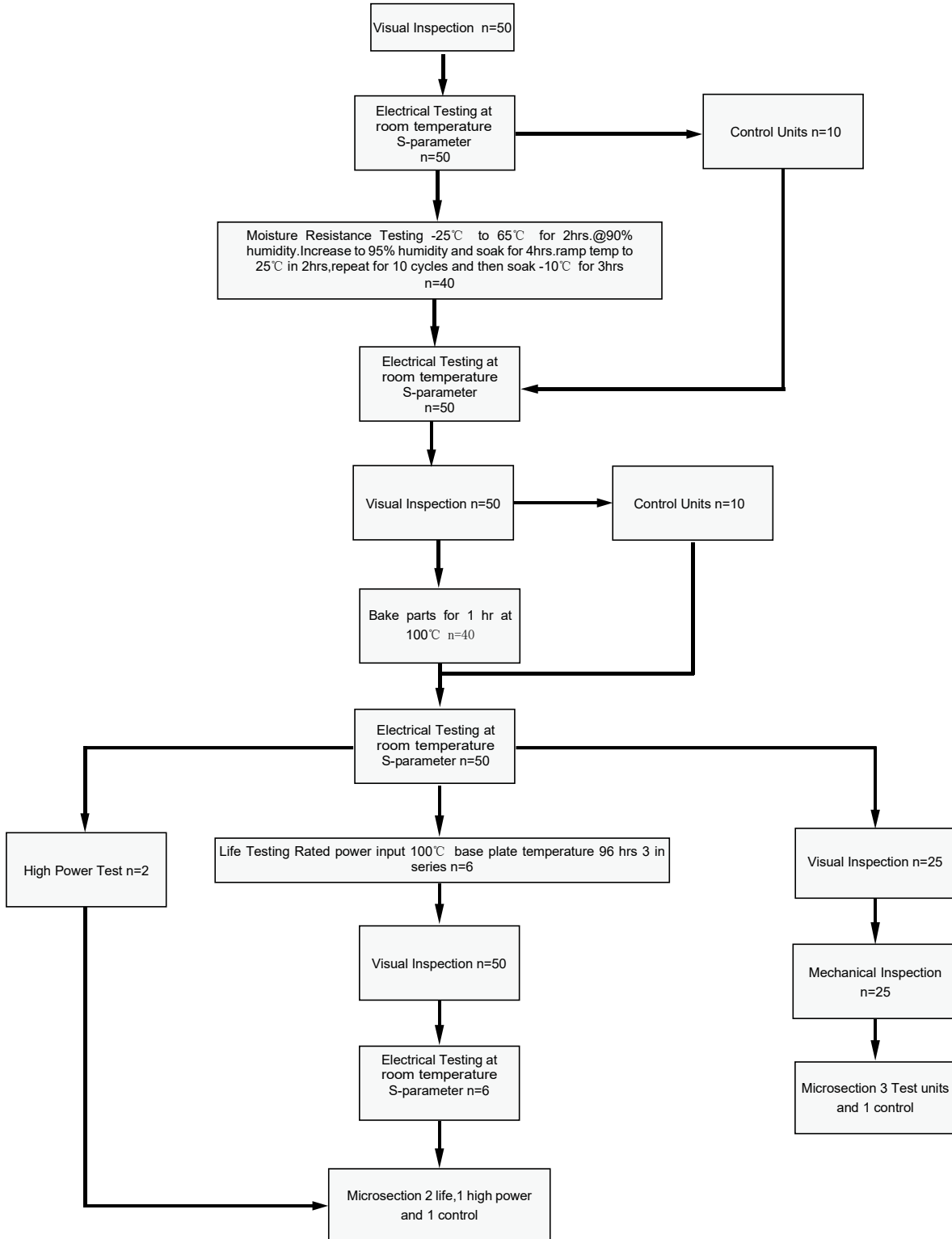
Yantel Corporation

Add: No.308-322,3F,Building1,JuchuangJingu InnovationPark,WenyuanRoad 35,Xili Street,Nanshan,Shenzhent,China

Tel: 86-755-8355-1886 Fax: 86-755-8355-2533

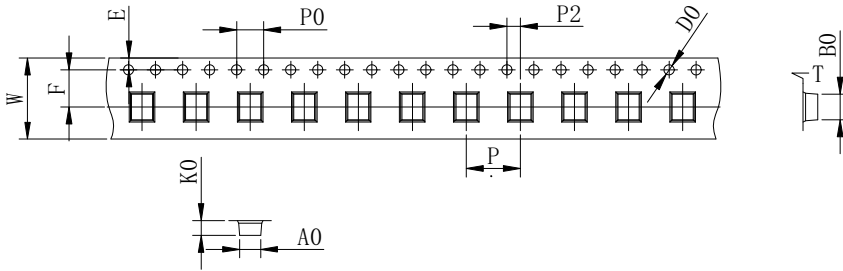
For detailed performance specs & shopping online see Yantel web site : www.yantel-corp.com

Reliability Test Flow



Tape and Reel Drawing

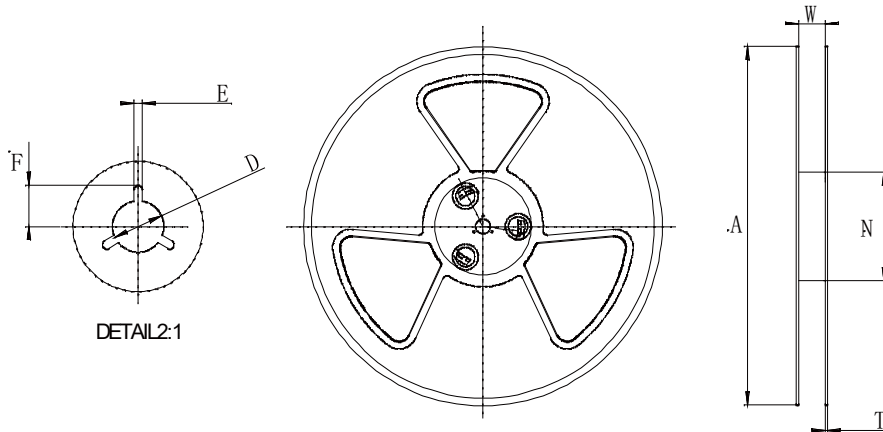
Feeding Direction



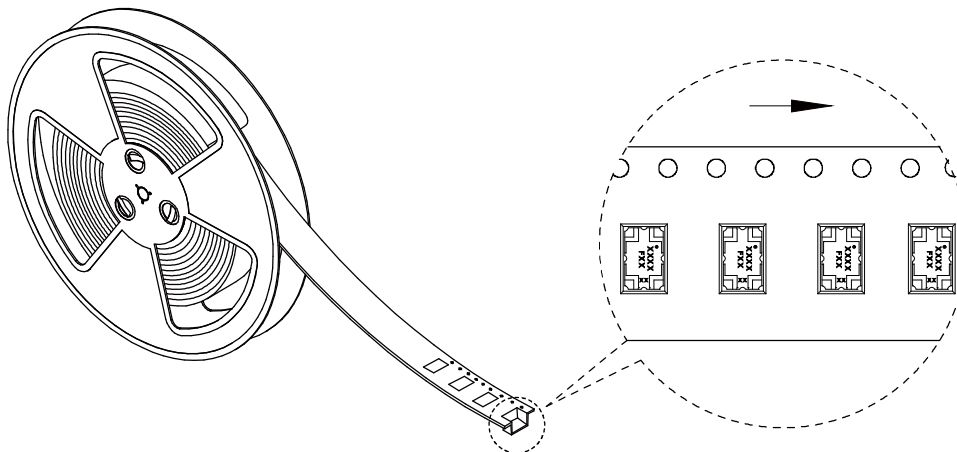
ITEM	W	A0	B0	K0	K1	P	F	E	D	P0	P2	t	7"
DIM(mm)	12.0	3.45	5.35	1.5		8	5.5	1.75	1.50	4.00	2.00	0.30	P/R
TOLE	+0.30 -0.30	+0.10 -0.10	+0.10 -0.10	+0.10 -0.10	+0.10 -0.10	+0.10 -0.10	+0.10 -0.10	+0.10 -0.10	+0.10 -0.00	+0.10 -0.10	+0.10 -0.10	+0.05 -0.05	1000pcs

Notice:

- A. 10 Sprocket hole pitch cumulative tolerance is 0.2mm.
- B. Carrier camber shall be not more than 1mm per 100mm through a length of 250mm.
- C. All dimensions meet EIA-418-B requirements.
- D. A0 & B0 measured as indicated.
- E. K0 measured from a place on the inside bottom of the pocket to top surface of carrier.
- F. Material: PE 100
- G. Thickness: 0.30±0.05mm
- H. 1000 units (maximum) / T&R



Symbol	Dimensions(mm)
W	12.5±0.4
A	177±0.5
N	63±0.3
T	1.8±0.2
E	2.1±0.3
F	10.75±0.3
D	13.5+0.5/-0.2



Yantel Corporation

Add: No.308-322,3F,Building1,JuchuangJingu InnovationPark,WenyuanRoad 35,Xili Street,Nanshan,Shenzhent,China
 Tel: 86-755-8355-1886 Fax: 86-755-8355-2533

For detailed performance specs & shopping online see Yantel web site : www.yantel-corp.com