

Data Sheet

HC26IC03Q

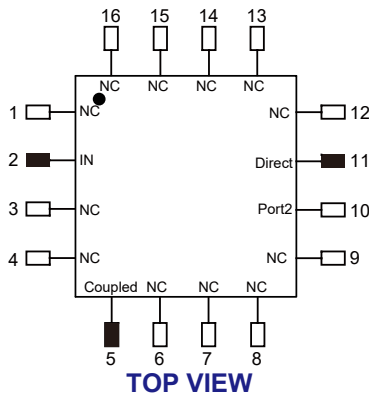
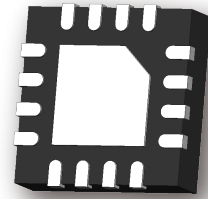
3dB 90° Coupler IC

2 GHz-6 GHz



Features

- Small Size (3×3mm)
- Very Low Loss
- Tight Amplitude Balance
- High Isolation
- Low VSWR
- Good Repeatability
- Tape & Reel
- Power handling
 - 4 Watts as a divider
 - 2 Watts as a combiner



Applications

- Phase shifter / Attenuator
- Balanced amplifier / LNA configurations
- Modulators
- Mixers
- Power combining /dividing

Notes:

- 1.Require to add Capacitors of DC Blocker between Pins(with black color) and external circuit to prevent DC signal entry to guranteeparts normal work.
- 2.This part has passed through 100% RF test.

Electrical Specifications at 25°C

Parameter	Symbol	Min	Typ	Max	Unit
Frequency Range	F	2		6	GHz
Insertion Loss (Above 3dB)	I _L		0.7	1.4	dB
Isolation	Isol	12	15		dB
Phase Unbalance (Deviation from 90°)	∅ _{bal}		3.0	9.0	deg
Amplitude Unbalance	A _{bal}		0.6	1.8	dB
Input VSWR			1.3	1.5	
Output VSWR			1.3	1.5	

Yantel Corporation

Add: No.308-322, 3F, Building 1, Juchuang Jingu Innovation Park, Wenyuan Road 35, Xili Street, Nanshan, Shenzhen, China
 Tel: 86-755-8355-1886 Fax: 86-755-8355-2533

Data Sheet

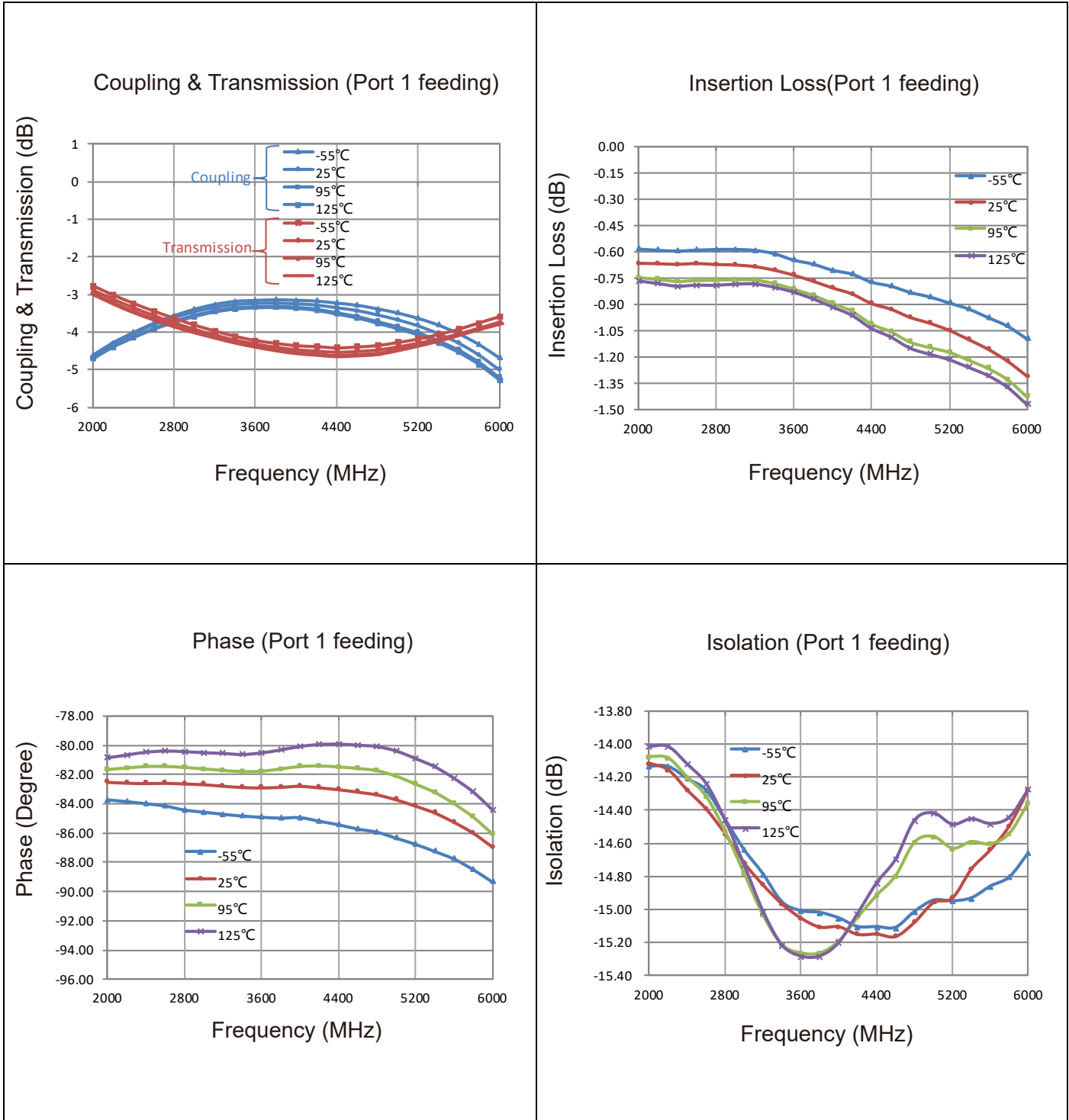
HC26IC03Q

3dB 90° Coupler IC

2 GHz-6 GHz



Typical Performance (-55°C, 25°C, 95°C: 2000-6000 MHz)



Yantel Corporation

Add: No.308-322, 3F, Building 1, Juchuang Jingu Innovation Park, Wenyuan Road 35, Xili Street, Nanshan, Shenzhen, China
 Tel: 86-755-8355-1886 Fax: 86-755-8355-2533

Rev A1

For detailed performance specs & shopping online see Yantel web site : www.yantel-corp.com

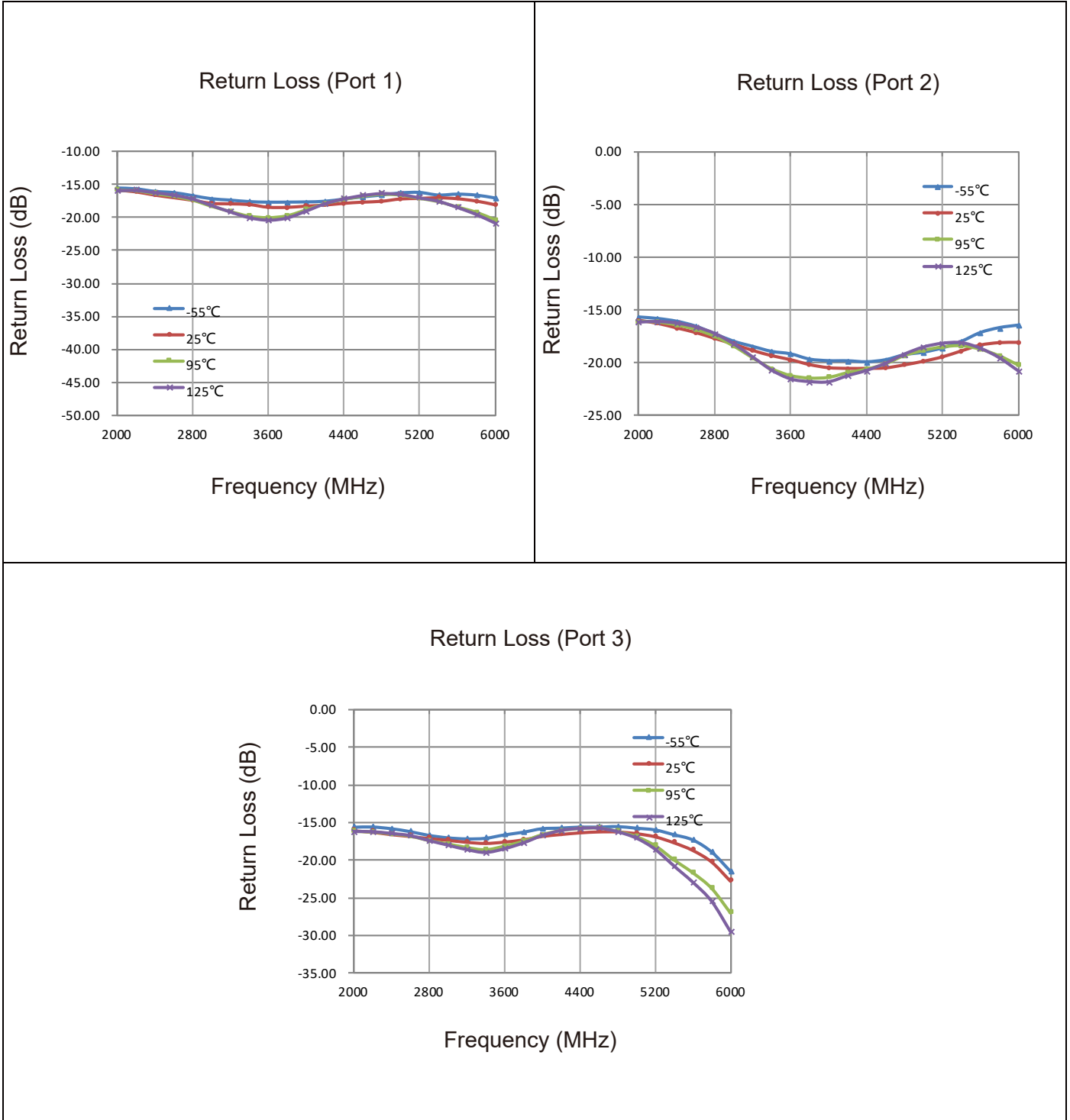
Data Sheet

HC26IC03Q

3dB 90° Coupler IC
2 GHz-6 GHz



Typical Performance (-55°C, 25°C, 95°C: 2000-6000 MHz)



Yantel Corporation

Add: No.308-322, 3F, Building 1, Juchuang Jingu Innovation Park, Wenyuan Road 35, Xili Street, Nanshan, Shenzhen, China
Tel: 86-755-8355-1886 Fax: 86-755-8355-2533

Rev A1

For detailed performance specs & shopping online see Yantel web site : www.yantel-corp.com

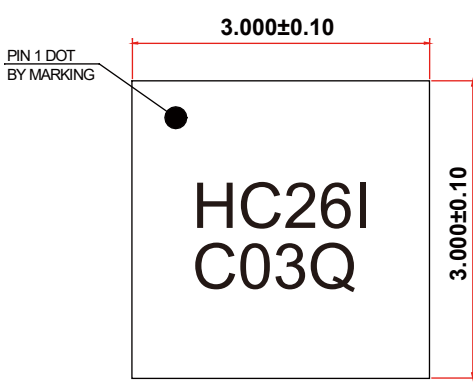
Data Sheet

HC26IC03Q

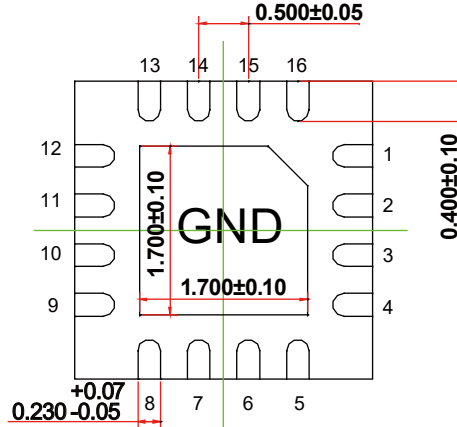
3dB 90° Coupler IC
2 GHz-6 GHz



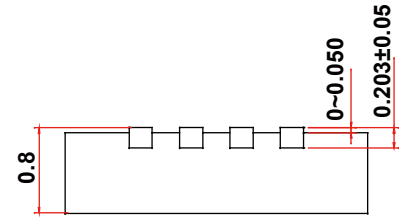
Outline Drawing



TOP VIEW

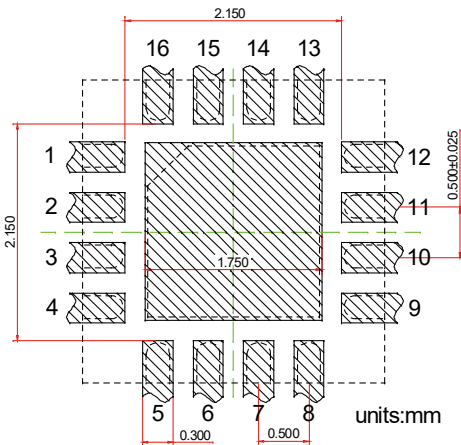


BOTTOM VIEW



SIDE VIEW

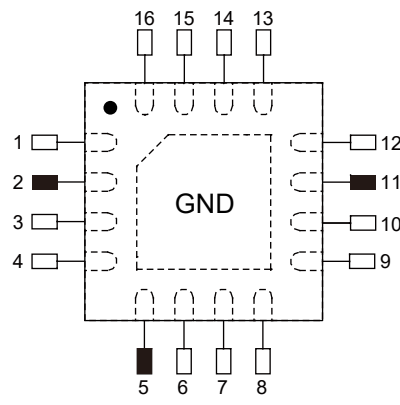
Land Pattern



Recommended Land Pattern
Top View

Notes: All dimensions show in millimeters

Pin Out



TOP VIEW

Notes:

1. Require to add Capacitors of DC Blocker between Pins (with black color) and external circuit to prevent DC signal entry to guarantee normal work.
2. This part has passed through 100% RF test.

Pin #	Connection
1	NC
2	IN
3	NC
4	NC
5	Coupled
6	NC
7	NC
8	NC
9	NC
10	NC
11	Direct
12	NC
13	NC
14	NC
15	NC
16	NC
Center Pad	GND

Yantel Corporation

Add: No.308-322, 3F, Building 1, Juchuang Jingu Innovation Park, Wenyuan Road 35, Xili Street, Nanshan, Shenzhen, China
Tel: 86-755-8355-1886 Fax: 86-755-8355-2533