

Data Sheet

PD1400U06-524

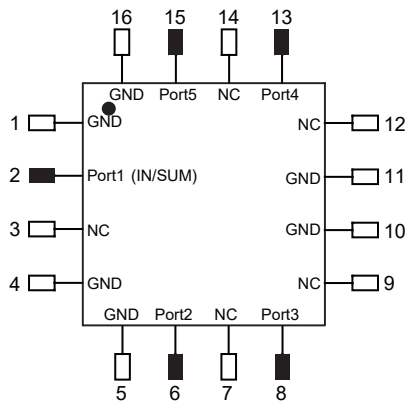
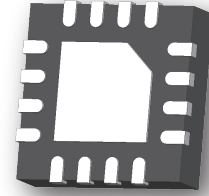
Power Divider/Combiner

4-Way 0° 50Ω 1.15-1.65 GHz



Features

- Small Size (3×3mm QFN package)
- Passive RF IC, no need external DC power supply
- No need external 100 Ω resistor
- Very Low Loss
- Tight Amplitude Balance
- High Isolation
- Low VSWR
- Good Repeatability
- Tape & Reel
- Operating Temperature -40°C~85°C
- Power handling
 - 2 Watts as a divider
 - 0.5 Watts as a combiner



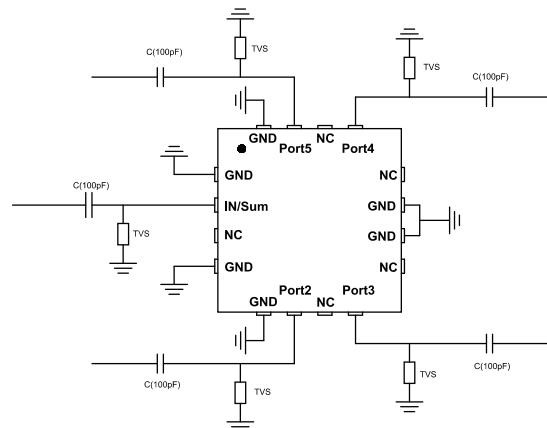
Applications

- Wireless communications
- WLAN / WiMax
- SAT Radio
- ISM band instrument
- Information System for Automotive Safety

Notes:

TOP VIEW

1. This part has passed through 100% RF test.
2. Suggest to add Capacitors of DC Blocker between Pins (with black color) and external circuit to prevent DC signal entry to guarantee parts normal work.
3. Suggest to add a TVS Diode in parallel between Electrode (with black color) and Capacitor of DC Blocker to provide ESD protection for the product. TVS Diode use ON Semiconductor's ESD9101 is recommended.



ESD Rating

Human Body Model (HBM): ≤ 450V in accordance with ANSI/ESD STM 5.1 - 2001

Machine Model (MM): ≤ 100V in accordance with ANSI/ESD STM 5.2 - 1999

Yantel Corporation

Add: No.308-322, 3F, Building 1, Juchuang Jingu Innovation Park, Wenyuan Road 35, Xili Street, Nanshan, Shenzhen, China

Tel: 86-755-8355-1886 Fax: 86-755-8355-2533

Data Sheet

PD1400U06-524

Power Divider/Combiner

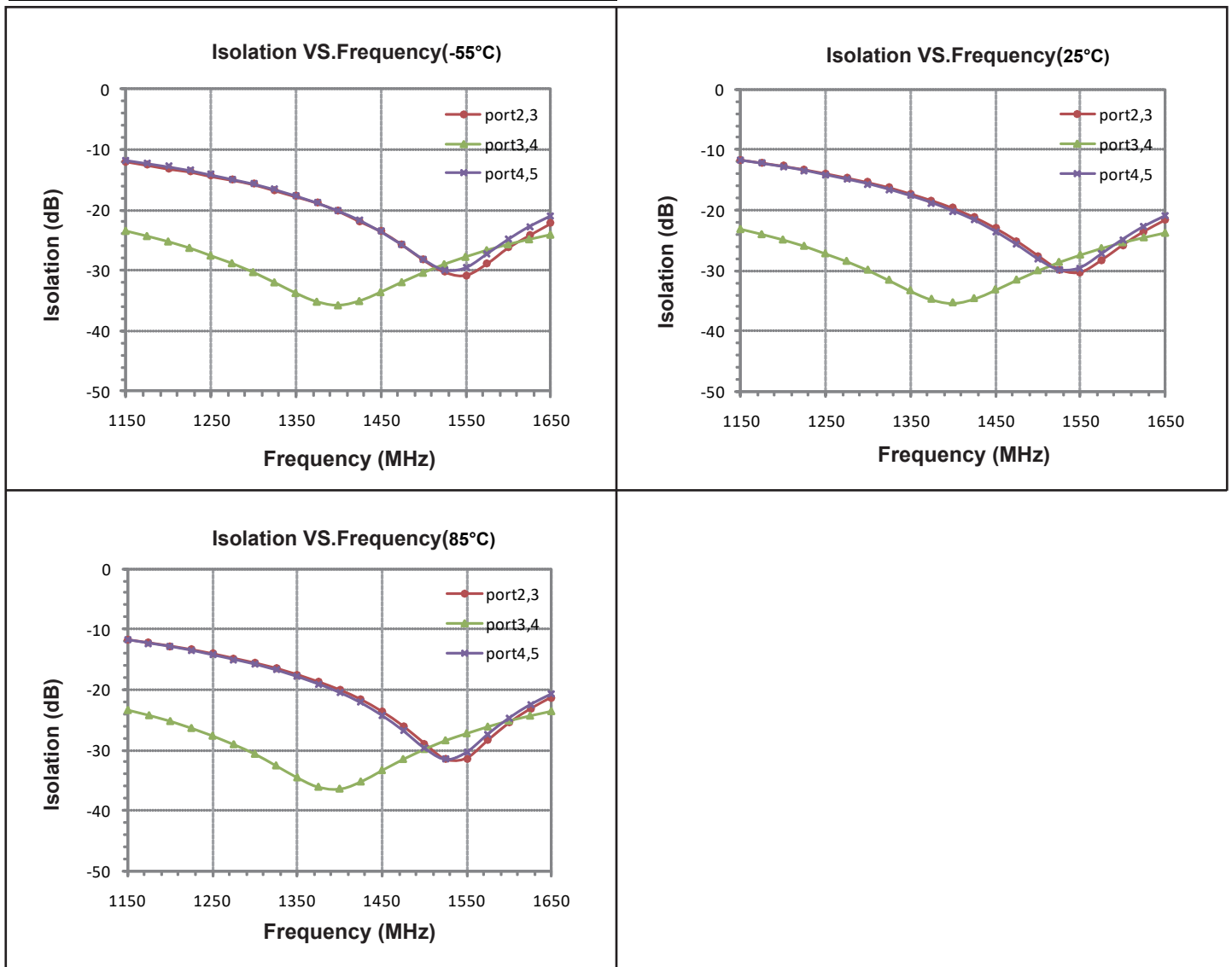
4-Way 0° 50Ω 1.15-1.65 GHz



Electrical Specifications at 25° C

Parameter	Symbol	Min	Typ	Max	Unit
Frequency Range	F	1150		1650	MHz
Insertion Loss (Above 6dB)	I_L		0.45	0.75	dB
Isolation	Isol		11~47		dB
Phase balance	\varnothing_{bal}		± 2.5		deg
Amplitude balance	A_{bal}		0.04~0.25		dB
Input VSWR			1.05~1.70		:1
Output VSWR			1.05~1.6		:1

Typical Performance (-55°C, 25°C, 85°C: 1200-1650 MHz)



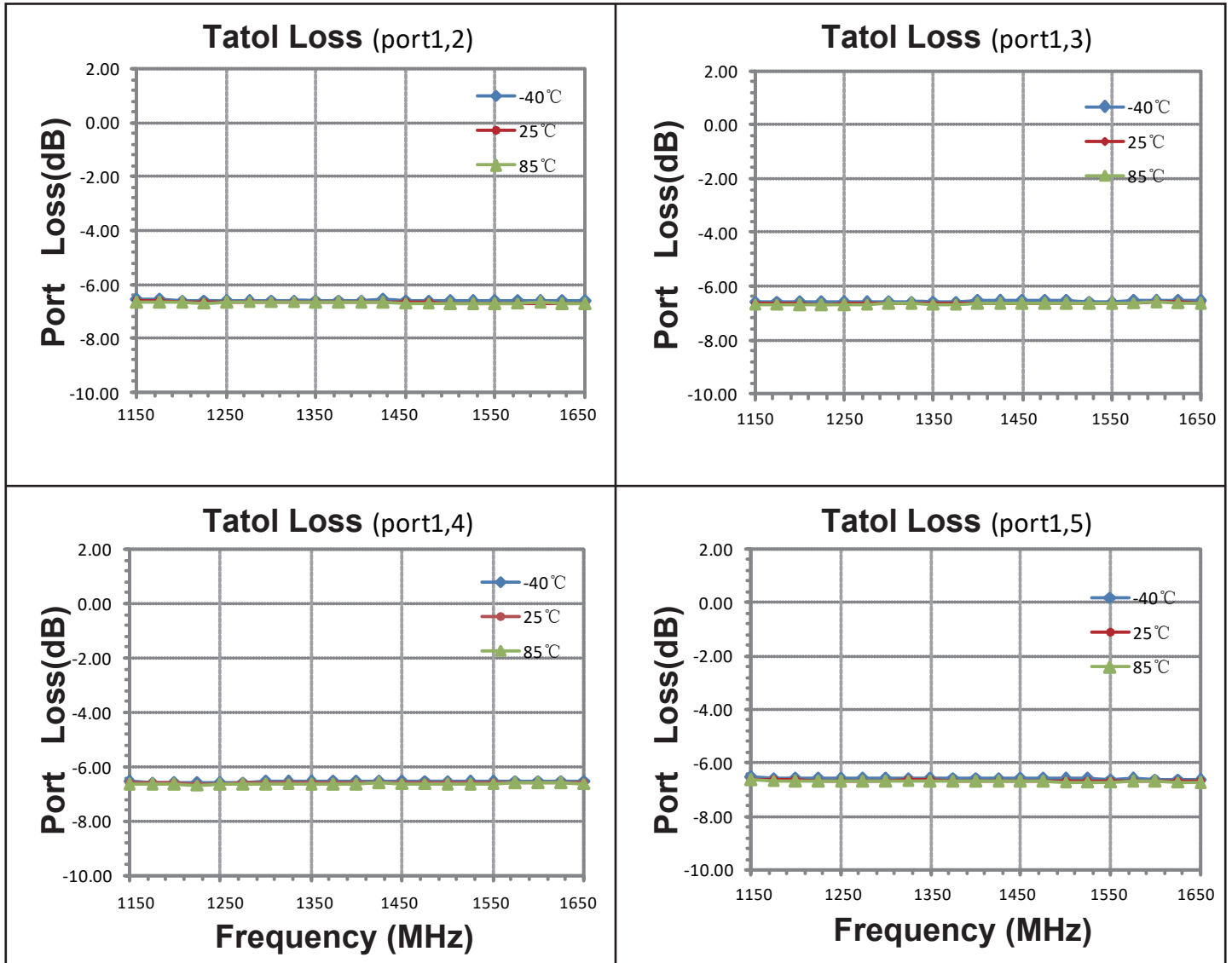
Yantel Corporation

Add: No.308-322, 3F, Building 1, Juchuang Jingu Innovation Park, Wenyuan Road 35, Xili Street, Nanshan, Shenzhen, China
 Tel: 86-755-8355-1886 Fax: 86-755-8355-2533

Data Sheet

PD1400U06-524

Power Divider/Combiner
4-Way 0° 50Ω 1.15-1.65 GHz



Yantel Corporation

Add: No.308-322, 3F, Building 1, Juchuang Jingu Innovation Park, Wenyuan Road 35, Xili Street, Nanshan, Shenzhen, China
Tel: 86-755-8355-1886 Fax: 86-755-8355-2533

Rev A4.1

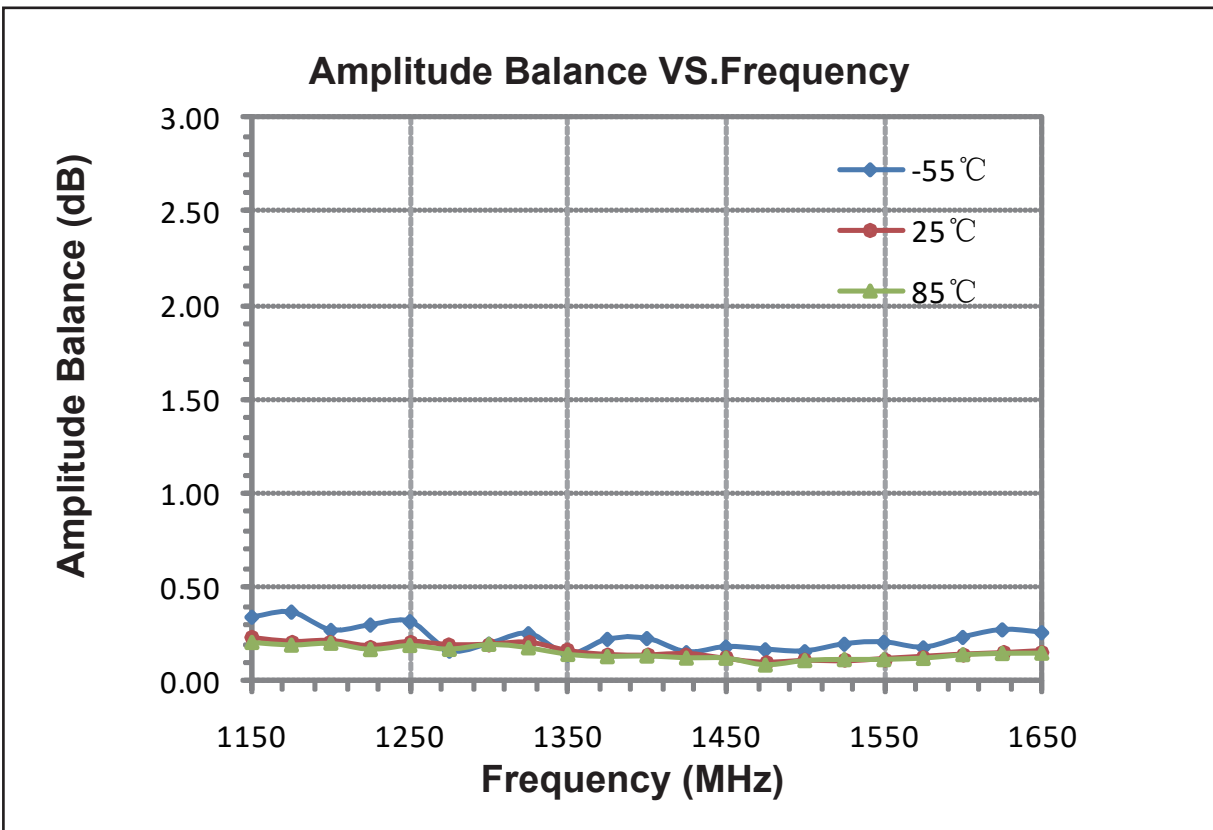
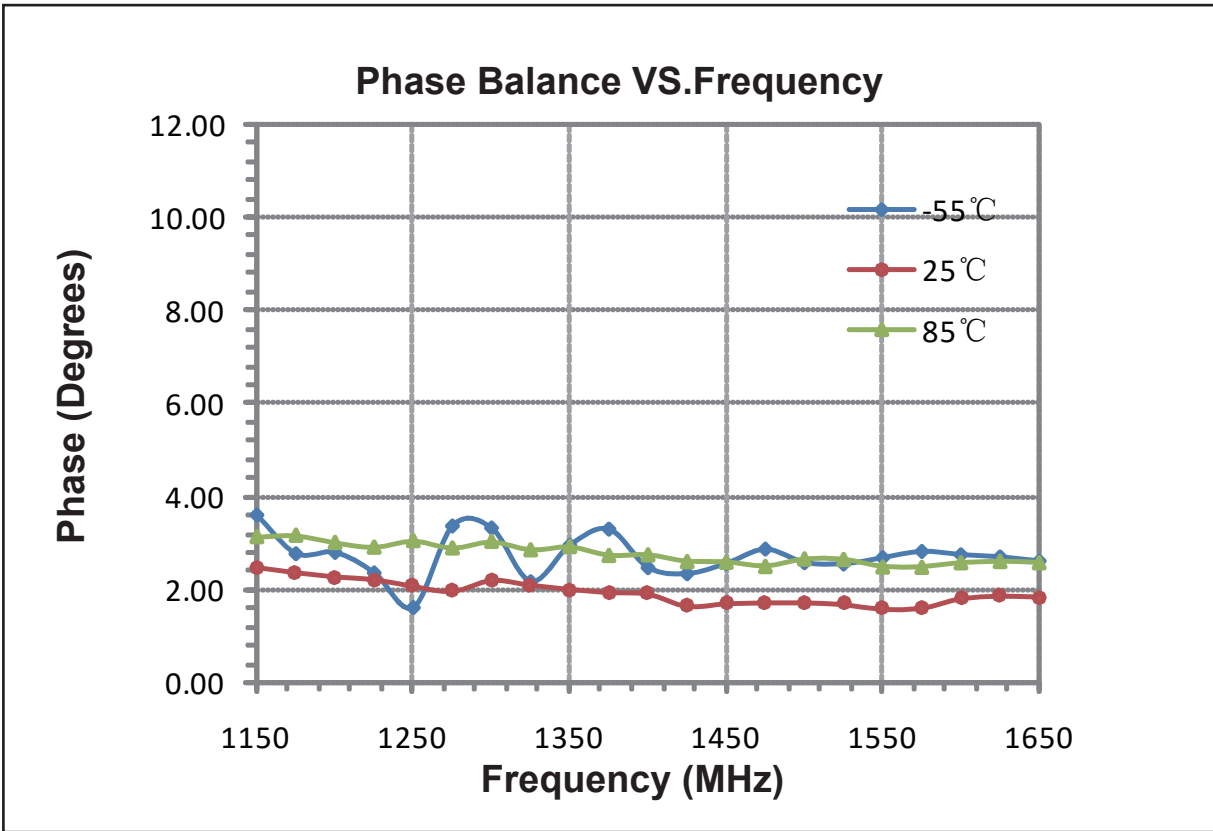
For detailed performance specs & shopping online see Yantel web site : www.yantel-corp.com

Data Sheet

PD1400U06-524

Power Divider/Combiner

4-Way 0° 50Ω 1.15-1.65 GHz



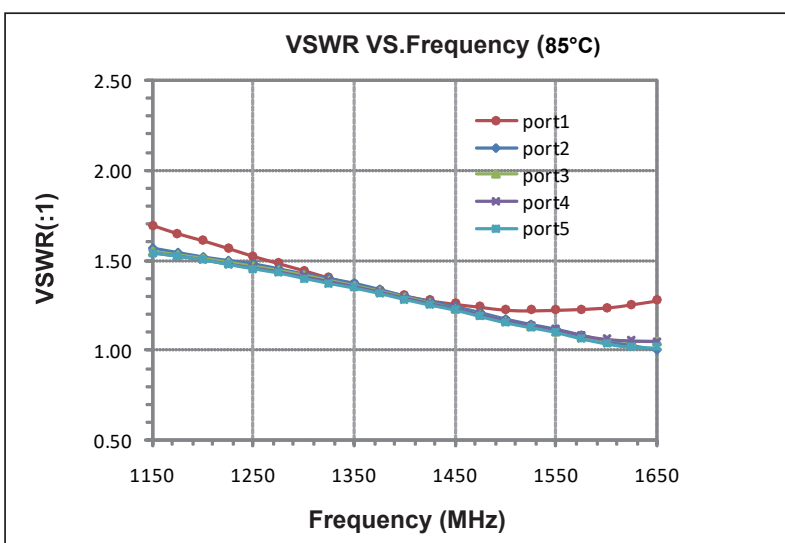
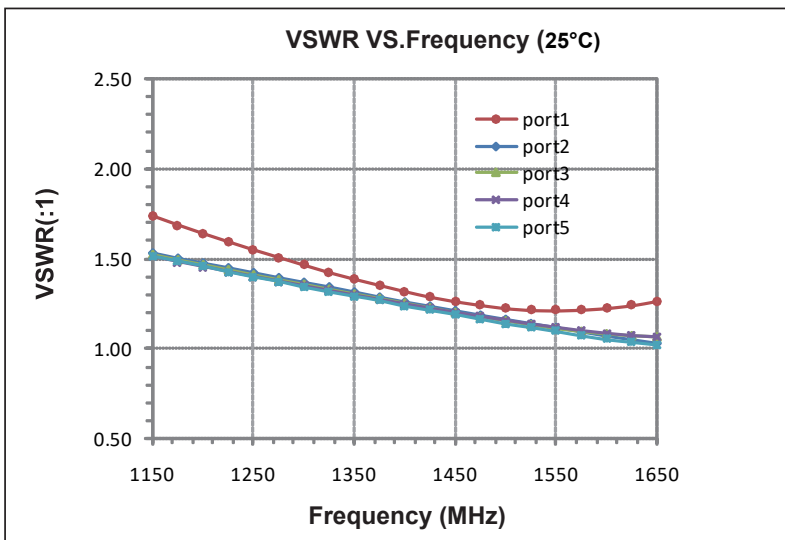
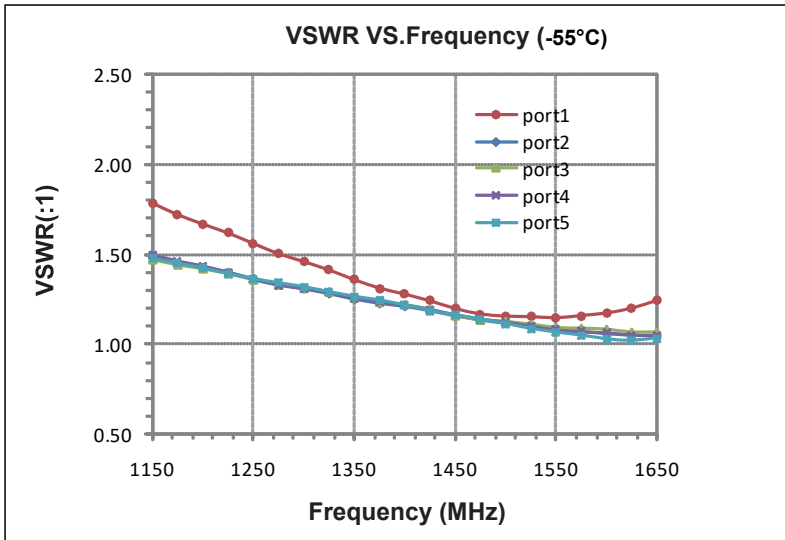
Yantel Corporation

Add: No.308-322, 3F, Building 1, Juchuang Jingu Innovation Park, Wenyuan Road 35, Xili Street, Nanshan, Shenzhen, China
Tel: 86-755-8355-1886 Fax: 86-755-8355-2533

Data Sheet

PD1400U06-524

Power Divider/Combiner
4-Way 0° 50Ω 1.15-1.65 GHz



Yantel Corporation

Add: No.308-322, 3F, Building 1, Juchuang Jingu Innovation Park, Wenyuan Road 35, Xili Street, Nanshan, Shenzhen, China
Tel: 86-755-8355-1886 Fax: 86-755-8355-2533

Data Sheet

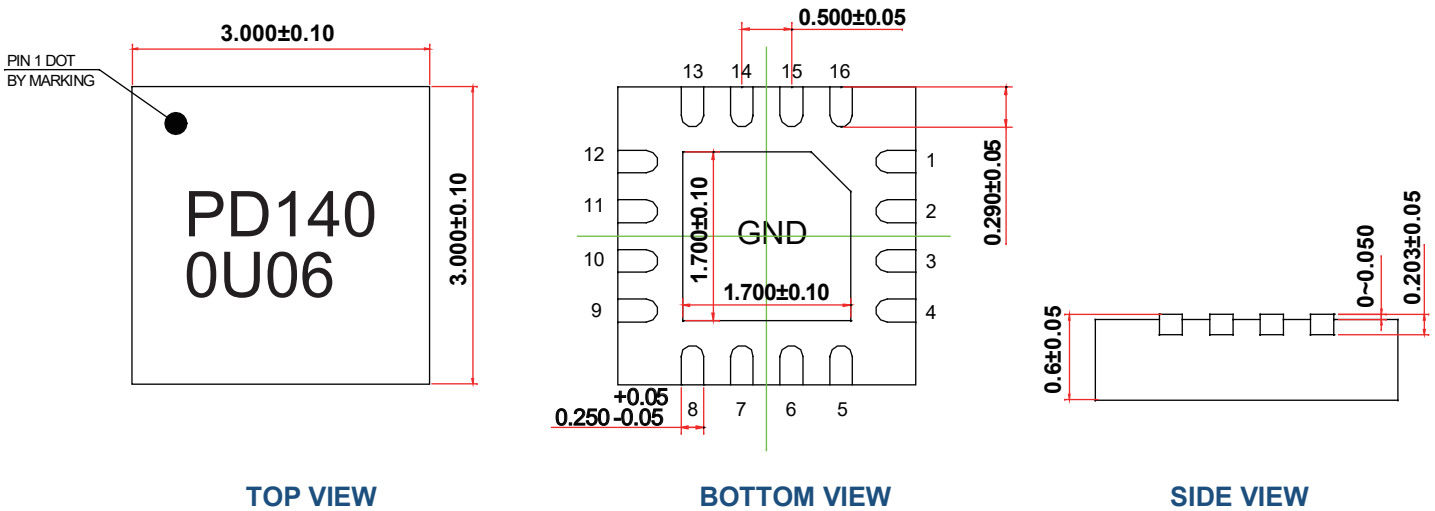
PD1400U06-524

Power Divider/Combiner

4-Way 0° 50Ω 1.15-1.65 GHz



Outline Drawing

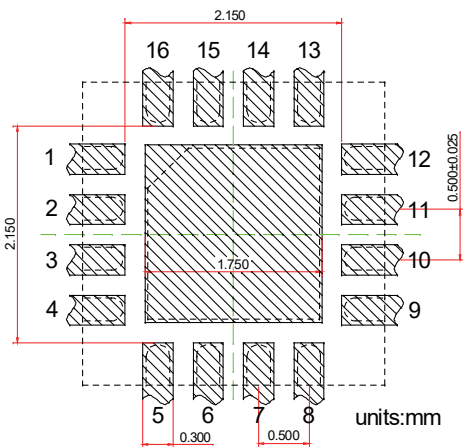


TOP VIEW

BOTTOM VIEW

SIDE VIEW

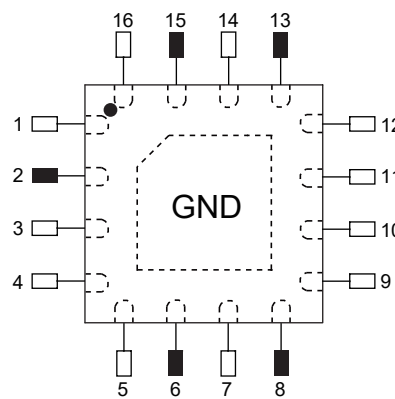
Land Pattern



Recommended Land Pattern
Top View

Notes: All dimensions show in millimeters

Pin Out



TOP VIEW

Notes:

1. Require to add Capacitors of DC Blocker between Pins (with black color) and external circuit to prevent DC signal entry to guarantee normal work.
2. This part has passed through 100% RF test.

Pin #	Connection
1	GND
2	PORT 1 (IN/SUM)
3	NC
4	GND
5	GND
6	PORT 2
7	NC
8	PORT 3
9	NC
10	GND
11	GND
12	NC
13	PORT 4
14	NC
15	PORT 5
16	GND
Center Pad	GND

Yantel Corporation

Add: No.308-322, 3F, Building 1, Juchuang Jingu Innovation Park, Wenyuan Road 35, Xili Street, Nanshan, Shenzhen, China

Tel: 86-755-8355-1886 Fax: 86-755-8355-2533

Rev A4.1

For detailed performance specs & shopping online see Yantel web site : www.yantel-corp.com