

Data Sheet

PD1500U03W

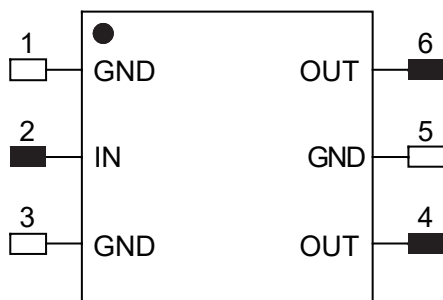
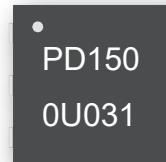
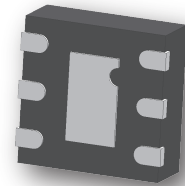
Power Divider/Combiner

2-Way 0° 50Ω 1.0-2.0 GHz



Features

- Small Size (2×2mm DFN package)
- No need external 100 Ω resistor
- Very Low Loss
- Tight Amplitude Balance
- High Isolation
- Low VSWR
- Good Repeatability
- Tape & Reel
- Operating Temperature -40°C~105°C
- Storage Temperature -40°C~105°C
- Power handling
 - 2 Watts as a divider
 - 1 Watts as a combiner



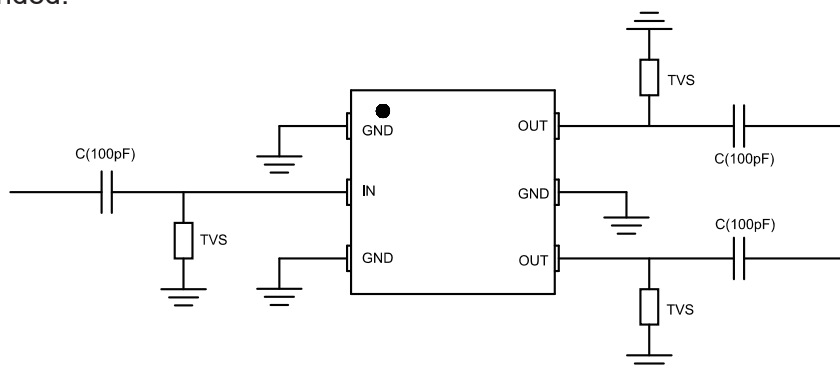
TOP VIEW

Applications

- Wireless communications
- WLAN / WiMax
- SAT Radio
- ISM band instrument
- Information System for Automotive Safety

Notes:

1. This part has passed through 100% RF test.
2. Suggest to add Capacitors of DC Blocker between Pins (with black color) and external circuit to prevent DC signal entry to guarantee parts normal work.
3. Suggest to add a TVS Diode in parallel between Electrode (with black color) and Capacitor of DC Blocker to provide ESD protection for the product. TVS Diode use ON Semiconductor's ESD9101 is recommended.



ESD Rating

Human Body Model (HBM): Class 1 ($\leq 800V$) in accordance with ANSI/ESD STM 5.1 - 2001

Machine Model (MM): Class M1 (50 to $\leq 100V$) in accordance with ANSI/ESD STM 5.2 - 1999

Yantel Corporation

Add: No.308-322, 3F, Building 1, Jchuang Jingu Innovation Park, Wenyuan Road 35, Xili Street, Nanshan, Shenzhen, China

Tel: 86-755-8355-1886 Fax: 86-755-8355-2533

Data Sheet

PD1500U03W

Power Divider/Combiner

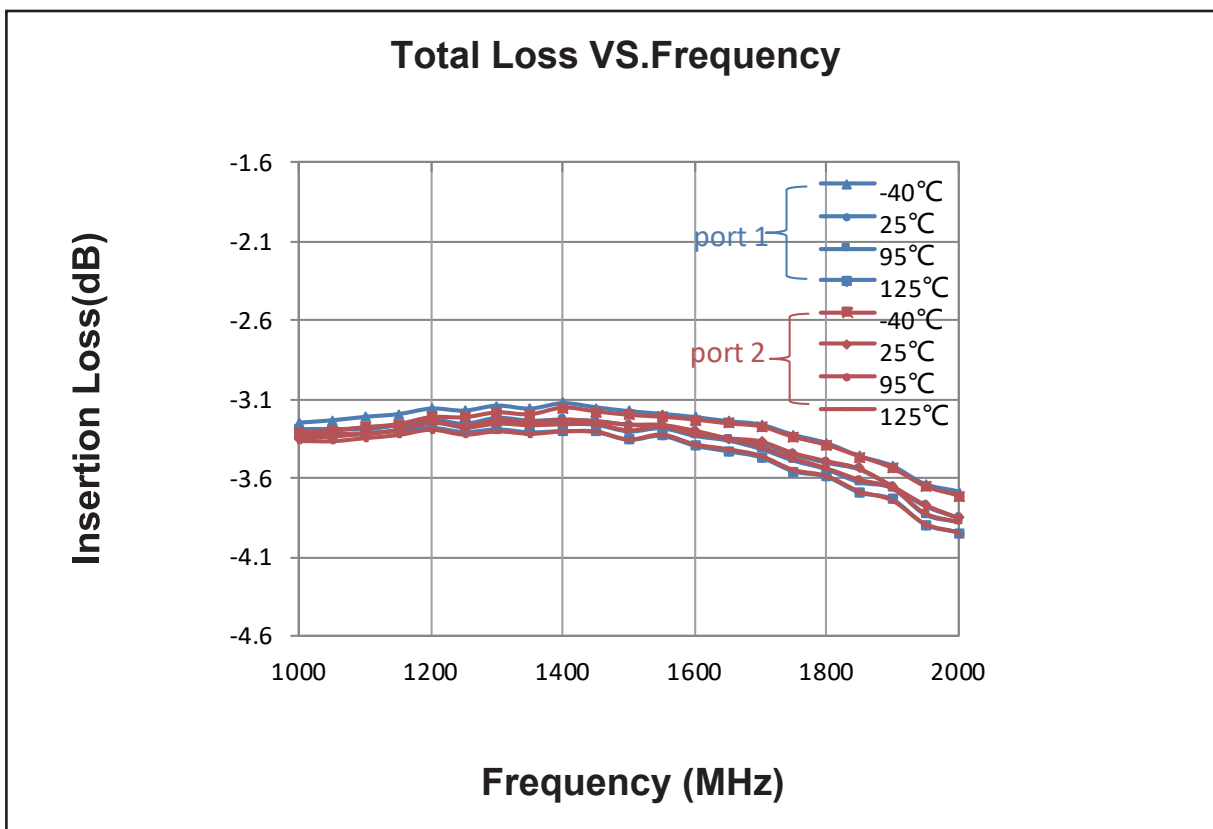
2-Way 0° 50Ω 1.0-2.0 GHz



Frequency <i>MHz</i>	Isolation <i>dB Min</i>	Input Return Loss <i>(dB) Min</i>	Output Return Loss <i>(dB) Min</i>	Insertion Loss <i>(dB)Max</i>
1000-1100	11.5	14.5	15	0.4
1100-1350	13.5	16.0	17	0.4
1350-1650	17.0	15.5	22	0.35
1650-2000	9	8	18	1.0
Phase Balance <i>Degrees</i>	Amplitude Balance <i>dB Max</i>	Power Avg. CW Watts <i>at 105°C</i>	Operating Temp. <i>°C</i>	
±1.00	± 0.10	2	-40 to +105	
±1.00	± 0.10	2	-40 to +105	
±1.20	± 0.10	2	-40 to +105	
±1.40	± 0.10	2	-40 to +105	

- Notes: 1. All the above data are based on specified demo board.
2. Insertion loss: Thru board loss has been removed

Typical Performance (-40°C, 25°C, 85°C, 125°C: 1000-2000 MHz)



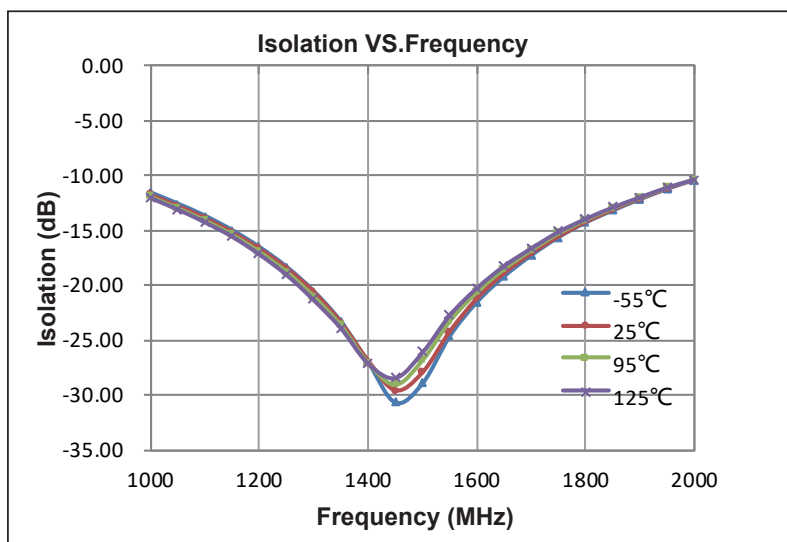
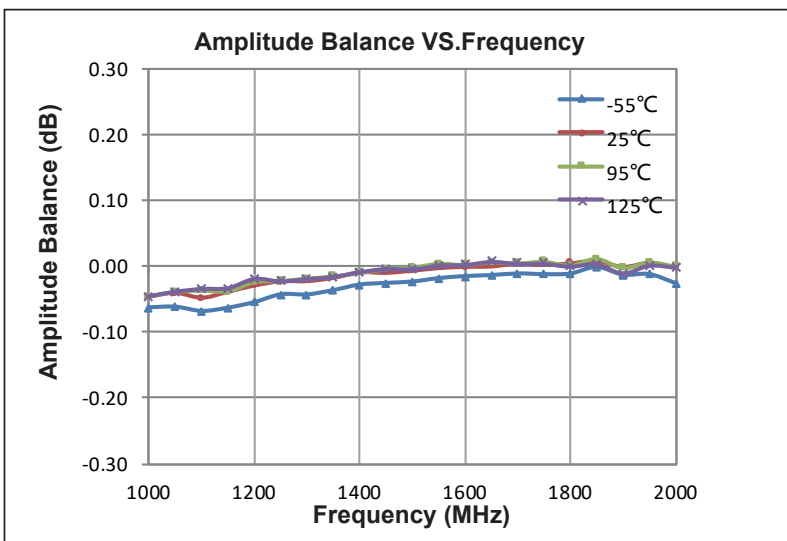
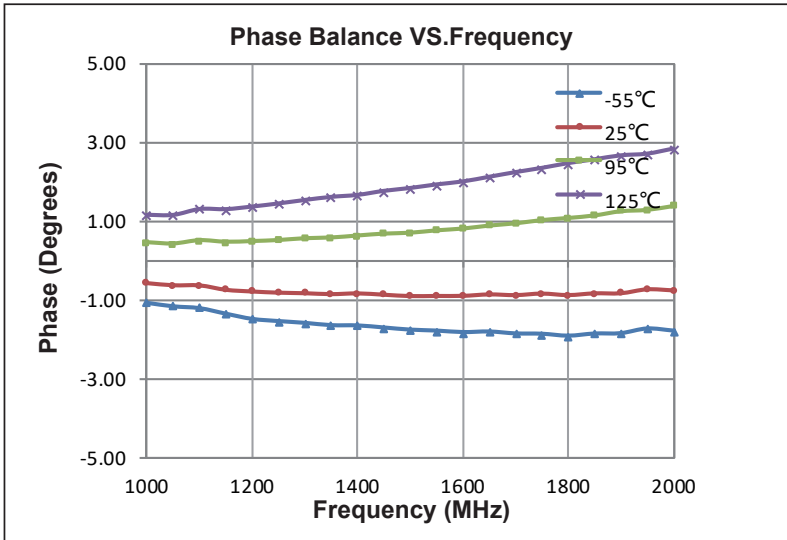
Yantel Corporation

Add: No.308-322, 3F, Building 1, Juchuang Jingu Innovation Park, Wenyuan Road 35, Xili Street, Nanshan, Shenzhen, China
Tel: 86-755-8355-1886 Fax: 86-755-8355-2533

Data Sheet

PD1500U03W

Power Divider/Combiner
2-Way 0° 50Ω 1.0-2.0 GHz



Yantel Corporation

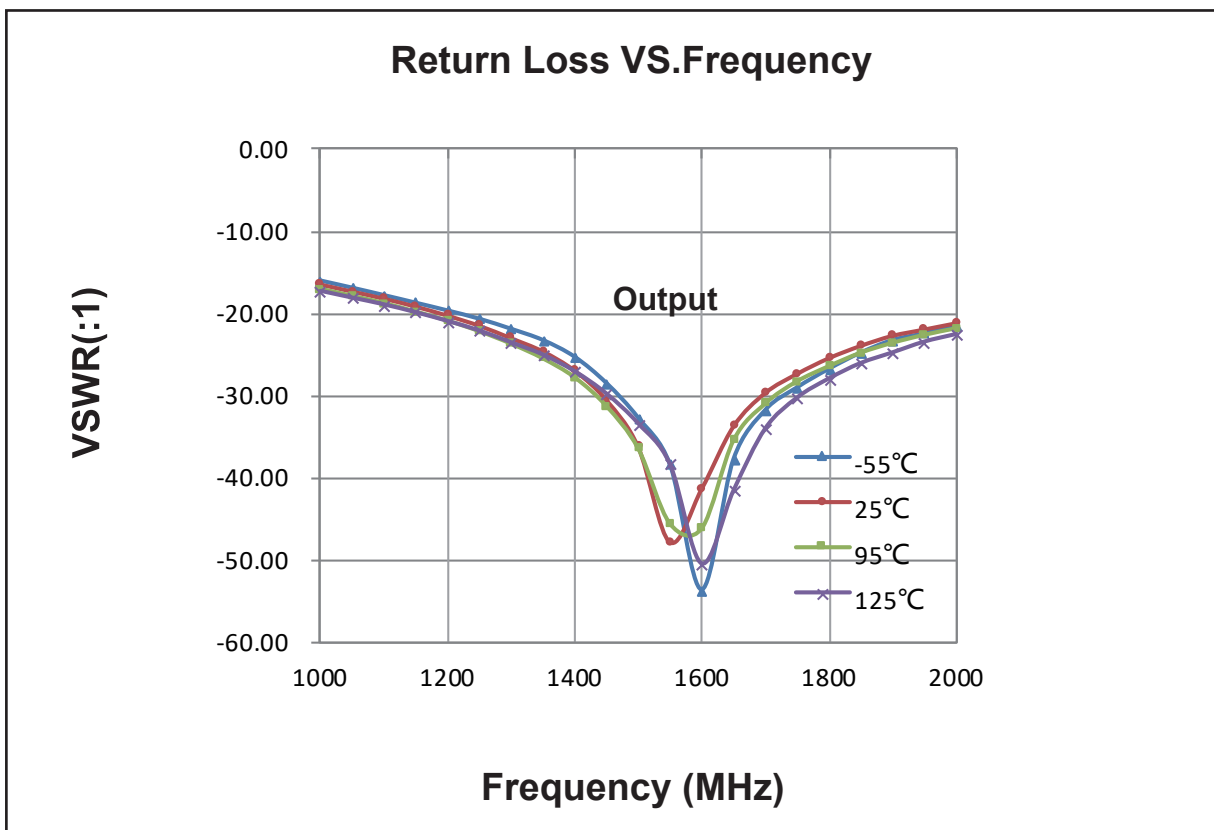
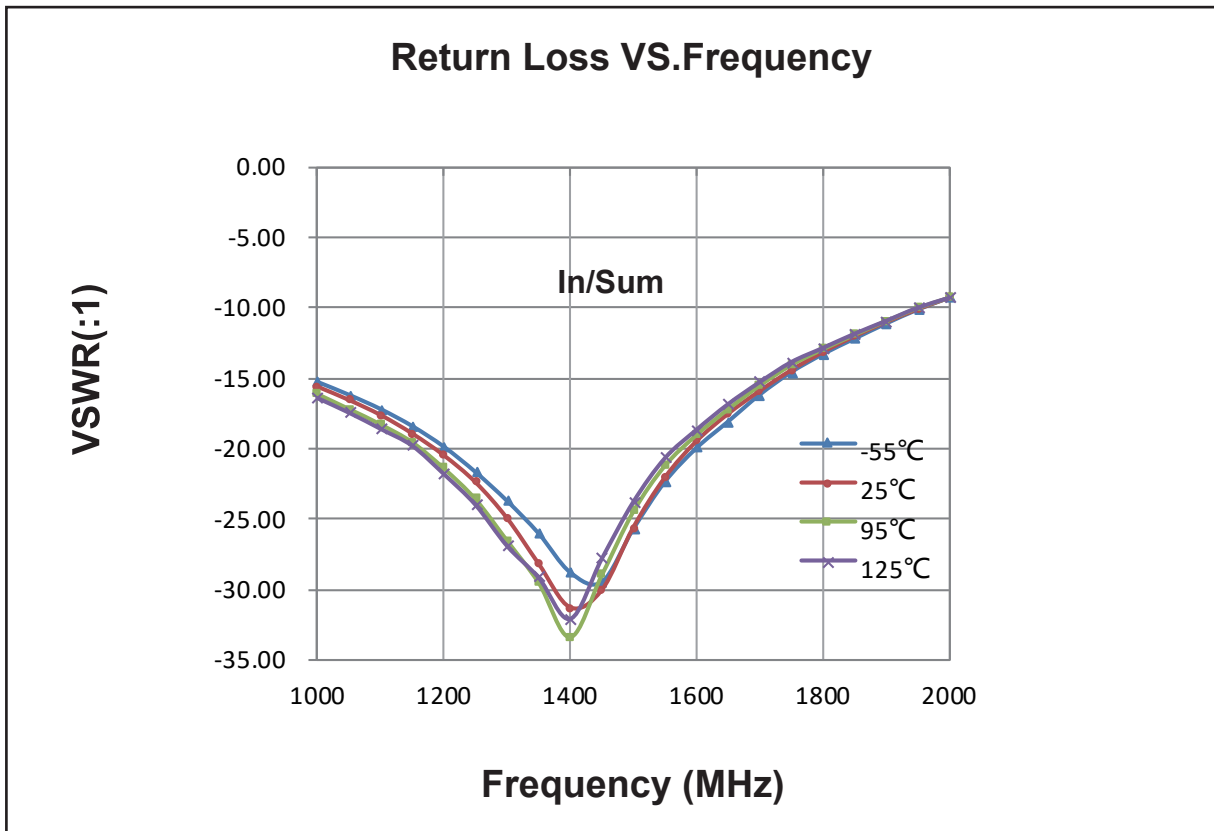
Add: No.308-322, 3F, Building 1, Juchuang Jingu Innovation Park, Wenyuan Road 35, Xili Street, Nanshan, Shenzhen, China
Tel: 86-755-8355-1886 Fax: 86-755-8355-2533

Data Sheet

PD1500U03W

Power Divider/Combiner

2-Way 0° 50Ω 1.0-2.0 GHz



Yantel Corporation

Add: No.308-322, 3F, Building 1, Juchuang Jingu Innovation Park, Wenyuan Road 35, Xili Street, Nanshan, Shenzhen, China
Tel: 86-755-8355-1886 Fax: 86-755-8355-2533

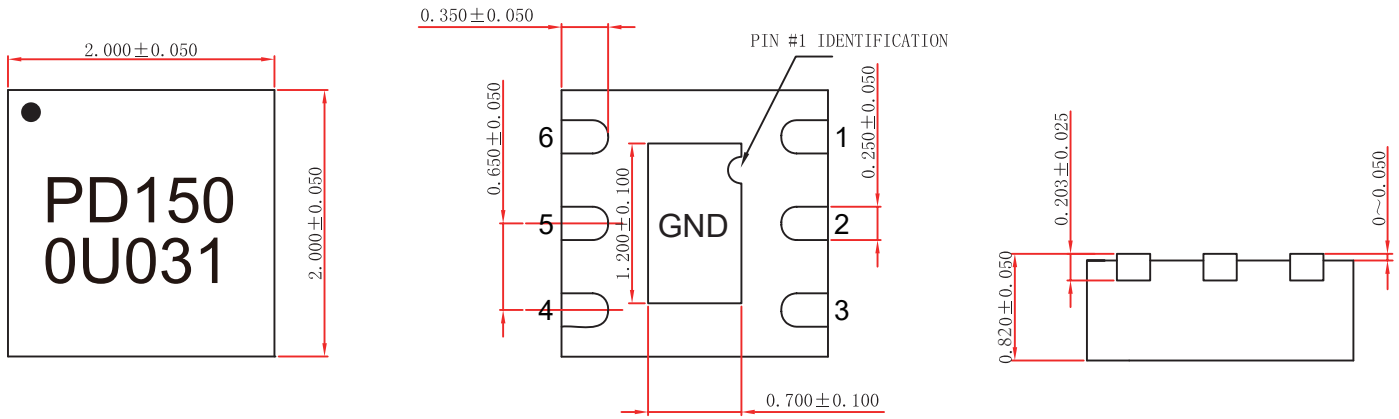
Data Sheet

PD1500U03W

Power Divider/Combiner
2-Way 0° 50Ω 1.0-2.0 GHz



Outline Drawing

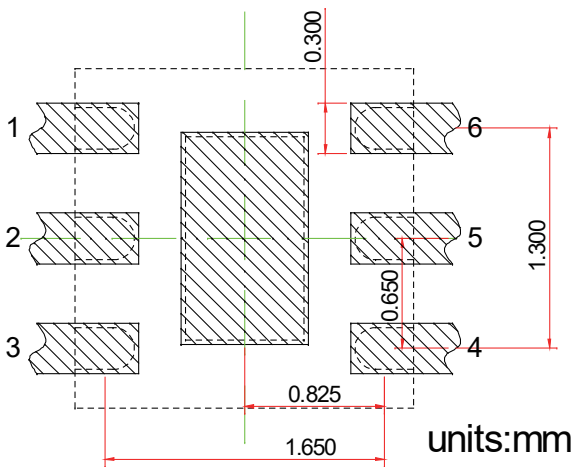


TOP VIEW

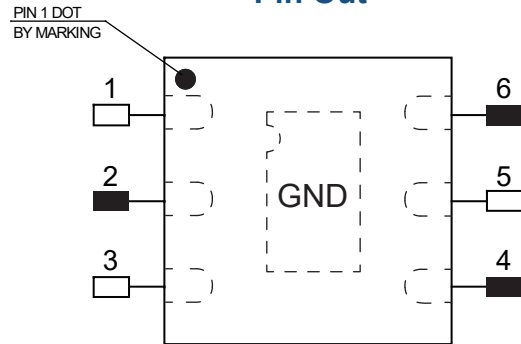
BOTTOM VIEW

SIDE VIEW

Land Pattern



Pin Out



TOP VIEW

Notes:

1. Require to add Capacitors of DC Blocker between Pins (with black color) and external circuit to prevent DC signal entry to guarantee parts normal work.
2. This part has passed through 100% RF test.

Recommended Land Pattern Top View

Notes: All dimensions show in millimeters

Pin #	Connection
1	GND
2	IN
3	GND
4	OUT
5	GND
6	OUT
Center Pad	GND

Yantel Corporation

Add: No.308-322, 3F, Building 1, Juchuang Jingu Innovation Park, Wenyuan Road 35, Xili Street, Nanshan, Shenzhen, China
Tel: 86-755-8355-1886 Fax: 86-755-8355-2533