

Data Sheet

PD1700U03W

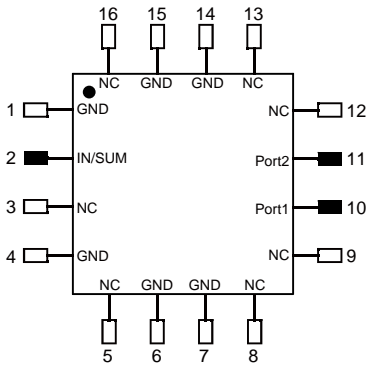
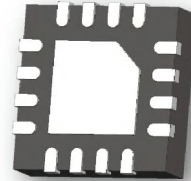
Power Divider/Combiner

2-Way 0° 50Ω 0.6-2.9 GHz



Features

- Small Size (3x3mm QFN package)
 - No need external 100 Ω resistor
 - Very Low Loss
 - Tight Amplitude Balance
 - High Isolation
 - Low VSWR
 - Good Repeatability
 - Tape & Reel
 - Operating Temperature -40°C~85°C
- Power handling
- 2.0 Watts as a divider
 - 1.0Watts as a combiner



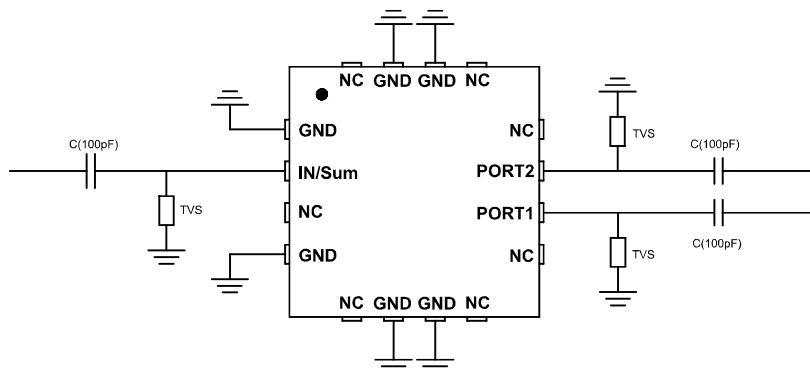
TOP VIEW

Applications

- Wireless communications
- WLAN / WiMax
- SAT Radio
- ISM band instrument
- Information System for Automotive Safety

Notes:

1. This part has passed through 100% RF test.
2. Suggest to add Capacitors of DC Blocker between Pins(with black color) and external circuit to prevent DC signal entry to guarantee parts normal work.
3. Suggest to add a TVS Diode in parallel between Electrode (with black color) and Capacitor of DC Blocker to provide ESD protection for the product. TVS Diode use ON Semiconductor's ESD9101 is recommended.



ESD Rating

Human Body Model (HBM): ≤ 800V in accordance with ANSI/ESD STM 5.1 - 2001

Machine Model (MM): ≤ 100V in accordance with ANSI/ESD STM 5.2 - 1999

Yantel Corporation

Add: 3F, Building 3, Southern District 2 of Zhongguan Honghualing Industrial Park, Xili, Nanshan, Shenzhen, China
Tel: 86-755-8355-1886 Fax: 86-755-8355-2533

Data Sheet

PD1700U03W

Power Divider/Combiner

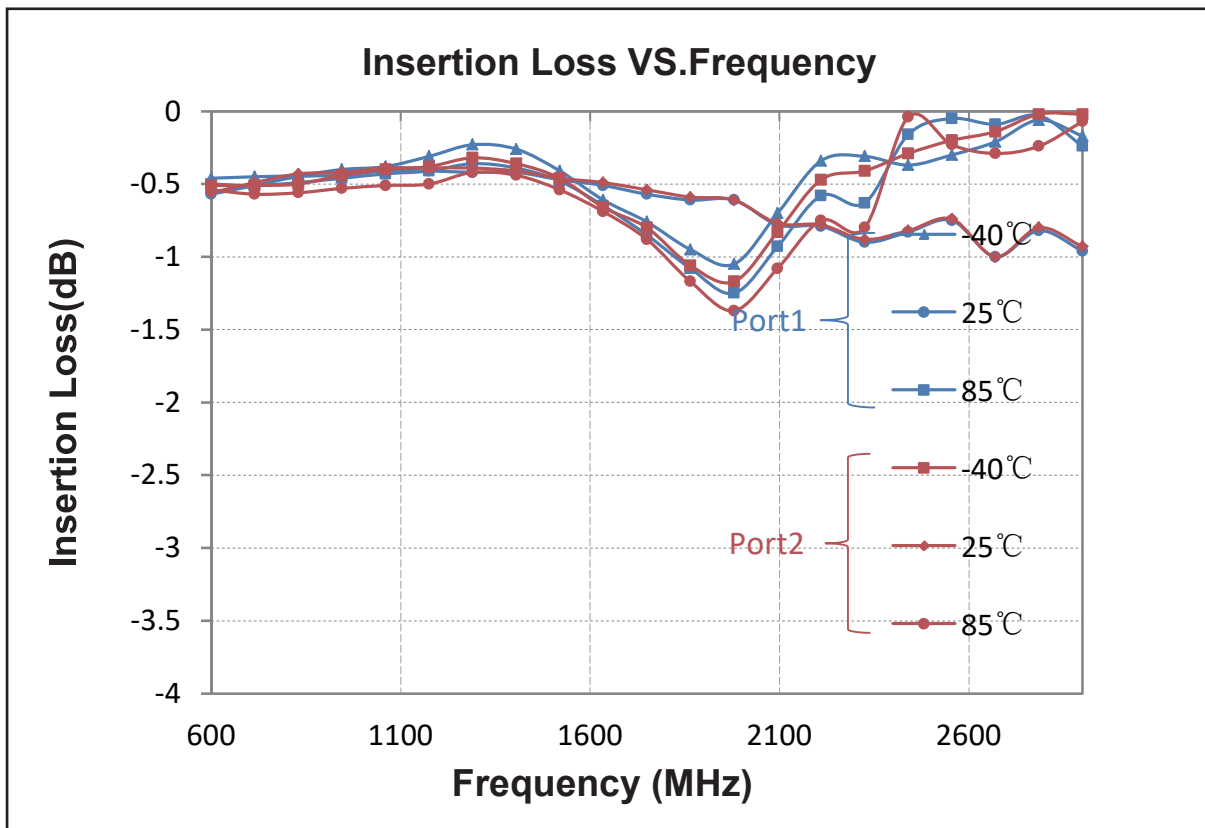
2-Way 0° 50Ω 0.6-2.9 GHz



Electrical Specifications at 25° C

Parameter	Symbol	Min	Typ	Max	Unit
Frequency Range	F	600		2900	MHz
Insertion Loss (Above 3dB)	I_L		0.85	1.30	dB
Isolation	Isol	8	15		dB
Phase balance	ϕ_{bal}		1.0	3.5	deg
Amplitude balance	A_{bal}		± 0.05	± 0.15	dB
Input VSWR			1.25	1.8	
Output VSWR			1.4	1.8	

Typical Performance (-40°C, 25°C, 85°C, 125°C: 600-2900 MHz)



Yantel Corporation

Add: 3F, Building 3, Southern District 2 of Zhongguan Honghualing Industrial Park, Xili, Nanshan, Shenzhen, China

Tel: 86-755-8355-1886 Fax: 86-755-8355-2533

Rev A4

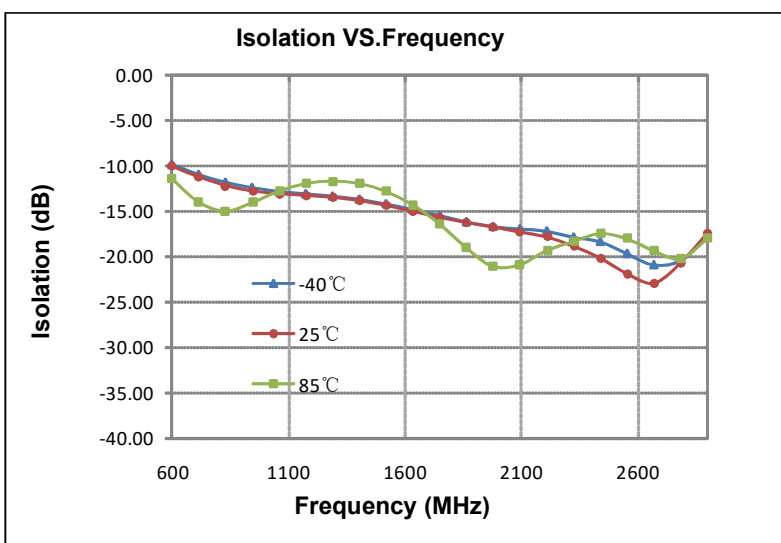
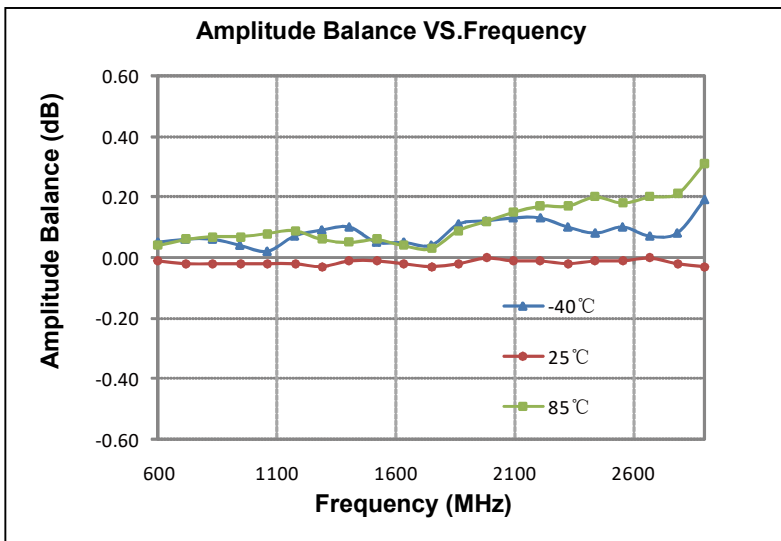
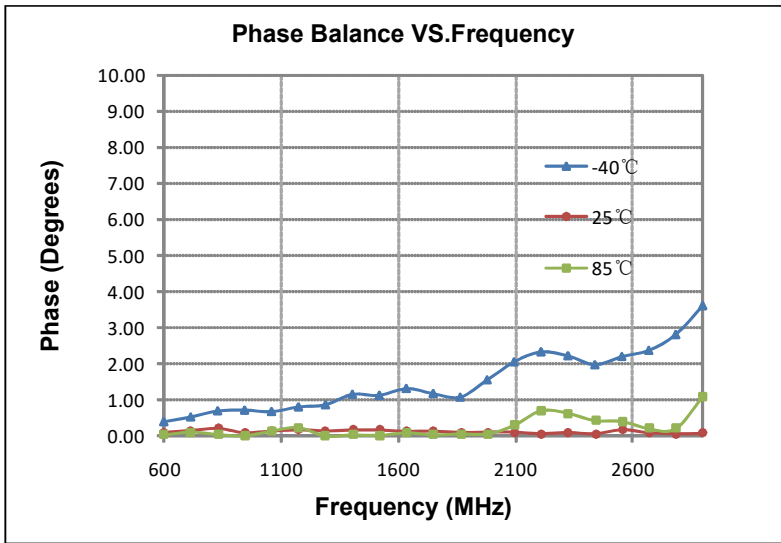
For detailed performance specs & shopping online see Yantel web site : www.yantel-corp.com

Data Sheet

PD1700U03W

Power Divider/Combiner

2-Way 0° 50Ω 0.6-2.9 GHz



Yantel Corporation

Add: 3F, Building 3, Southern District 2 of Zhongguan Honghualing Industrial Park, Xili, Nanshan, Shenzhen, China

Tel: 86-755-8355-1886 Fax: 86-755-8355-2533

Rev A4

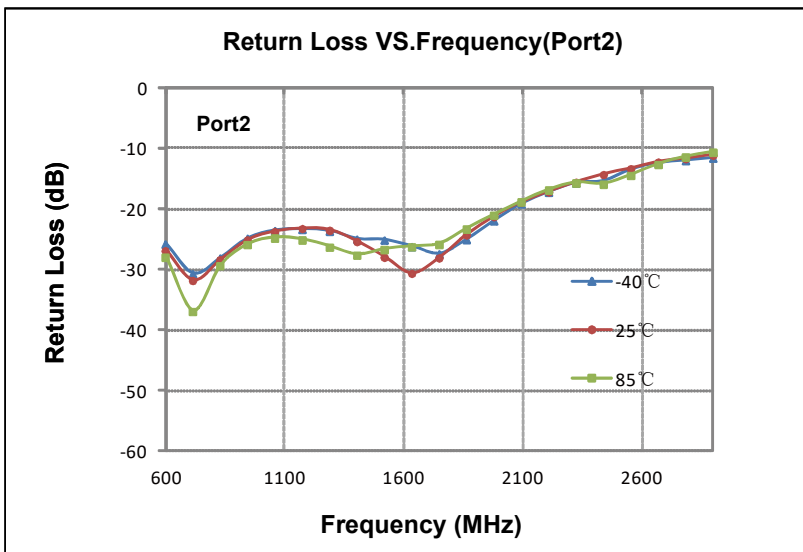
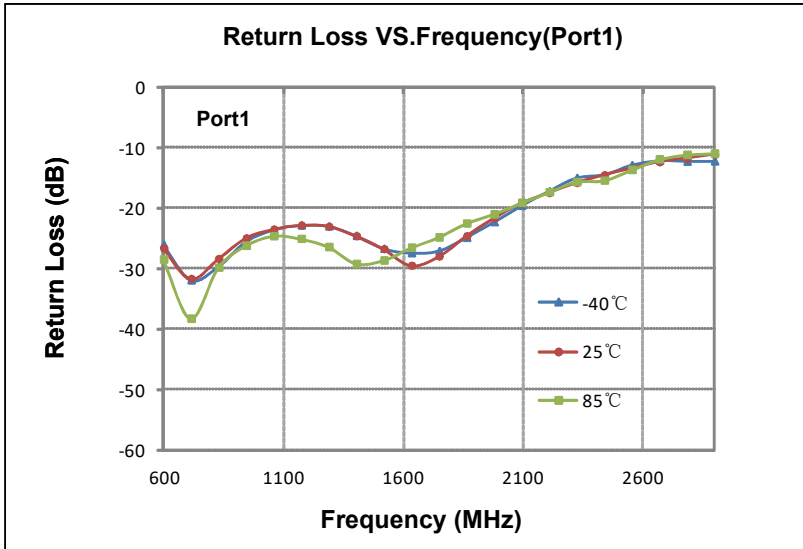
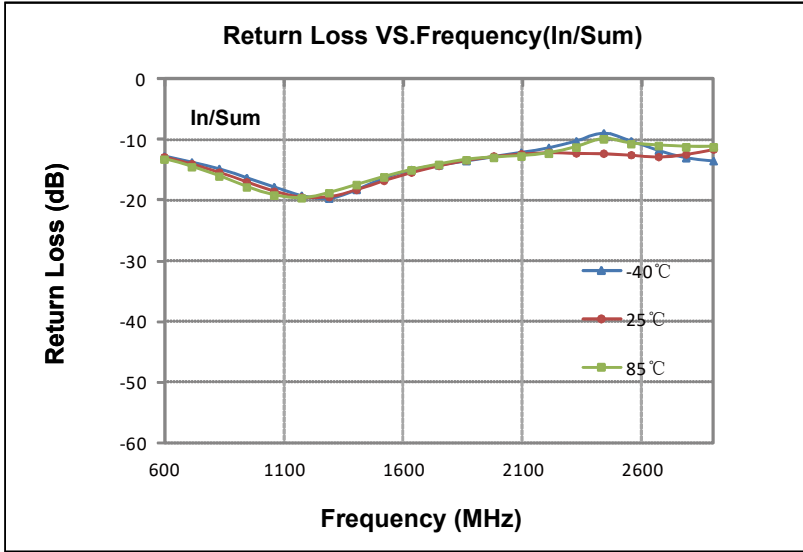
For detailed performance specs & shopping online see Yantel web site : www.yantel-corp.com

Data Sheet

PD1700U03W

Power Divider/Combiner

2-Way 0° 50Ω 0.6-2.9 GHz



Yantel Corporation

Add: 3F, Building 3, Southern District 2 of Zhongguan Honghualing Industrial Park, Xili, Nanshan, Shenzhen, China

Tel: 86-755-8355-1886 Fax: 86-755-8355-2533

Rev A4

For detailed performance specs & shopping online see Yantel web site : www.yantel-corp.com

Data Sheet

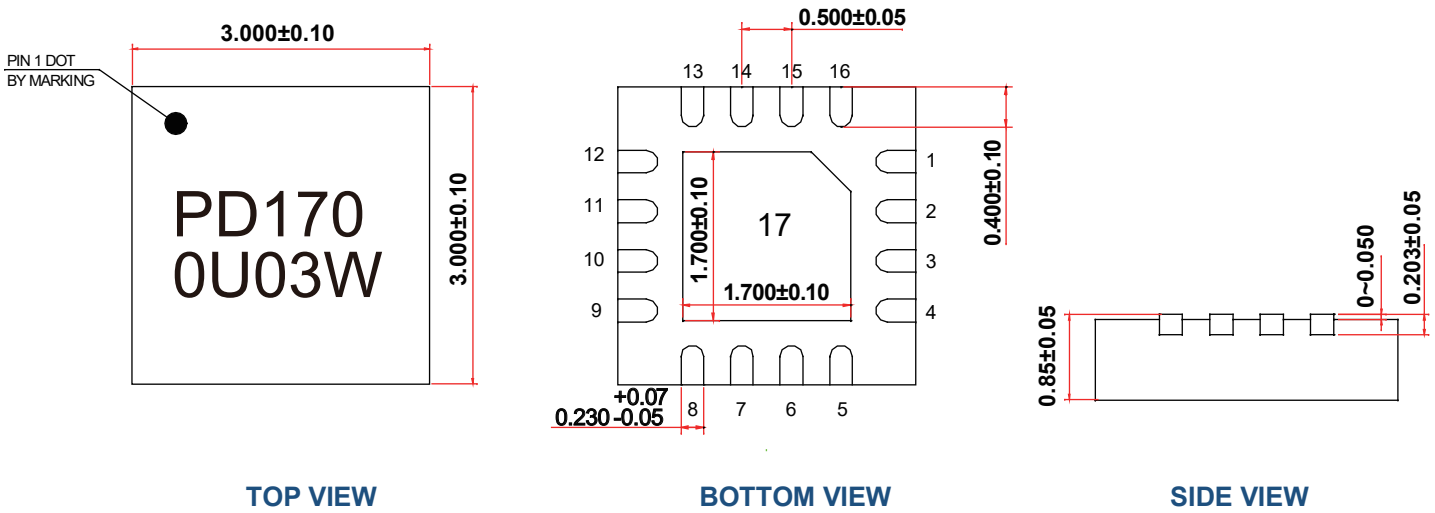
PD1700U03W

Power Divider/Combiner

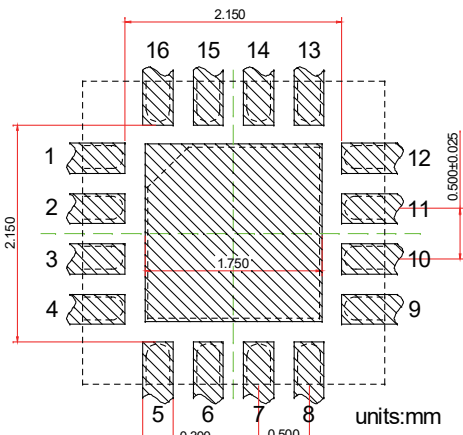
2-Way 0° 50Ω 0.6-2.9 GHz



Outline Drawing



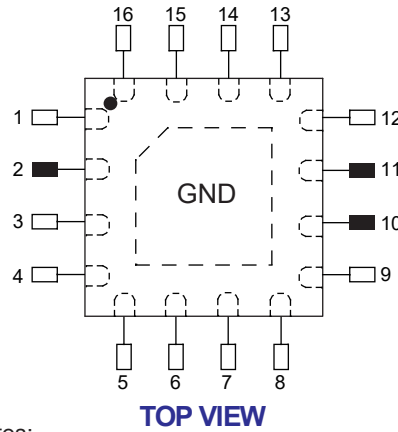
Land Pattern



Recommended Land Pattern Top View

Notes: All dimensions show in millimeters

Pin Out



TOP VIEW

Notes:

1. Require to add Capacitors of DC Blocker between Pins (with black color) and external circuit to prevent DC signal entry to guarantee normal work.
2. This part has passed through 100% RF test.

Pin #	Connection
1	GND
2	IN/SUM
3	NC
4	GND
5	NC
6	GND
7	GND
8	NC
9	NC
10	PORT1
11	PORT2
12	NC
13	NC
14	GND
15	GND
16	NC
17	GND

Yantel Corporation

Add: 3F, Building 3, Southern District 2 of Zhongguan Honghualing Industrial Park, Xili, Nanshan, Shenzhen, China

Tel: 86-755-8355-1886 Fax: 86-755-8355-2533

Rev A4

For detailed performance specs & shopping online see Yantel web site : www.yantel-corp.com