

Data Sheet

PD185U03-080

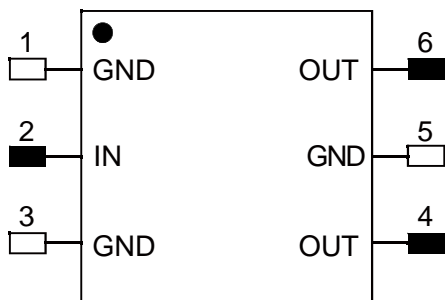
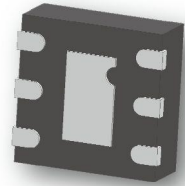
Power Divider/Combiner

2-Way 0° 50Ω 1.65-2.05 GHz



Features

- Small Size (2x2mm DFN package)
- Passive RF IC, no need external DC power supply
- No need external 100 Ω resistor
- Very Low Loss
- Tight Amplitude Balance
- High Isolation
- Low VSWR
- Good Repeatability
- Tape & Reel
- Operating Temperature -40°C~85°C
- Power handling
 - 2 Watts as a divider
 - 1 Watts as a combiner



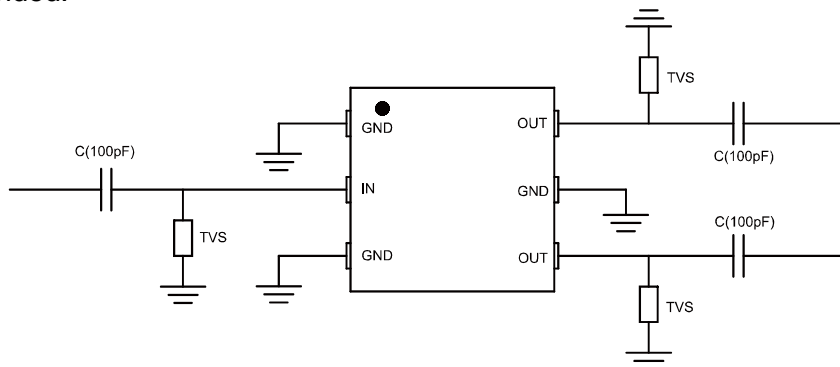
TOP VIEW

Applications

- Wireless communications
- WLAN / WiMax
- SAT Radio
- ISM band instrument
- Information System for Automotive Safety

Notes:

1. This part has passed through 100% RF test.
2. Suggest to add Capacitors of DC Blocker between Pins(with black color) and external circuit to prevent DC signal entry to guarantee parts normal work.
3. Suggest to add a TVS Diode in parallel between Electrode (with black color) and Capacitor of DC Blocker to provide ESD protection for the product. TVS Diode use ON Semiconductor's ESD9101 is recommended.



ESD Rating

Human Body Model (HBM): ≤ 800V in accordance with ANSI/ESD STM 5.1 - 2001

Machine Model (MM): ≤ 100V in accordance with ANSI/ESD STM 5.2 - 1999

Yantel Corporation

Add: 3F, Building 3, Southern District 2 of Zhongguan Honghualing Industrial Park, Xili, Nanshan, Shenzhen, China
 Tel: 86-755-8355-1886 Fax: 86-755-8355-2533

Data Sheet

PD1850U03-080

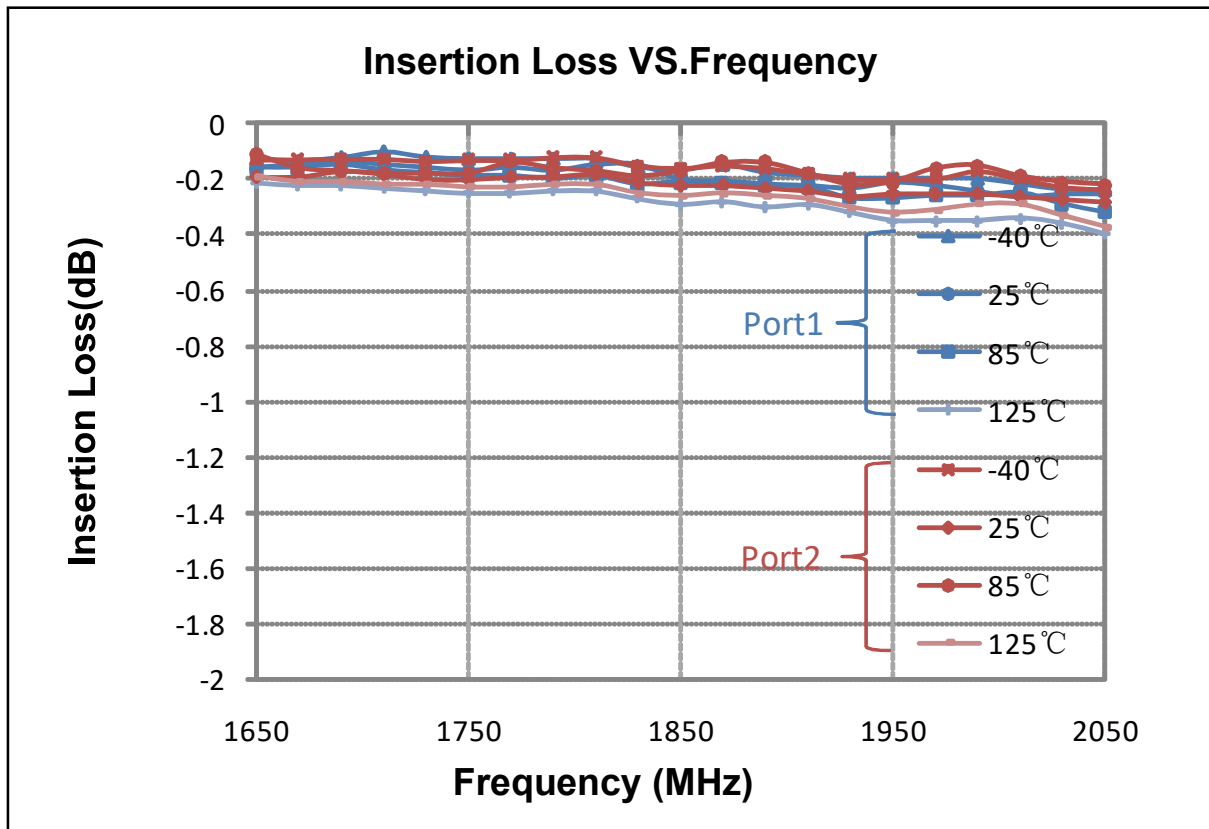
Power Divider/Combiner
2-Way 0° 50Ω 1.65-2.05 GHz



Electrical Specifications at 25° C

Parameter	Symbol	Min	Typ	Max	Unit
Frequency Range	F	1650		2050	MHz
Insertion Loss (Above 3dB)	I _L		0.25	0.45	dB
Isolation	Isol	16	20		dB
Phase balance	∅ _{bal}		1	2	deg
Amplitude balance	A _{bal}		0.05	0.15	dB
Input VSWR			1.2	1.4	
Output VSWR			1.15	1.25	

Typical Performance (-40°C, 25°C, 85°C, 125°C: 1650-2050 MHz)



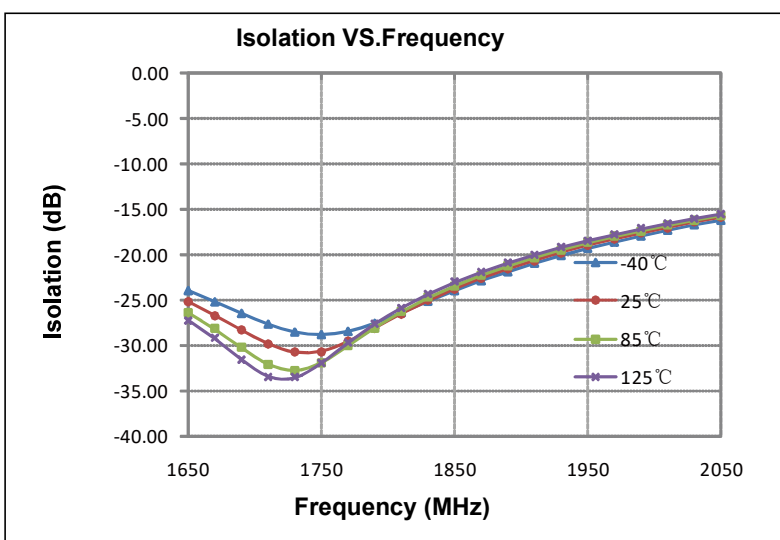
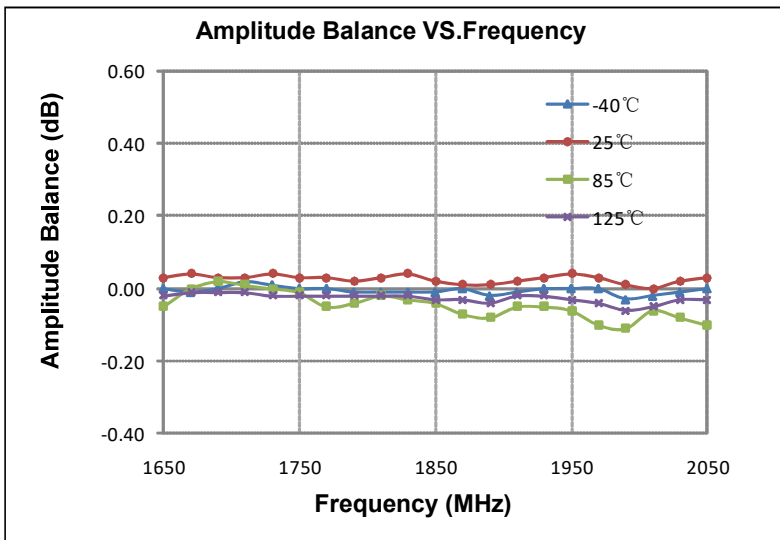
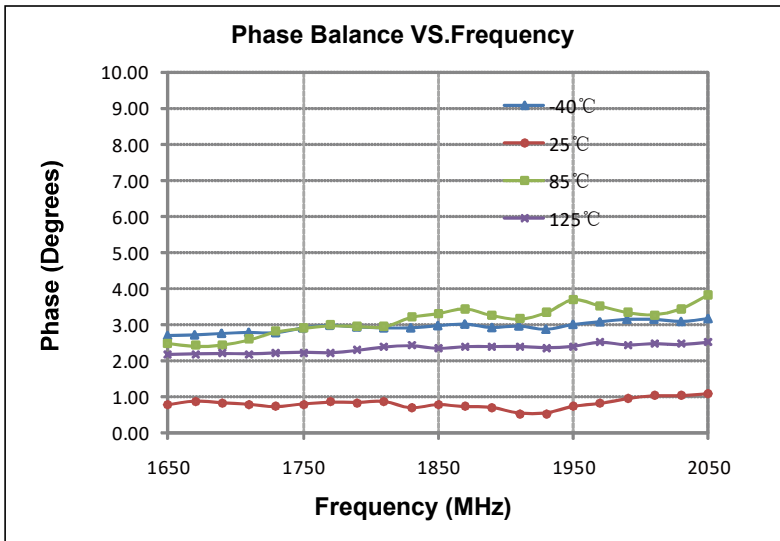
Yantel Corporation

Add: 3F, Building 3, Southern District 2 of Zhongguan Honghualing Industrial Park, Xili, Nanshan, Shenzhen, China
Tel: 86-755-8355-1886 Fax: 86-755-8355-2533

Data Sheet

PD1850U03-080

Power Divider/Combiner
2-Way 0° 50Ω 1.65-2.05 GHz



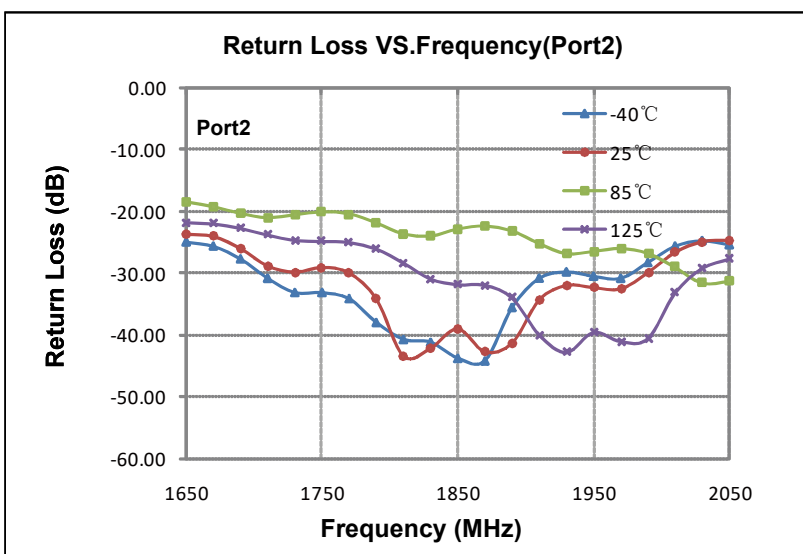
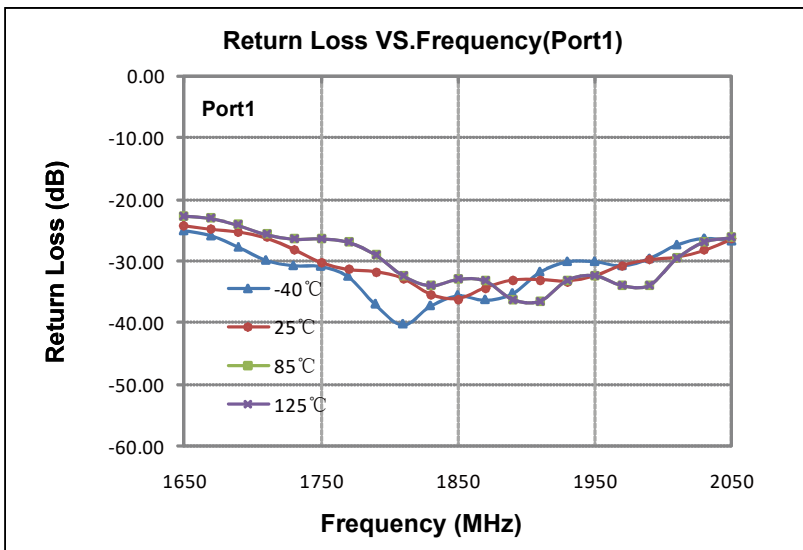
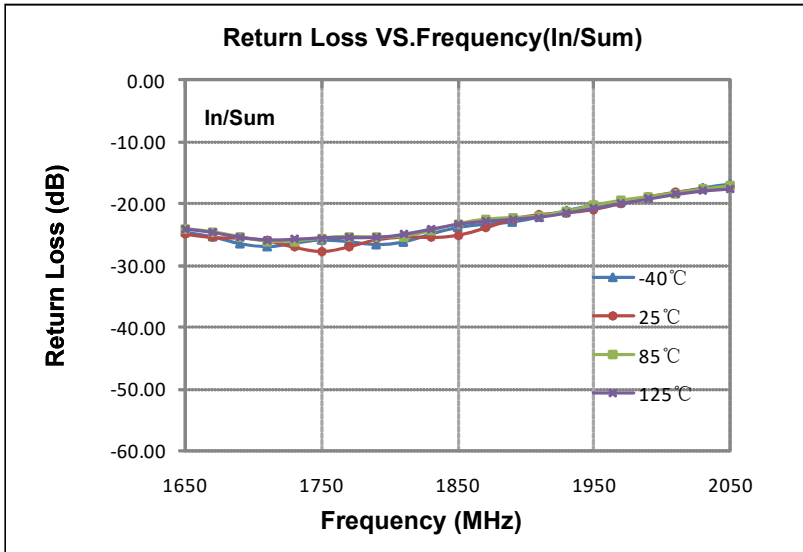
Yantel Corporation

Add: 3F, Building 3, Southern District 2 of Zhongguan Honghualing Industrial Park, Xili, Nanshan, Shenzhen, China
Tel: 86-755-8355-1886 Fax: 86-755-8355-2533

Data Sheet

PD1850U03-080

Power Divider/Combiner
2-Way 0° 50Ω 1.65-2.05 GHz



Yantel Corporation

Add: 3F, Building 3, Southern District 2 of Zhongguan Honghualing Industrial Park, Xili, Nanshan, Shenzhen, China
Tel: 86-755-8355-1886 Fax: 86-755-8355-2533

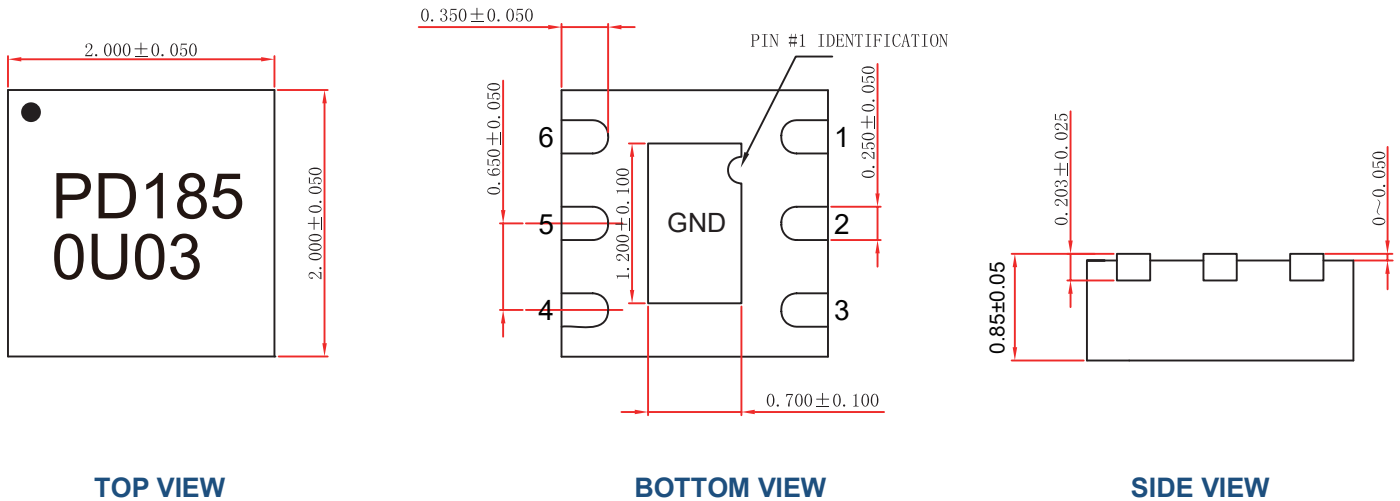
Data Sheet

PD1850U03-080

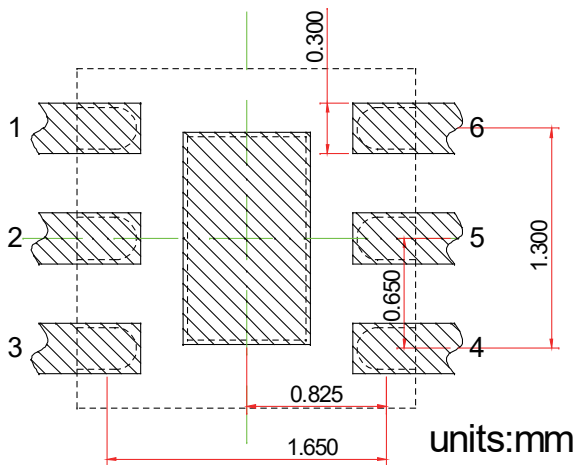
Power Divider/Combiner
2-Way 0° 50Ω 1.65-2.05 GHz



Outline Drawing



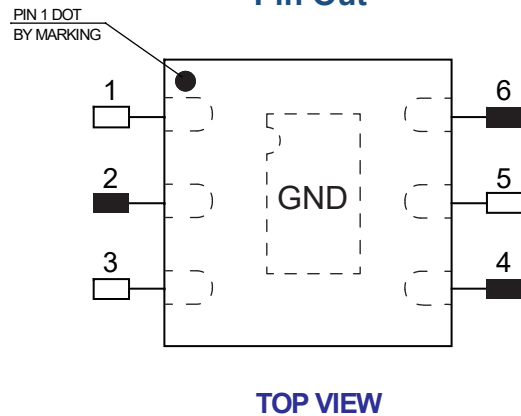
Land Pattern



Recommended Land Pattern Top View

Notes: All dimensions show in millimeters

Pin Out



Notes:

1. Require to add Capacitors of DC Blocker between Pins (with black color) and external circuit to prevent DC signal entry to guarantee parts normal work.
2. This part has passed through 100% RF test.

Pin #	Connection
1	GND
2	IN
3	GND
4	OUT
5	GND
6	OUT
Center Pad	GND

Yantel Corporation

Add: 3F, Building 3, Southern District 2 of Zhongguan Honghualing Industrial Park, Xili, Nanshan, Shenzhen, China
Tel: 86-755-8355-1886 Fax: 86-755-8355-2533