

PD2000U05W

Patented Product

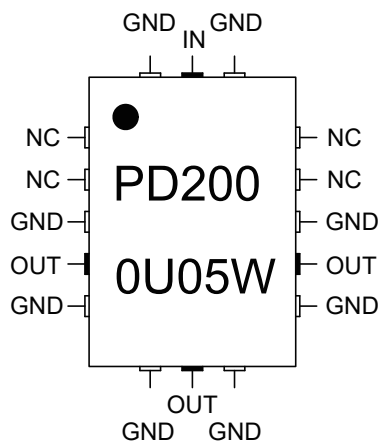
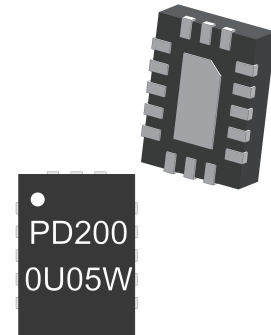
Power Divider/Combiner

3-Way 0° 50Ω 15-25GHz



Features

- Ultra-Wide Bandwidth, DC to 18 GHz
- Small Size, 5x5 mm
- Aqueous Washable
- Good Repeatability
- High ESD level*
- Operating Temperature -40°C~105°C
- Power handling
 - 0.6 Watts as a divider/combiner



TOP VIEW



Applications

- 5G
- Phased Array Radar
- Instrumentation
- MIMO
- Satellite communications

Notes:

1. This part has passed through 100% RF test.

* ESD rating

Human body model (HBM): Class 2 (2000 to <4000V) in accordance with ANSI/ESD 5.1-2007

Machine model: Class M3 (200 to <4000V) in accordance with ANSI/ESD 5.2-2009

Yantel Corporation

Add: 3F, Building 3, Southern District 2 of Zhongguan Honghualing Industrial Park, Xili, Nanshan, Shenzhen, China

Tel: 86-755-8355-1886 Fax: 86-755-8355-2533

Rev A1.0

For detailed performance specs & shopping online see Yantel web site : www.yantel-corp.com

PD20000U05W
Patented Product
Power Divider/Combiner
3-Way 0° 50Ω 15-25GHz



Electrical Specifications at 25° C

Parameter	Frequency (GHz)	Min.	Typ.	Max.	Unit
Frequency Range		15		25	GHz
Insertion Loss Above 4.8 dB	17.55-20.45	/	0.3	/	dB
	15-25	/	0.5	/	
Isolation	17.55-20.45	/	23	/	dB
	15-25	/	27	/	
Phase Unbalance	17.55-20.45	/	0.1	/	Degree
	15-25	/	0.3	/	
Amplitude Unbalance	17.55-20.45	/	1	/	dB
	15-25	/	1	/	
VSWR (Port S)	17.55-20.45	/	1.2	/	:1
	15-25	/	1.2	/	
VSWR (Port 1-4)	17.55-20.45	/	1.2	/	:1
	15-25	/	1.2	/	
Power Handling	As a Splitter	15-25	/	0.5	W
	As a Combiner	15-25	/	0.63	

Yantel Corporation

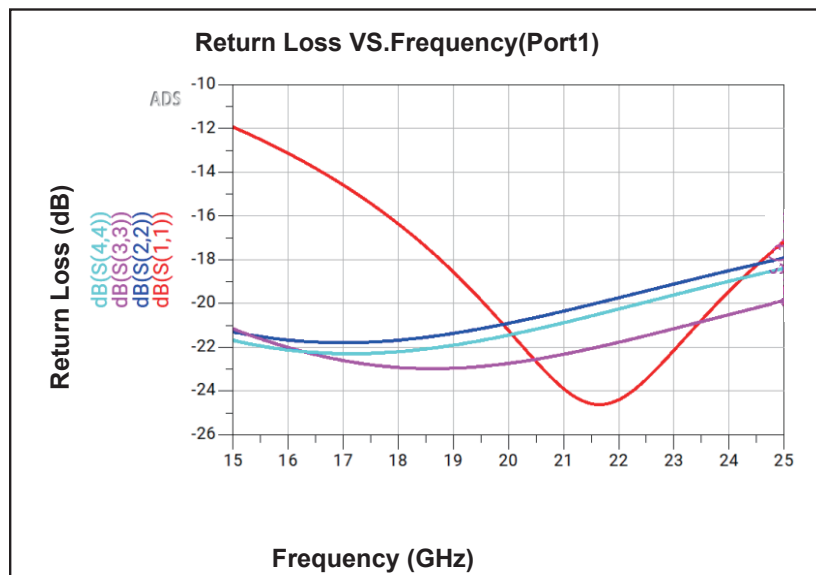
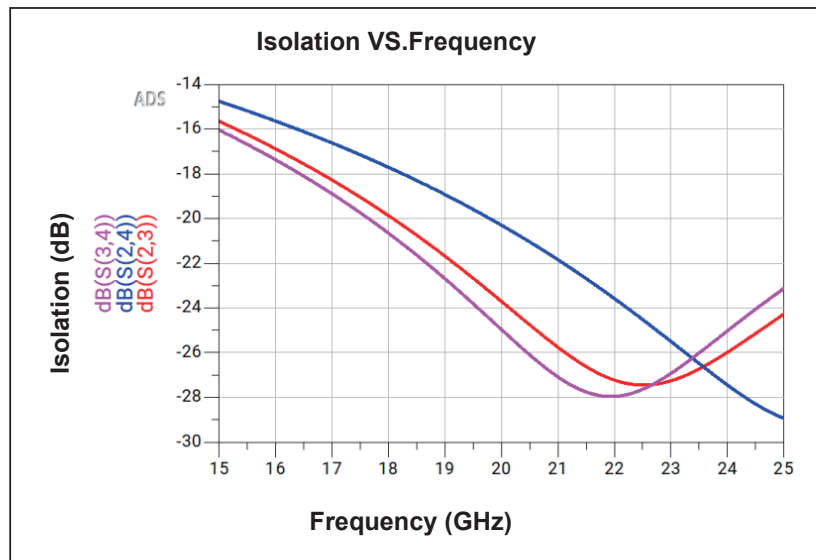
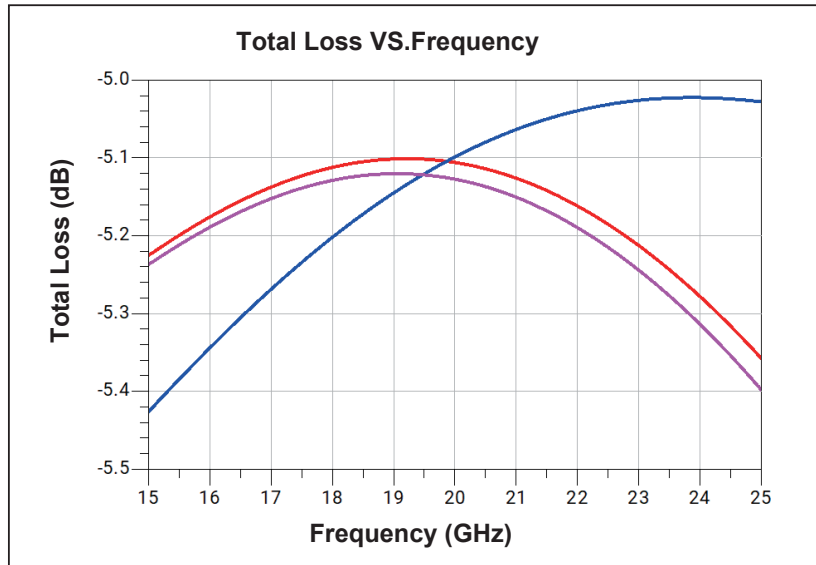
Add: 3F, Building 3, Southern District 2 of Zhongguan Honghualing Industrial Park, Xili, Nanshan, Shenzhen, China
 Tel: 86-755-8355-1886 Fax: 86-755-8355-2533

PD2000U05W

Patented Product

Power Divider/Combiner

3-Way 0° 50Ω 15-25GHz



Yantel Corporation

Add: 3F, Building 3, Southern District 2 of Zhongguan Honghualing Industrial Park, Xili, Nanshan, Shenzhen, China

Tel: 86-755-8355-1886 Fax: 86-755-8355-2533

Rev A1.0

For detailed performance specs & shopping online see Yantel web site : www.yantel-corp.com

PD2000U05W

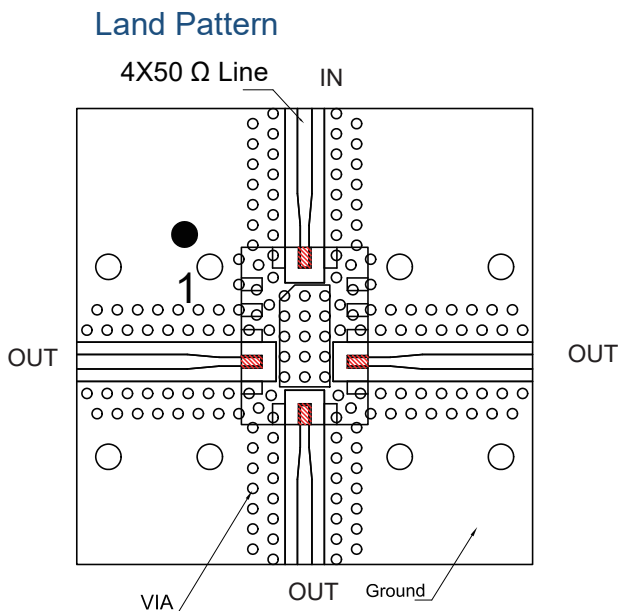
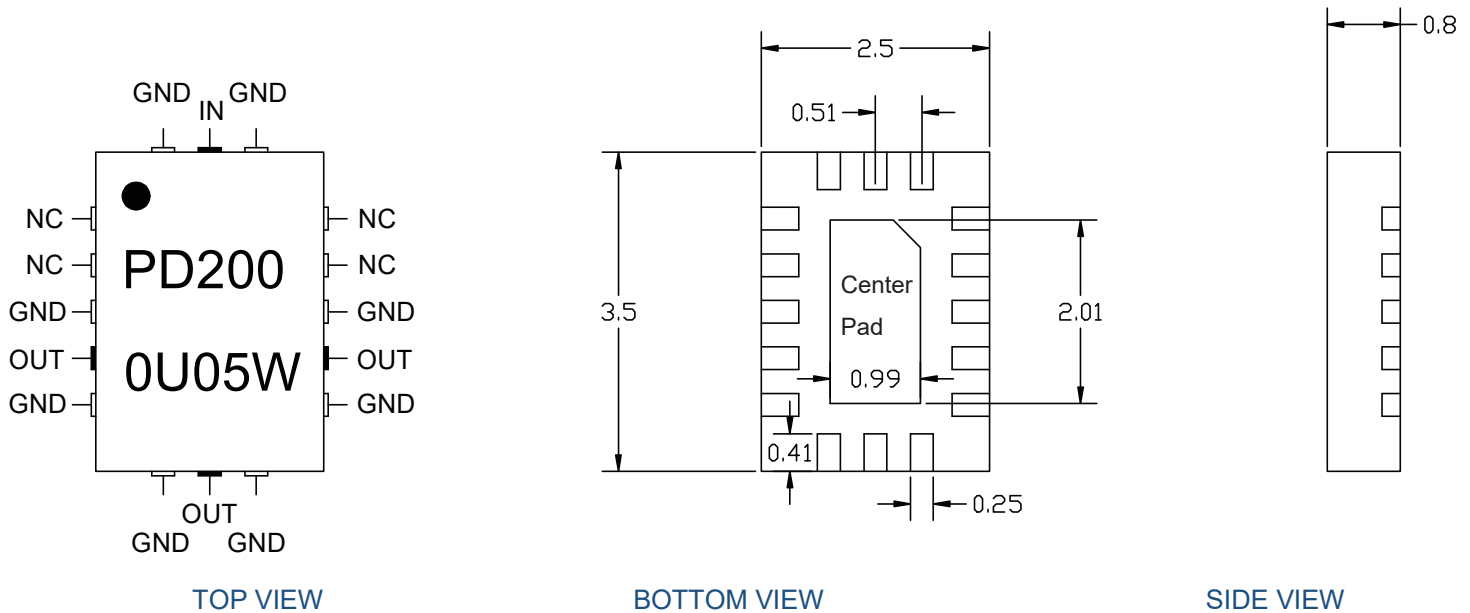
Patented Product

Power Divider/Combiner

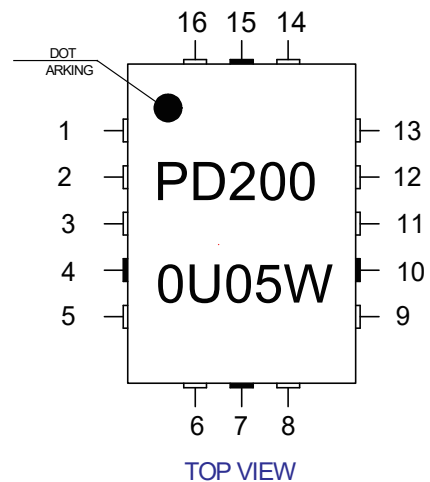
3-Way 0° 50Ω 15-25GHz



Outline Drawing units:mm



- NOTE:
- 50Ω line width is shown above designing from RO4350B dielectric thickness 0.254mm; copper 1/2 OZ
 - Bottom side of the PCB is continuous ground plane.
 - All dimensions shown in mm.



- Notes:
- Require to add Capacitors of DC Blocker between Pins(with black color) and external circuit to prevent DC signal entry to guranteeparts normal work.
 - This part has passed through 100% RF test.

Pin #	Connection
1	GND
2	GND
3	GND
4	OUT
5	GND
6	GND
7	OUT
8	GND
9	GND
10	OUT
11	GND
12	GND

Pin #	Connection
13	GND
14	GND
15	IN
16	GND
Center Pad	GND

Yantel Corporation

Add: 3F, Building 3, Southern District 2 of Zhongguan Honghualing Industrial Park, Xili, Nanshan, Shenzhen, China
 Tel: 86-755-8355-1886 Fax: 86-755-8355-2533

Rev A1.0

For detailed performance specs & shopping online see Yantel web site : www.yantel-corp.com