

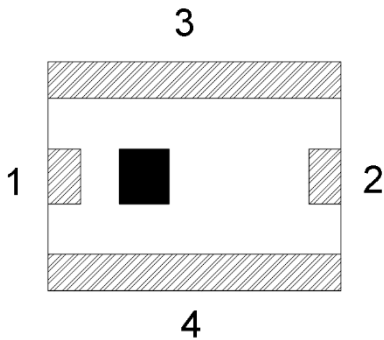
### Features

- Multilayer monolithic construction yields high reliability
- Low insertion loss and small size SMD chip design
- Can simplify your complex tuning and circuit design
- LTCC process

### Specifications

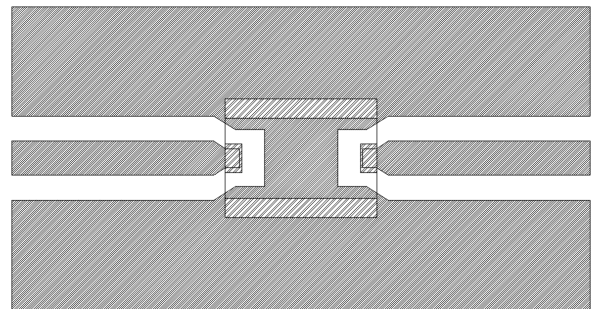
NO.	Parameter	Frequency (MHz)	SPEC		
			Min.	Typ.	Max.
1	Insertion Loss (dB)	1032~1280	-	-	4.5
		1280~1368	-	-	7.5
2	Ripple (dB)	1032~1368	-	-	2.0
3	VSWR	1032~1368	-	-	1.8
4	Attenuation (dB)	DC~933	30	-	-
		1486~4500	35	-	-
		4500~6000	10	-	-
5	In/Output Impedance ( $\Omega$ )		50		

### Construction



PIN	Connection
1	Input Port
2	Output Port
3	GND
4	GND

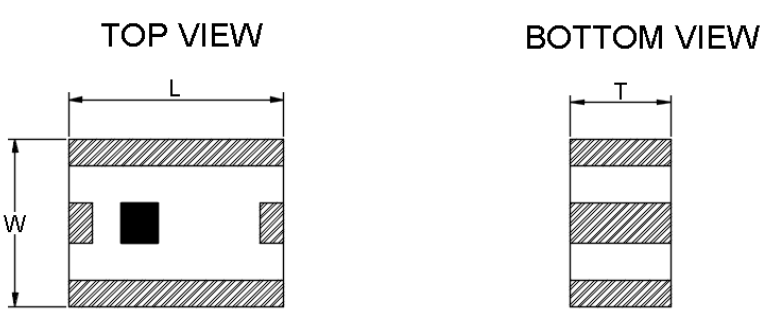
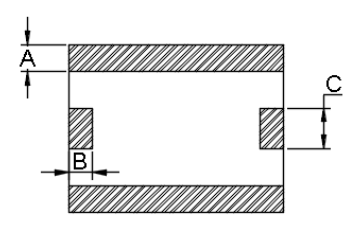
### Mounting Considerations



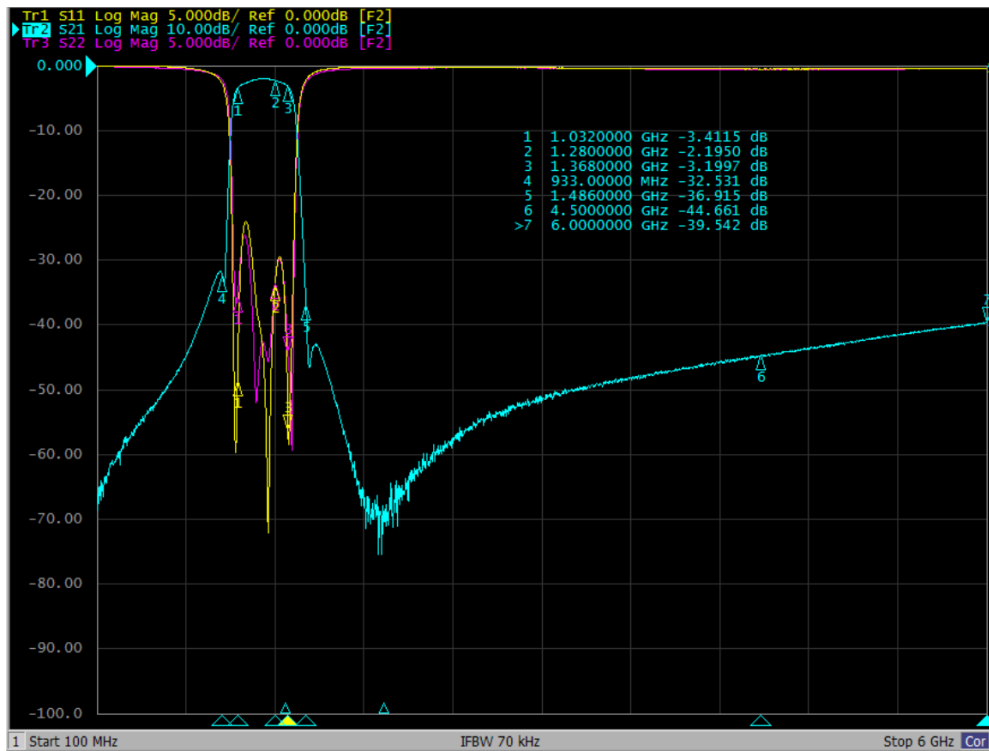
Unit: mm

Line width to be designed to match 50  $\Omega$  characteristic impedance, depending on PCB material and thickness

### Dimensions

Figure	Symbol	Dimension (mm)
	L	3.20±0.20
	W	2.50±0.20
	T	1.50±0.20
	A	0.40±0.10
	B	0.35±0.10
	C	0.60±0.10

### Typical Electrical Characteristics (T=25°C)



### Yantel Corporation

Add: No.308-322,3F,Building 1,Juchuang Jingu Innovation Park,Wenyuan Road 35,Xili Street,Nanshan,Shenzhen,China

Tel: 86-755-8355-1886 Fax: 86-755-8355-2533

For detailed performance specs & shopping online see Yantel web site : [www.yantel-corp.com](http://www.yantel-corp.com)