

### Description

The products are widely used in China and global 4G/5G base station, 5G network coverage, BeiDou navigation antenna, vehicle-mounted high-precision navigation (unmanned) antenna and other applications. The products have miniaturization, low-loss, wide-bandwidth, high power density, high reliability, high cost-effective and other competitive advantages.

### Features:

- 4400-6000 MHz
- 0.7mm Height Profile
- Surface Mountable
- Tape & Reel
- RoHS Compliant
- Halogen-Free
- LTCC process

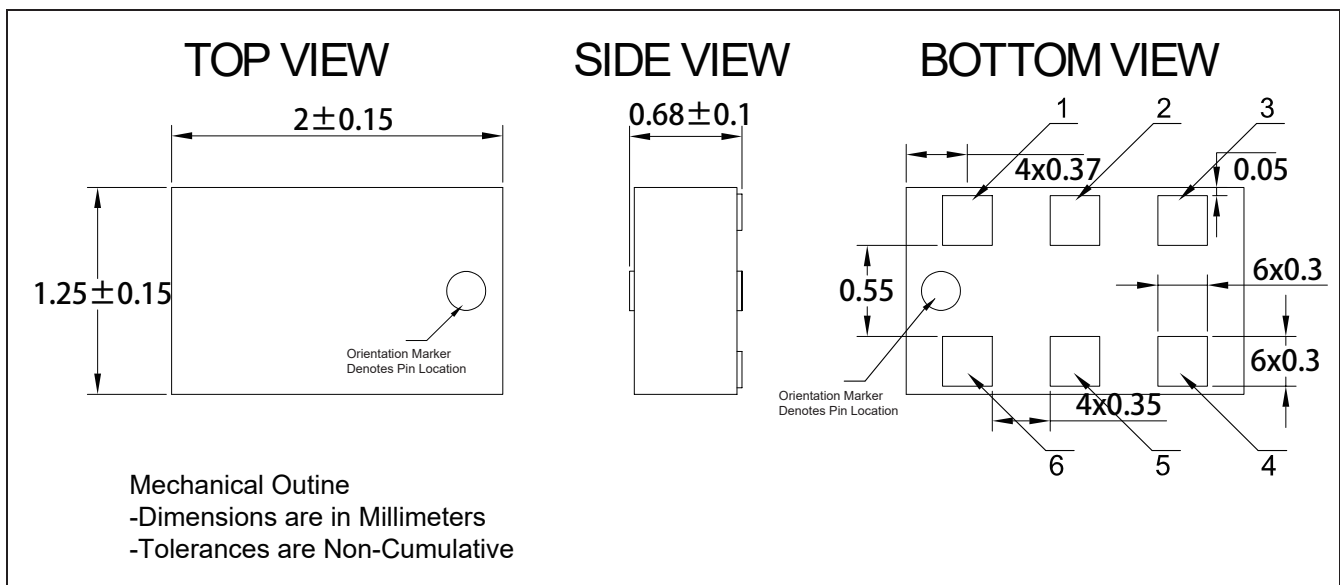
### Electrical Specifications

Frequency MHz	Isolation dB Min	Insertion Loss dB Max	VSWR Max : 1
4400-4800	18.0	0.35	1.40
4800-5000	18.0	0.30	1.24
5000-6000	18.0	0.35	1.40
4400-4800	16.2	0.38	1.50
4800-5000	16.2	0.33	1.36
5000-6000	16.2	0.38	1.50
Amplitude Balance dB Max	Phase Balance Degrees	Power Avg. CW Watts at 105°C	Operating Temp. °C
± 0.70	90 ± 7.0	4	-55 to +105
± 0.50	90 ± 7.0	4	-55 to +105
± 1.00	90 ± 7.0	4	-55 to +105
± 0.77	90 ± 7.7	4	105 to +125
± 0.55	90 ± 7.7	4	105 to +125
± 1.10	90 ± 7.7	4	105 to +125

### Notes:

1. All the above data are based on specified demo board.
2. Insertion loss: Thru board loss has been removed.

### Mechanical Outline



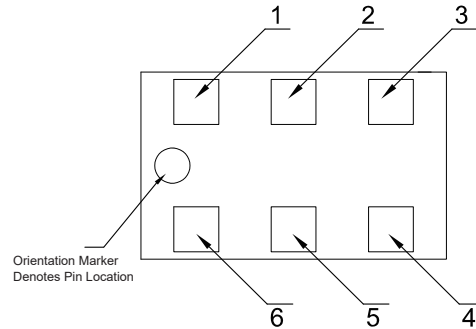
### Yantel Corporation

Add: No.308-322, 3F, Building 1, Juchuang Jingu Innovation Park, Wenyuan Road 35, Xili Street, Nanshan, Shenzhen, China  
 Tel: 86-755-8355-1886 Fax: 86-755-8355-2533

For detailed performance specs & shopping online see Yantel web site : [www.yantel-corp.com](http://www.yantel-corp.com)

### Hybrid Coupler Pin Configuration

The LHC55T03 has an orientation marker to denote Pin1. Once port one has been identified the other ports are known automatically. Please see the chart below for clarification:



Pin	Configuration-1	Configuration-2	Configuration-3	Configuration-4
1	Input	Isolated	Direct	Coupled
2	GND	GND	GND	GND
3	Isolated	Input	Coupled	Direct
4	Direct	Coupled	Input	Isolated
5	GND	GND	GND	GND
6	Coupled	Direct	Isolated	Input

### Typical Performance Data (@25°C)

Frequency (MHz)	Coupling (dB)	Transmission (dB)	Insertion Loss (dB)	Isolation (dB)	Amplitude Balance (dB)	Phase (degree)	Return Loss(dB)			
							S11	S22	S33	S44
4500	-3.08	-3.19	-0.13	-22.14	0.06	-90.54	-20.65	-28.06	-20.02	-26.85
4575	-3.06	-3.22	-0.13	-21.96	0.08	-90.53	-20.79	-27.89	-20.09	-27.19
4650	-3.04	-3.25	-0.13	-22.01	0.10	-90.68	-20.85	-27.18	-19.65	-26.49
4725	-3.02	-3.25	-0.12	-22.05	0.12	-90.72	-21.39	-27.01	-19.96	-25.93
4800	-3.01	-3.26	-0.12	-22.21	0.12	-90.72	-21.92	-26.90	-20.65	-26.32
4875	-3.00	-3.27	-0.12	-21.84	0.14	-90.75	-22.20	-26.46	-20.39	-26.09
4950	-2.98	-3.28	-0.12	-21.55	0.15	-90.86	-22.13	-26.02	-20.08	-25.50
5025	-2.97	-3.29	-0.11	-21.46	0.16	-90.94	-22.07	-25.79	-20.25	-25.39
5100	-2.97	-3.28	-0.11	-21.46	0.16	-90.94	-22.51	-25.92	-20.81	-25.78
5175	-2.97	-3.29	-0.12	-21.20	0.15	-90.95	-22.54	-25.05	-20.57	-25.45
5250	-2.97	-3.29	-0.12	-20.67	0.16	-91.06	-22.33	-24.33	-20.26	-25.36
5325	-2.97	-3.28	-0.11	-20.75	0.15	-91.12	-22.34	-24.51	-20.44	-25.03
5400	-2.99	-3.27	-0.11	-20.82	0.14	-91.15	-22.31	-24.45	-21.03	-24.97
5475	-3.01	-3.27	-0.13	-20.63	0.12	-91.06	-22.62	-23.84	-20.83	-24.58
5550	-3.02	-3.26	-0.13	-20.23	0.12	-91.17	-22.44	-23.36	-20.12	-24.42
5625	-3.04	-3.22	-0.12	-20.28	0.09	-91.21	-22.03	-23.59	-20.65	-25.10
5700	-3.07	-3.20	-0.12	-20.44	0.06	-91.28	-21.99	-23.52	-21.43	-25.21
5775	-3.11	-3.18	-0.13	-20.08	0.04	-91.22	-21.69	-22.40	-21.13	-24.53
5850	-3.14	-3.16	-0.14	-19.88	0.01	-91.26	-21.73	-21.94	-20.78	-25.05
5925	-3.17	-3.12	-0.13	-19.92	-0.03	-91.33	-21.87	-22.56	-21.21	-26.07
6000	-3.21	-3.08	-0.13	-20.09	-0.06	-91.50	-21.86	-22.84	-22.65	-26.34

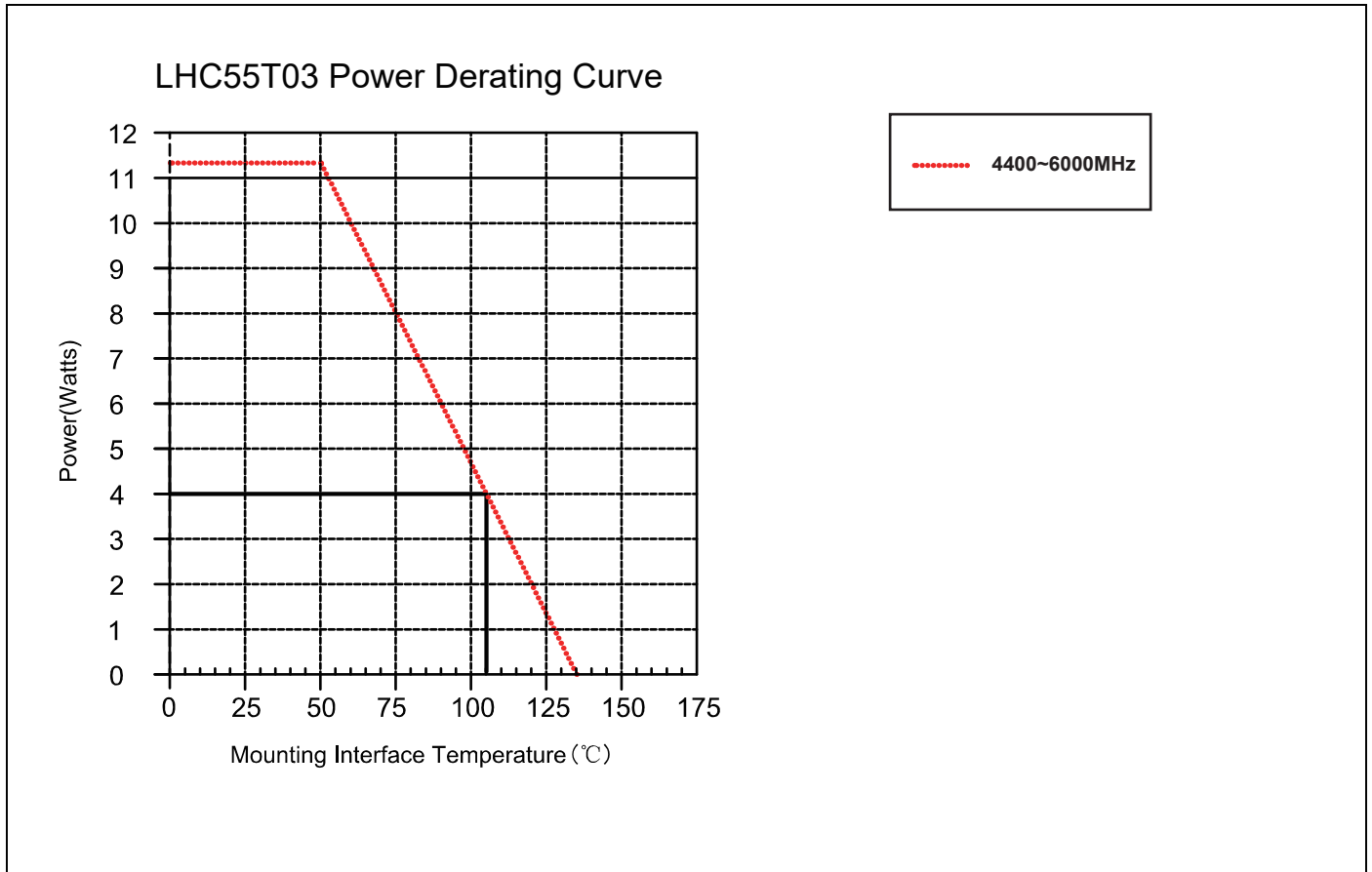
### Yantel Corporation

Add: No.308-322, 3F, Building 1, Juchuang Jingu Innovation Park, Wenyuan Road 35, Xili Street, Nanshan, Shenzhen, China

Tel: 86-755-8355-1886 Fax: 86-755-8355-2533

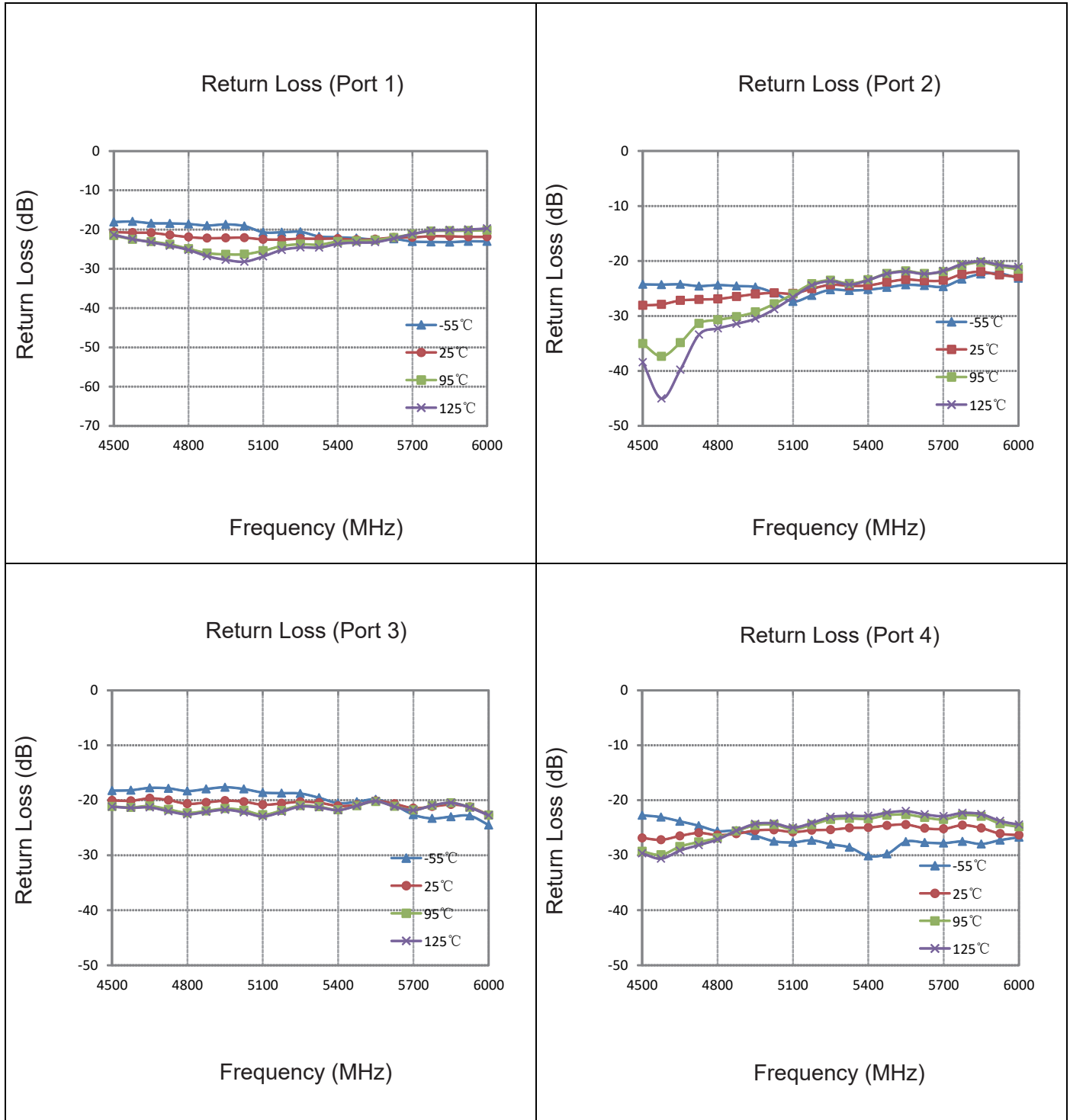
For detailed performance specs & shopping online see Yantel web site : [www.yantel-corp.com](http://www.yantel-corp.com)

### Power Derating Curves



### Power Derating:

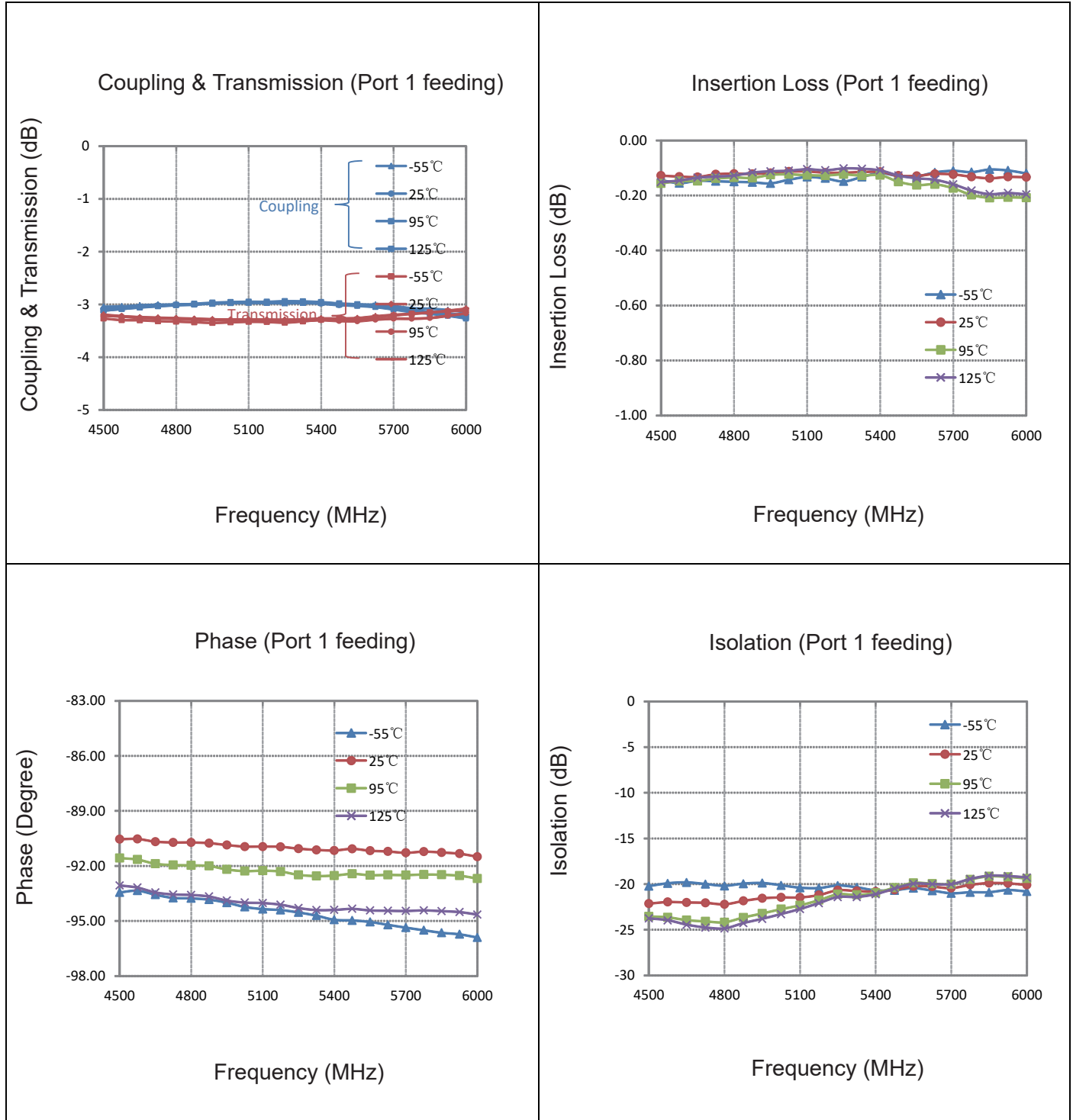
As the mounting interface temperature approaches the maximum continuous operating temperature, the power handling decreases to zero.

**Typical Performance (-55°C,25°C,105°C,125°C: 4500-6000 MHz)**

**Yantel Corporation**

Add: No.308-322, 3F, Building 1, Juchuang Jingu Innovation Park, Wenyuan Road 35, Xili Street, Nanshan, Shenzhen, China

Tel: 86-755-8355-1886 Fax: 86-755-8355-2533

 For detailed performance specs & shopping online see Yantel web site : [www.yantel-corp.com](http://www.yantel-corp.com)

**Typical Performance (-55°C,25°C,105°C,125°C: 4500-6000 MHz)**

**Yantel Corporation**

 Add: No.308-322, 3F, Building 1, Juchuang Jingu Innovation Park, Wenyuan Road 35, Xili Street, Nanshan, Shenzhen, China  
 Tel: 86-755-8355-1886 Fax: 86-755-8355-2533

 For detailed performance specs & shopping online see Yantel web site : [www.yantel-corp.com](http://www.yantel-corp.com)

### Definition of Measured Specifications

Parameter	Definition	Mathematical Representation
<b>VSWR</b> (Voltage Standing Wave Ratio)	The impedance match of the coupler to a 50Ω system. A VSWR of 1:1 is optimal.	$VSWR = \frac{V_{max}}{V_{min}}$ Vmax = voltage maxima of a standing wave Vmin = voltage minima of a standing wave
<b>Return Loss</b>	The impedance match of the coupler to a 50Ω system. Return Loss is an alternate means to express VSWR.	$\text{Return Loss (dB)} = 20 \log \frac{VSWR + 1}{VSWR - 1}$
<b>Insertion Loss</b>	The input power divided by the sum of the power at the two output ports.	$\text{Insertion Loss(dB)} = 10 \log \frac{P_{in}}{P_{cpl} + P_{transmission}}$
<b>Isolation</b>	The input power divided by the power at the isolated port.	$\text{Isolation(dB)} = 10 \log \frac{P_{in}}{P_{iso}}$
<b>Phase Balance</b>	The difference in phase angle between the two output ports.	Phase at coupled port – Phase at transmission port
<b>Amplitude Balance</b>	The power at each output divided by the average power of the two outputs.	$10 \log \frac{P_{cpl}}{\left(\frac{P_{cpl} + P_{transmission}}{2}\right)} \quad \text{or} \quad 10 \log \frac{P_{transmission}}{\left(\frac{P_{cpl} + P_{transmission}}{2}\right)}$

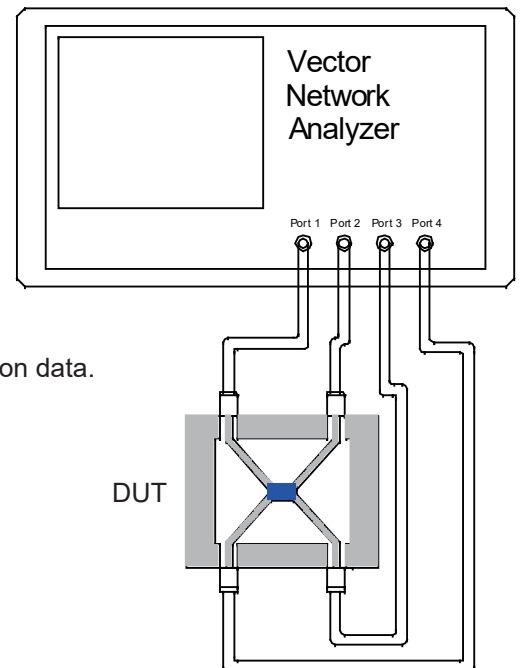
### Test Method

1. Calibrating your vector network analyzer.
2. Connect the VNA 4 Port to DUT respectively.
3. Measure the data of coupling through port 1 to port 4(S41).
4. Measure the data of transmission through port 1 to port 3(S31).
5. Measure the data of isolation through port 1 to port 2(S21).
6. Measure the data of phase port 4 & port 3(port 1 feeding).
7. Measure the data of return loss port 1, port 2, port 3 & port 4.
8. According to the above data to calculate insertion loss, amplitude balance & phase.

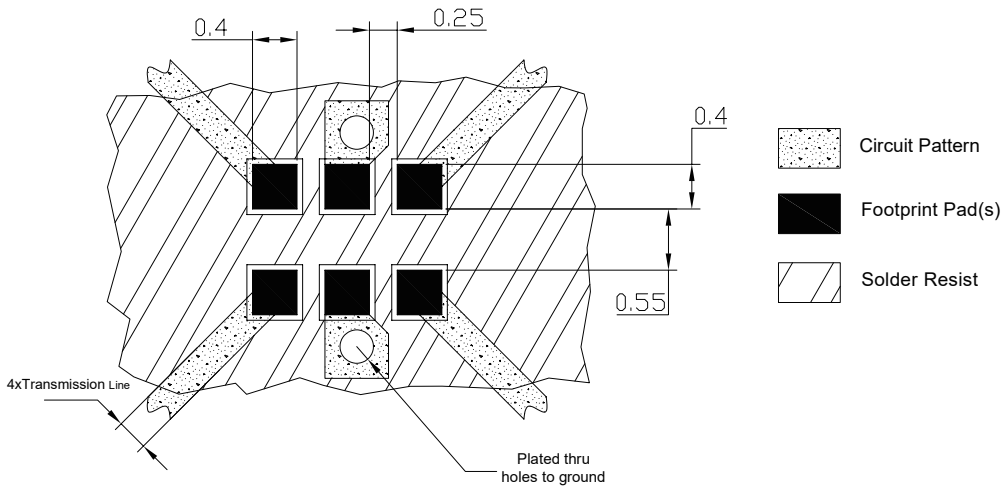
### Note:

1. When calculating insertion loss at room temperature, demo board loss should be removed from both coupling & transmission data. Please refer to the below table for demo board loss :

Frequency Range(MHz)	Demo Board Loss (dB) @25°C
<b>470-860</b>	0.07
<b>800-1000</b>	0.10
<b>1200-1700</b>	0.15
<b>1700-2000</b>	0.15
<b>2000-2300</b>	0.20
<b>2300-2700</b>	0.25



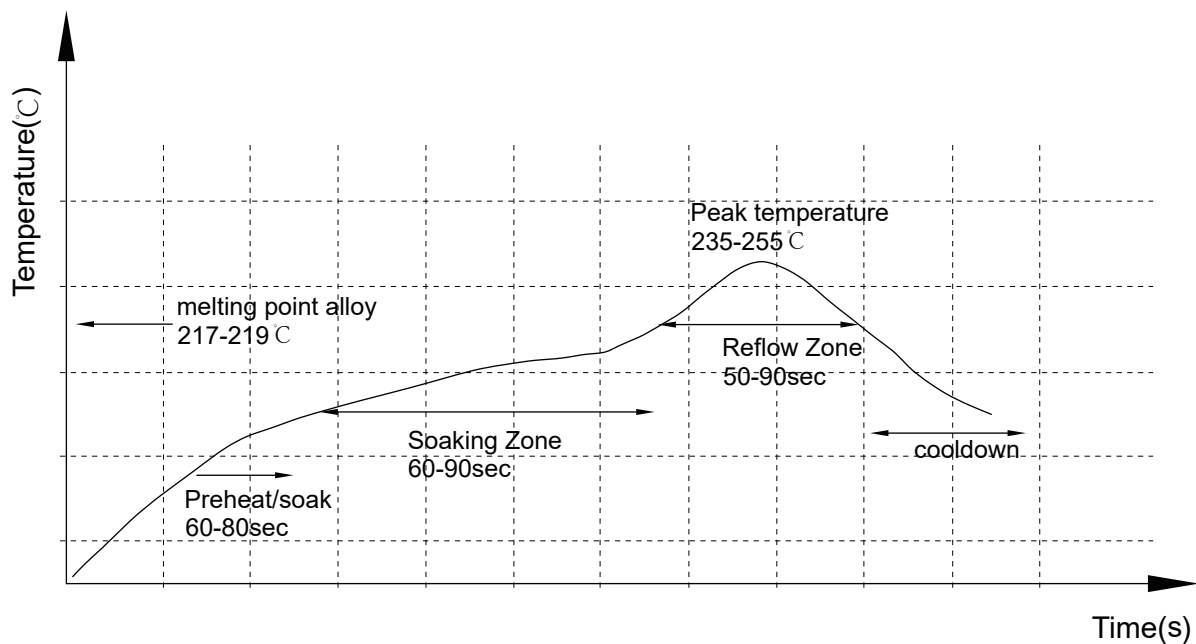
### Recommended PCB Layout



### NOTE:

1. 50Ω line width is shown above designing.
2. Bottom side of the PCB is continuous ground plane.
3. All dimensions shown in mm [inch].

### Reflow Profile

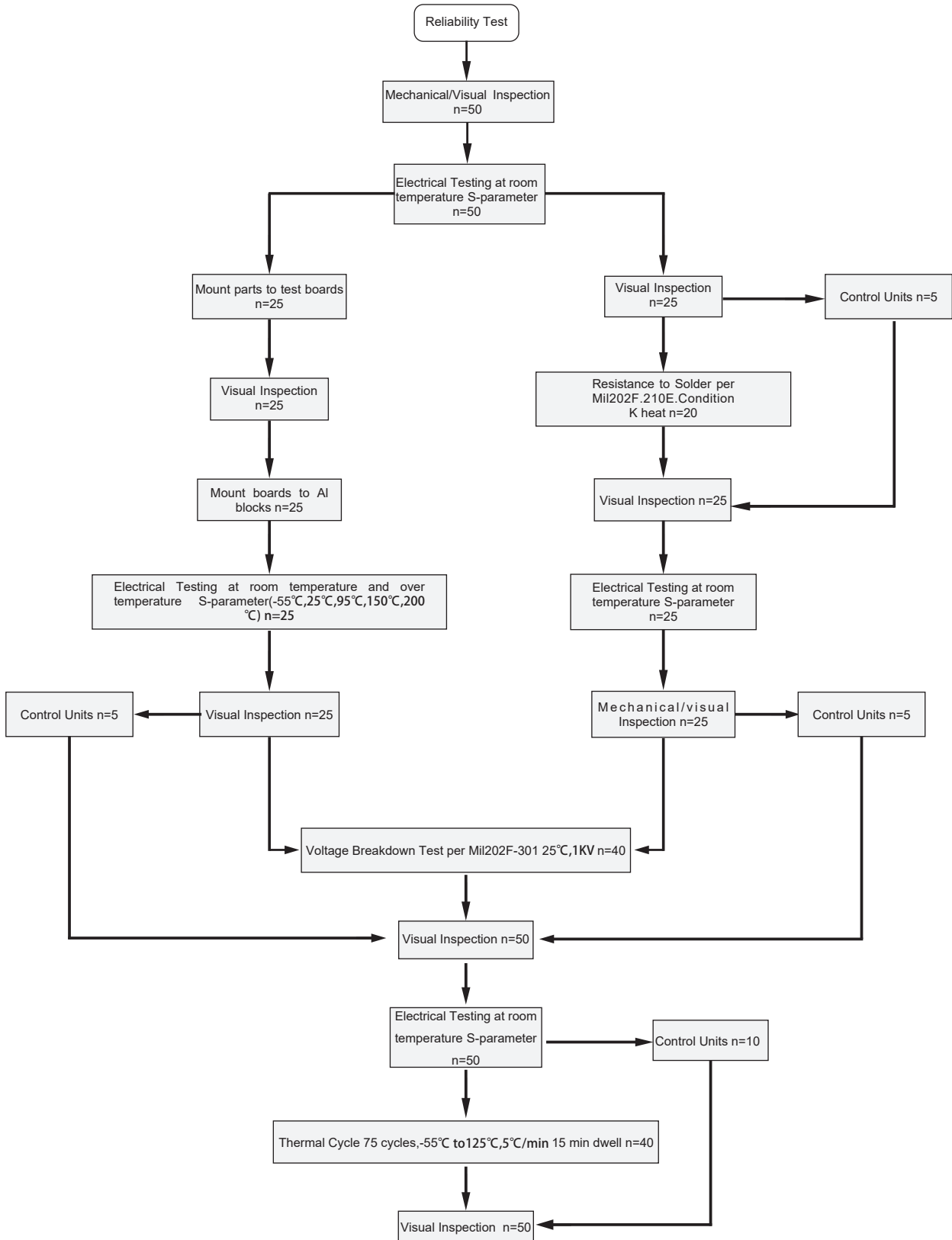


### Yantel Corporation

Add: No.308-322, 3F, Building 1, Juchuang Jingu Innovation Park, Wenyuan Road 35, Xili Street, Nanshan, Shenzhen, China  
 Tel: 86-755-8355-1886 Fax: 86-755-8355-2533

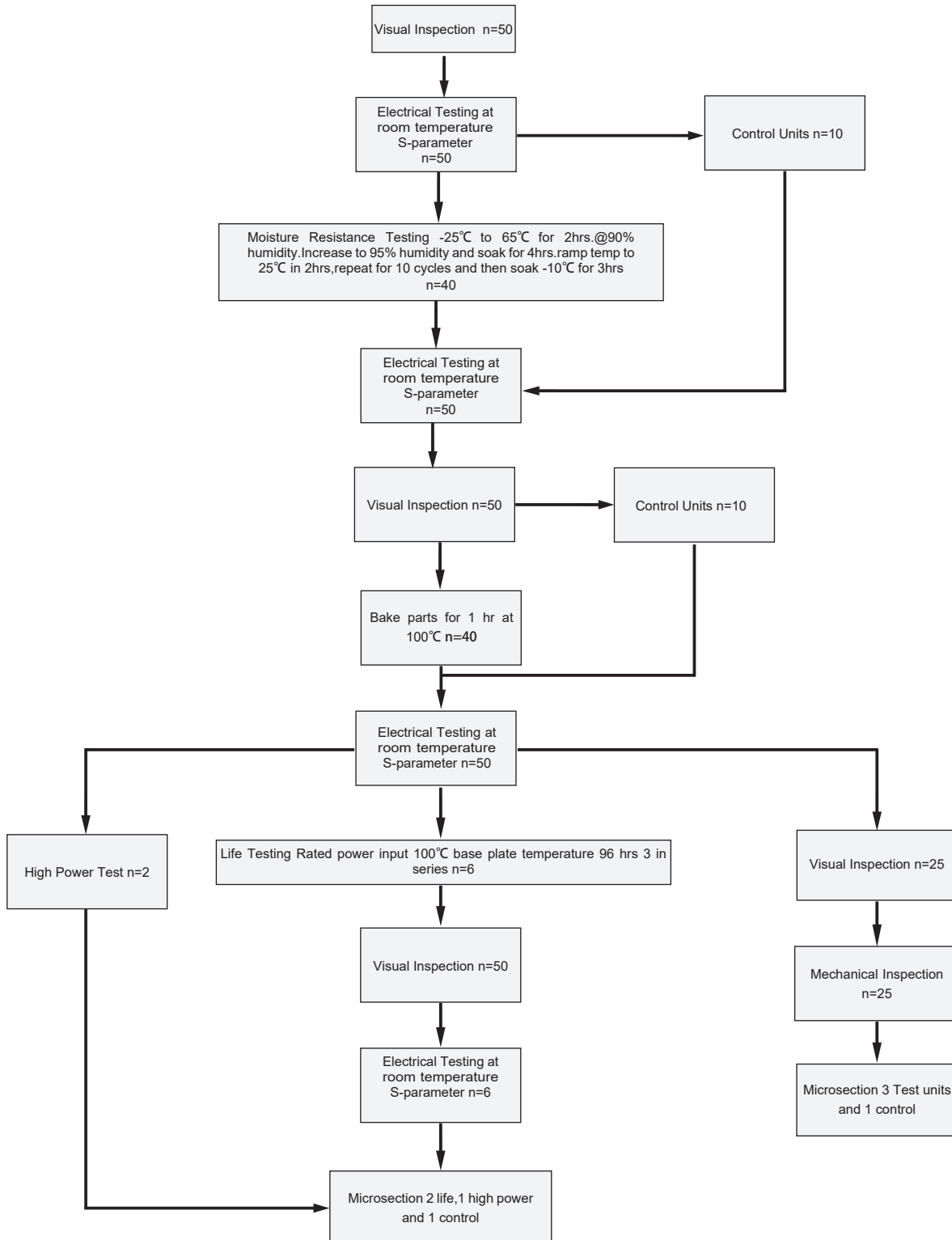
For detailed performance specs & shopping online see Yantel web site : [www.yantel-corp.com](http://www.yantel-corp.com)

### Reliability Test Flow



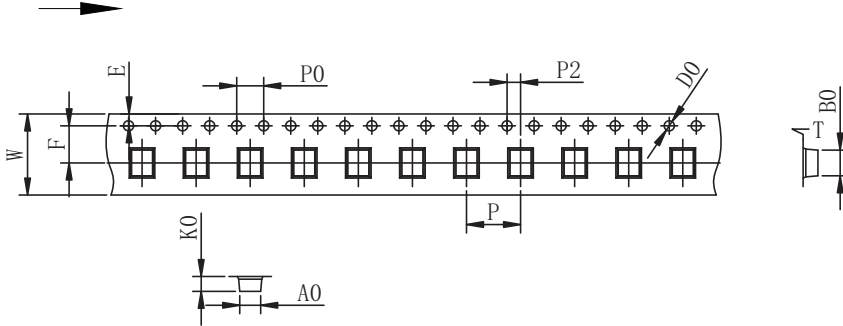


### Reliability Test Flow



### Tape and Reel Drawing

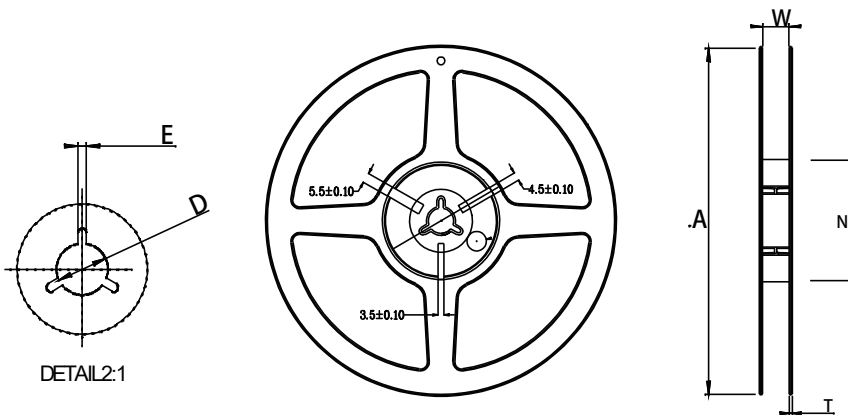
Feeding Direction



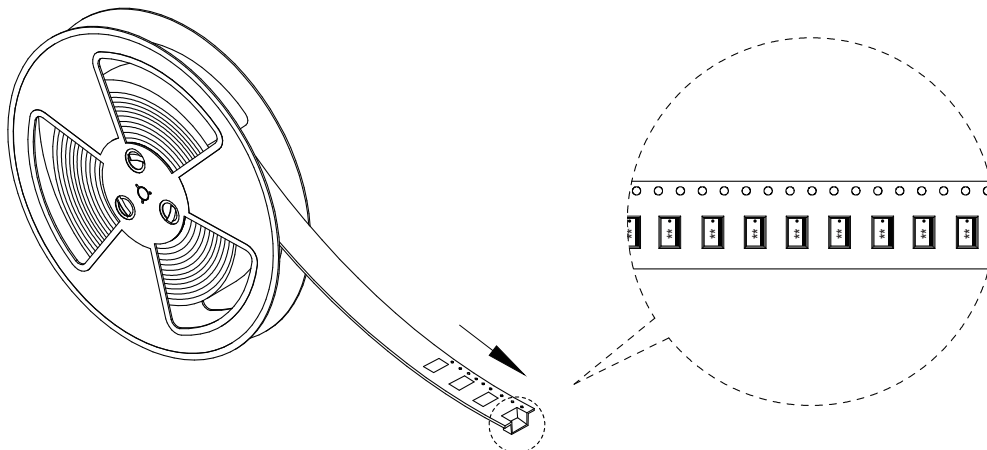
ITEM	W	A0	B0	K0	K1	P	F	E	D0	P0	P2	t	7"
DIM(mm)	8.0	1.45	2.30	2.30		4.0	3.5	1.75	1.5	4.0	2.0	0.2	P/R
TOLE	+0.10 -0.10	+0.10 -0.10	+0.10 -0.10	+0.10 -0.10	+0.10 -0.10	+0.10 -0.10	+0.10 -0.10	+0.10 -0.10	+0.10 -0.00	+0.10 -0.10	+0.10 -0.10	+0.05 -0.05	4000pcs

Notice:

- A. 10 Sprocket hole pitch cumulative tolerance is 0.2mm.
- B. Carrier camber shall be not more than 1mm per 100mm through a length of 250mm.
- C. All dimensions meet EIA-418-B requirements.
- D. A0 & B0 measured as indicated.
- E. K0 measured from a place on the inside bottom of the pocket to top surface of carrier.
- F. Material: PE 100
- G. Thickness: 0.20±0.05mm
- H. 4000 units (maximum) / T&R



Symbol	Dimensions(mm)
W	9.0±0.4
A	180±0.3
N	60±0.3
T	1.4±0.2
E	3±0.5
D	25±0.8



### Yantel Corporation

Add: No.308-322, 3F, Building 1, Juchuang Jingu Innovation Park, Wenyuan Road 35, Xili Street, Nanshan, Shenzhen, China

Tel: 86-755-8355-1886 Fax: 86-755-8355-2533

 For detailed performance specs & shopping online see Yantel web site : [www.yantel-corp.com](http://www.yantel-corp.com)