

Microwave Temperature Compensation Attenuator DC~18GHz 50Ω 200mW
Part No. Descriptions

****	**	**	**	**	*
Series	Frequency	Attenuation	Temperature Coefficient Code	Metallization Options	Termination Plating Options
MTCA	18	(01 to10) 1dB to 10dB	(N3 to N9)	Planar(no code), W1, W3, WB1 or G	(no code)=lead free or (S)=Lead(Pb)

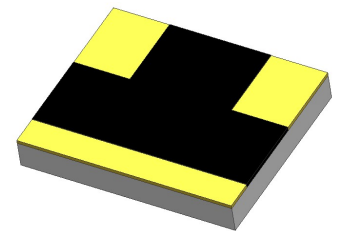
Metallization Options

- Planar(no code): planar terminal.
- Single wrap(W1): metallization wrap ground terminal.
- Triple wrap(W3): metallization wrap input, output and ground terminal.
- Wire bond(WB1): metallization wrap ground terminal, input and output terminal have gold metallization for wire bonding.
- Planar gold(G): planar terminal with gold metallization for wire bonding.

Part No.	Frequency Range (GHz)	Attenuation (dB)	Temperature Coefficient Code	Temperature Coefficient of Attenuation (dB/dB/°C)	Max. VSWR (:1) @1GHz@25°C	Max. Input Power (mW)	Attenuation Accuracy (dB)
MTCA1801N*G	DC-18	1	N3~N7	-0.003~-0.007	1.20	200	±0.5
MTCA1802N*G	DC-18	2	N3~N9	-0.003~-0.009	1.20	200	±0.5
MTCA1803N*G	DC-18	3	N3~N9	-0.003~-0.009	1.20	200	±0.5
MTCA1804N*G	DC-18	4	N3~N9	-0.003~-0.009	1.20	200	±0.5
MTCA1805N*G	DC-18	5	N3~N9	-0.003~-0.009	1.20	200	±0.5
MTCA1806N*G	DC-18	6	N3~N9	-0.003~-0.009	1.20	200	±0.5
MTCA1807N*G	DC-18	7	N3~N9	-0.003~-0.009	1.20	200	±0.5
MTCA1808N*G	DC-18	8	N3~N9	-0.003~-0.009	1.20	200	±0.5
MTCA1809N*G	DC-18	9	N3~N9	-0.003~-0.009	1.20	200	±0.5
MTCA1810N*G	DC-18	10	N3~N9	-0.003~-0.009	1.20	200	±0.5

General Specifications

- | | |
|---|--|
| <ol style="list-style-type: none"> Frequency Range Attenuation Attenuation Accuracy VSWR Nominal Impedance Power Rating Power Derating Operating Temperature Temperature Coefficient over Operating Temperature Range: See Table Above.
Temperature Coefficient Tolerance: ±0.001dB/dB/°C. Substrate: Alumina (Al₂O₃) Resistive material: Thick film Terminal material: Thick film, Input, Output and front Ground all made by gold. Protective Coating: Thick film (ethyl acetate) Package Outline: See Sheet 3. Workmanship: per MIL-PRF-55342. RoHS Compliant. Electrostatic Discharge Control: per MIL-STD-1686. | Planar gold series DC-18GHz (N3~N5); DC-12.4GHz (N6~N9)
4dB
at 25°C ±0.5dB @1GHz
at 25°C 1.20:1 @1GHz
50 Ohms
200 mW CW
100% @ 125°C
Derates to 0% @ 150°C
-55°C to +150°C |
|---|--|



Unit Marking dB Value (XX), Direction of Shift (N) and TCA Shift (X).
Legibility and Permanency: per MIL-STD-130.

Quality Assurance

- Sample inspect per ANSI/ASQC Z1.4 general inspection, LEVEL II, AQL = 1.0.
 - 1.1 Visual and mechanical examination for conformance to outline package requirements.
- Select five (5) Units from lot measure attenuation from DC to 18GHz every 20°C over the temperature range -55°C to +125°C.
 - 2.1 Calculate, using linear regression, the slope of the curve.
 - 2.2 Calculate TCA using the following formula: TCA = Slope / Attenuation @ 25°C.
- Test data required for customer.

Yantel Corporation

Add: 3F, Building 3, Southern District 2 of Zhongguan Honghualing Industrial Park, Xili, Nanshan, Shenzhen, China
Tel: 86-755-8355-1886 Fax: 86-755-8355-2533

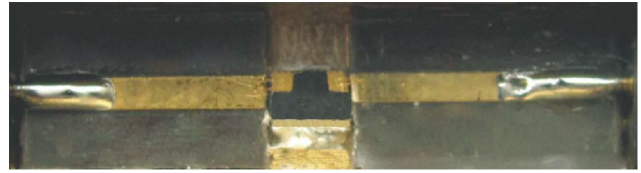
For detailed performance specs & shopping online see Yantel web site : www.yantel-corp.com

Notes on RF Testing and Circuit Layout

DC-18GHz Planar gold series Test Fixture



Planar gold Test Board



Connect test part to Test Fixture



Equipment Calibration



**Room
Temperature
Test**



**High-Low
Temperature
Test**



- 1、 Download S2P documents in http://www.yantel-corp.com/en/products/products1_200.html
- 2、 DC-18GHz or 16-36GHz test fixture is rentable (only for Chinese customers) , otherwise please purchase them.

For any questions or needs, please feel free to contact inform@yantel-corp.com.

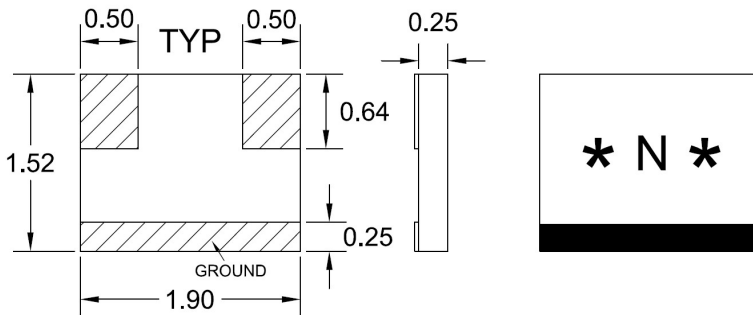
Yantel Corporation

Add: 3F, Building 3, Southern District 2 of Zhongguan Honghualing Industrial Park, Xili, Nanshan, Shenzhen, China
Tel: 86-755-8355-1886 Fax: 86-755-8355-2533

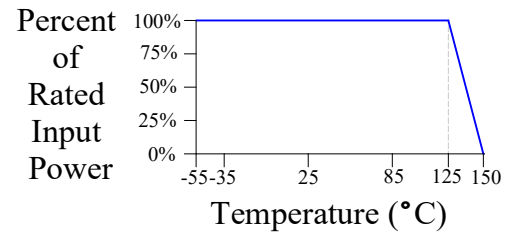
For detailed performance specs & shopping online see Yantel web site : www.yantel-corp.com

Package Outlines

All dimensions shown in mm unless stated otherwise
Dimension tolerance: ± 0.1 mm

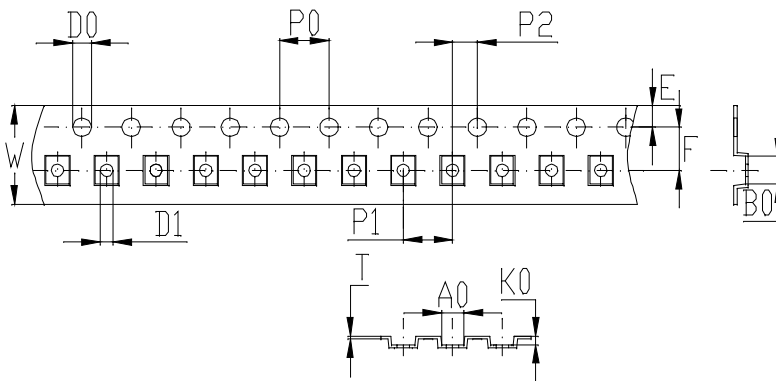


Power Rating & Derating Curve



Tape & Reel Drawing

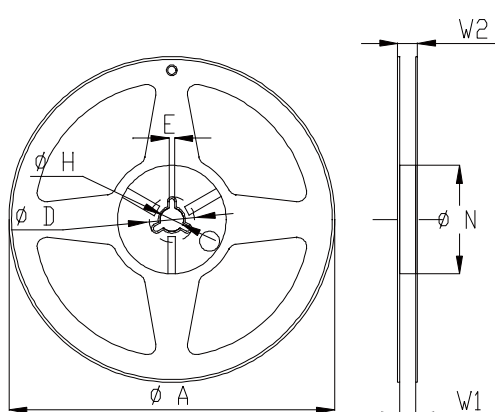
All dimensions shown in mm unless stated otherwise



Notice:

- A. 10 Sprocket hole pitch cumulative tolerance is 0.2mm.
- B. Carrier camber shall be not more than 1mm per 100mm through a length of 250mm.
- C. All dimensions meet EIA-418-B requirements.
- D. A0 & B0 measured as indicated.
- E. K0 measured from a place on the inside bottom of the pocket to top surface of carrier.
- F. Material: PS
- G. Thickness: 0.25 ± 0.05 mm
- H. 5000 units (maximum) / T&R

symbol	A0	B0	K0	P0	P1	P2
spec	1.85 ± 0.1	2.25 ± 0.1	0.7 ± 0.1	4.0 ± 0.1	4.0 ± 0.1	2.0 ± 0.1
symbol	W	T	E	F	D0	D1
spec	8.0 ± 0.3	0.25 ± 0.05	1.75 ± 0.1	3.5 ± 0.1	$\Phi 1.5^{+0.1}_{-0.0}$	$\Phi 1.0^{+0.1}_{-0.0}$



Symbol	Dimensions(mm)
A	$180^{+0/-3}$
N	$60^{+1/-0}$
W1	9.0 ± 0.3
W2	11 ± 1.0
D	25 ± 0.8
H	13 ± 0.2
E	3 ± 0.5

