

Temperature Compensation Attenuator DC~3GHz 75Ω 2W 1~6dB P3~P9
Part No. Descriptions

***	**	**	**	**	**	*
Series	Frequency	Attenuation	Temperature Coefficient Code	Metallization Options	Termination Plating Options	
PTCA,	03	(01 to 6) 1dB to 6dB	P3 to P9	Planar(no code), W1, W3	(no code)=lead free or (S)=Lead(Pb)	

Part No.	Frequency Range (GHz)	Attenuation (dB)	Temperature Coefficient Code	Temperature Coefficient of Attenuation (dB/dB/°C)	Max. VSWR (:1) @1GHz@25°C	Max. Input Power (W)	Attenuation Accuracy (dB)
PTCA0301P*	DC-3	1	P3~P9	+0.003~ +0.009	1.25	2	±0.5
PTCA0302P*	DC-3	2	P3~P9	+0.003~ +0.009	1.25	2	±0.5
PTCA0303P*	DC-3	3	P3~P9	+0.003~ +0.009	1.25	2	±0.5
PTCA0304P*	DC-3	4	P3~P9	+0.003~ +0.009	1.25	2	±0.5
PTCA0305P*	DC-3	5	P3~P9	+0.003~ +0.009	1.25	2	±0.5
PTCA0306P*	DC-3	6	P3~P9	+0.003~ +0.009	1.25	2	±0.5

General Specifications

1. Frequency Range DC to 3GHz
2. Attenuation 2dB
3. Attenuation Accuracy at 25°C ±0.5dB@1GHz
4. VSWR 1.25:1 Max. @1GHz
5. Nominal Impedance 75 Ohms
6. Power Rating 2 Watts CW
7. Power Derating 100% @ 125°C
Derates to 0% @ 150°C
8. Operating Temperature -55°C to +150°C
9. Temperature Coefficient over Operating Temperature Range: See Table Above.
Temperature Coefficient Tolerance: ±0.001dB/dB/°C.
10. Substrate: Alumina (Al₂O₃)
11. Resistive material: Thick film
12. Terminal material: Thick film, Nickel barrier with pure tin plate (lead free) or with tin (Sn90) plate (10% lead contained)
13. Protective Coating: Thick film (ethyl acetate)
14. Package Outline: See Sheet 3.
15. Workmanship: per MIL-PRF-55342.
16. RoHS Compliant.
17. Electrostatic Discharge Control: per MIL-STD-1686.

Unit Marking dB Value (XX), Direction of Shift (P) and TCA Shift (X).
Legibility and Permanency: per MIL-STD-130.

Quality Assurance

1. Sample inspect per ANSI/ASQC Z1.4 general inspection, LEVEL II, AQL = 1.0.
 - 1.1 Visual and mechanical examination for conformance to outline package requirements.
2. Select five (5) Units from lot measure attenuation from DC to 3GHz every 20°C over the temperature range -35°C to +105°C.
 - 2.1 Calculate, using linear regression, the slope of the curve.
 - 2.2 Calculate TCA using the following formula: TCA = Slope / Attenuation @ 25°C.
3. Test data required for customer.

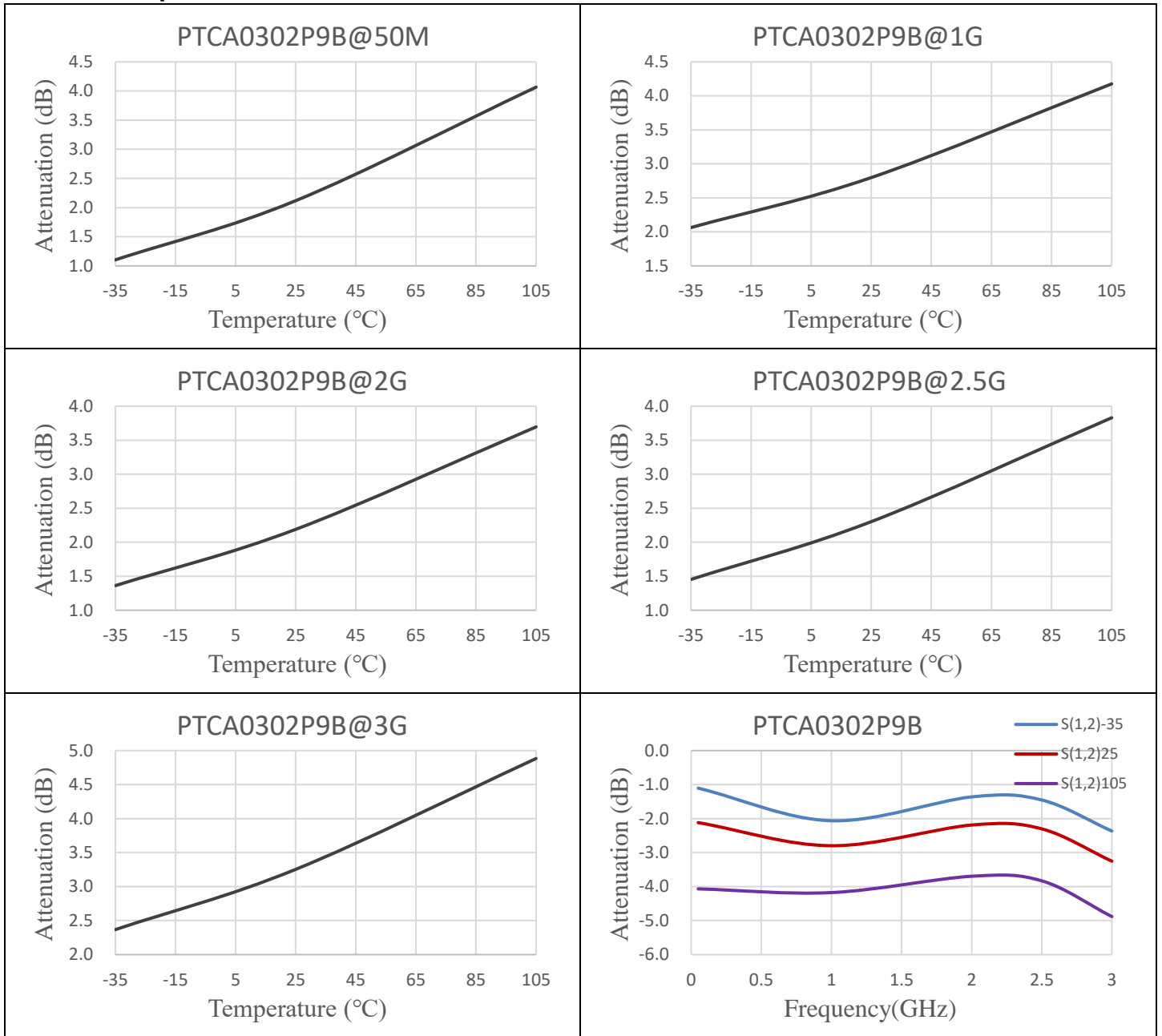
Yantel Corporation

Add: No.308-322,3F,Building 1,Juchuang Jingu Innovation Park,Wenyuan Road 35,Xili Street,Nanshan,Shenzhen,China

Tel: 86-755-8355-1886 Fax: 86-755-8355-2533

 For detailed performance specs & shopping online see Yantel web site : www.yantel-corp.com

PTCA Response



Part No.	F (Hz) T (°C)	Attenuation					Return Loss				
		50M	1G	2G	2.5G	3G	50M	1G	2G	2.5G	3G
PTCA0302P9B	25	2.12	2.80	2.19	2.30	3.25	21.57	9.11	21.52	17.45	10.65
	-35	1.10	2.06	1.36	1.45	2.37	28.09	8.36	22.48	15.67	10.41
	105	4.07	4.18	3.70	3.83	4.88	13.76	10.28	21.23	24.42	10.22
	P Value:	9.99	5.39	7.62	7.37	5.52					

Yantel Corporation

Add: No.308-322,3F,Building 1,Juchuang Jingu Innovation Park,Wenyuan Road 35,Xili Street,Nanshan,Shenzhen,China

Tel: 86-755-8355-1886 Fax: 86-755-8355-2533

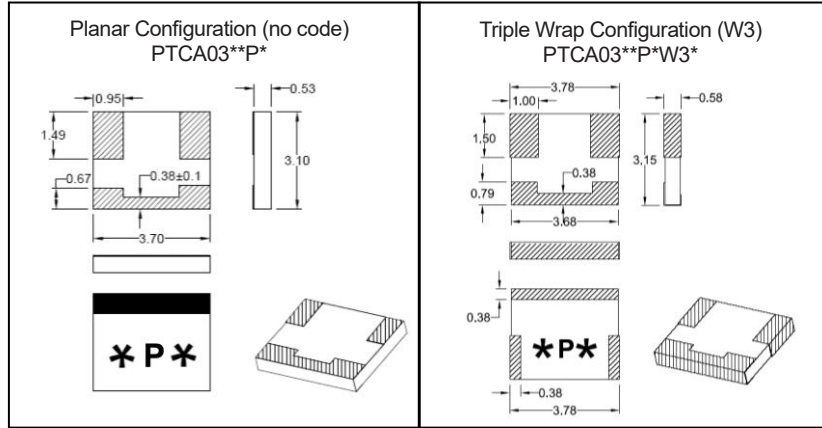
For detailed performance specs & shopping online see Yantel web site : www.yantel-corp.com

Package Outlines

All dimensions shown in mm unless stated otherwise

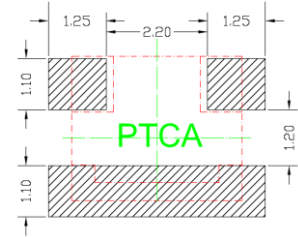
Note: Dimension tolerance in ± 0.10 otherwise mention.

* represents number

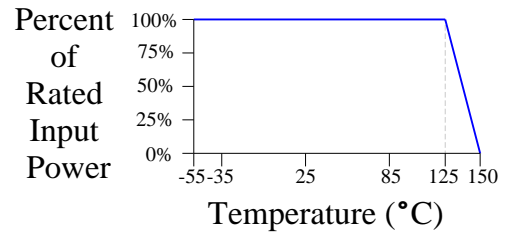


Recommended Layout

All dimensions shown in mm unless stated otherwise

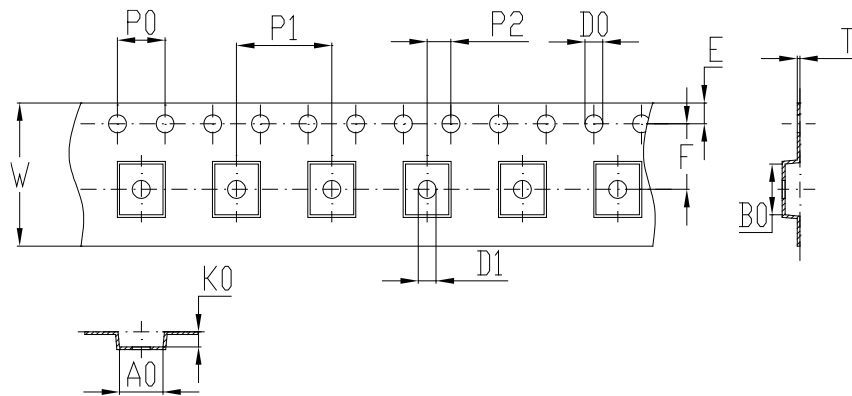


Power Rating & Derating Curve



Tape & Reel Drawing

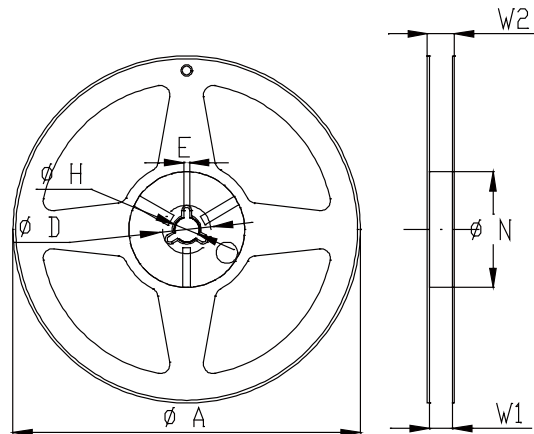
All dimensions shown in mm unless stated otherwise



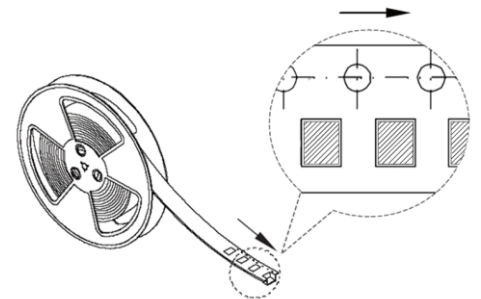
Notice:

- A.10 Sprocket hole pitch cumulative tolerance is 0.2mm.
- B. Carrier camber shall be not more than 1mm per 100mm through a length of 250mm.
- C. All dimensions meet EIA-418-B requirements.
- D. A0 & B0 measured as indicated.
- E. K0 measured from a place on the inside bottom of the pocket to top surface of carrier.
- F. Material: PE 100
- G. Thickness: 0.23 ± 0.05 mm
- H. 1500 units (maximum) / T&R

symbol	A0	B0	K0	P0	P1	P2
spec	3.65 ± 0.1	4.25 ± 0.1	1.25 ± 0.1	4.0 ± 0.1	8.0 ± 0.1	2.0 ± 0.1
symbol	W	T	E	F	D0	D1
spec	12.0 ± 0.3	0.23 ± 0.05	1.75 ± 0.1	5.5 ± 0.1	$\Phi 1.5^{+0.1}_{-0.0}$	$\Phi 1.5$ min



Symbol	Dimensions(mm)
A	$180^{+0/-3}$
N	$60^{+1/-0}$
W1	12.0 ± 0.3
W2	14 ± 1.0
D	25 ± 0.8
H	13 ± 0.2
E	3 ± 0.5



Yantel Corporation

Add: No.308-322,3F,Building 1,Juchuang Jingu Innovation Park,Wenyuan Road 35,Xili Street,Nanshan,Shenzhen,China

Tel: 86-755-8355-1886 Fax: 86-755-8355-2533

For detailed performance specs & shopping online see Yantel web site : www.yantel-corp.com