

### Miniature Variable Attenuator VAC Series

- ◆ DC to 2GHz
- ◆ 1 W
- ◆ Resin DIP package
- ◆ Thick Film Chip

### Specifications

Frequency Range	DC to 2GHz
Attenuation	0 to 15dB
Insertion loss at 0dB	DC to 1GHz 0.6dB (Typical)
	1GHz to 2GHz 2.0dB (Typical)
Average Power	1 W
Impedance	50 Ohm
Operating Temperature	-40°C to +105°C

### Features

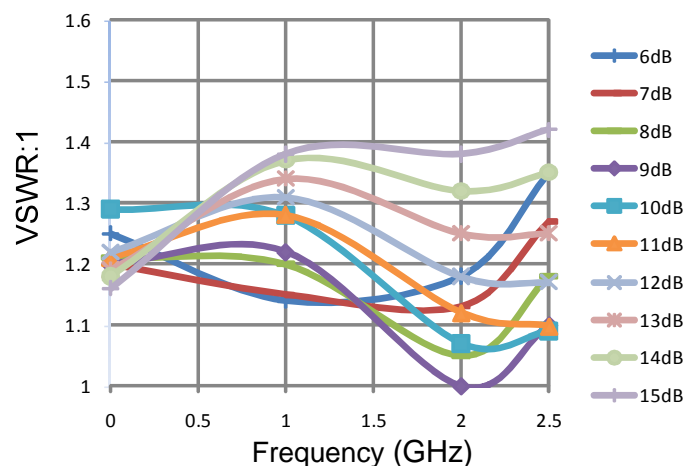
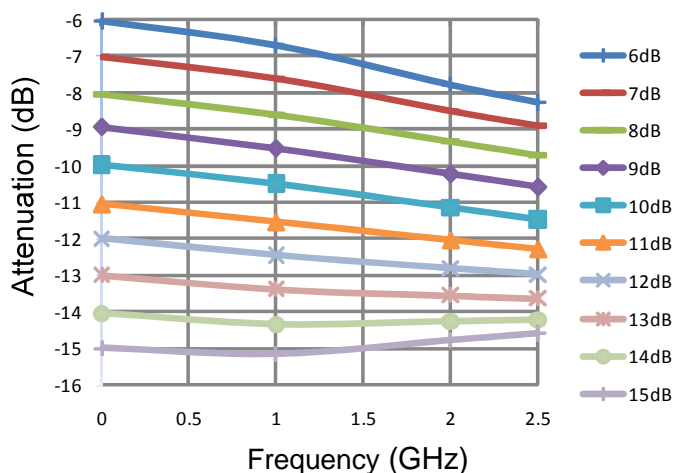
- Continuous variable : 0~15dB
- Power rating : 1W
- Able to be mounted soldered on the PCB
- Wide frequency range: DC ~ 2GHz available
- Low VSWR
- Low insertion loss
- High performance, competitive price
- Wide attenuation range
- Impedance: 50Ω or 75Ω
- Operating temperature:-40°C ~ +105°C
- Compared with digital attenuators, zero distortion, no extra IP3, lower noise, higher reliability.
- At least 500 circles operation.
- Customized attenuation values available

Attenuation (dB)	FREQ.RANGE (GHz)	Attenuation Accuracy(dB)
0 to 7	DC to 1	1
	1 to 2	2.5
7 to 15	DC to 1	0.6
	1 to 2	1.5

Attenuation (dB)	FREQ.RANGE (GHz)	Typical VSWR:1
0 to 3	DC to 1	1.6
	-	-
3 to 6	DC to 1	1.6
	1 to 2	1.7
6 to 15	DC to 2	1.45

### Characteristic

The testing curves of VAC18C(6 to 15 dB)



Note: This product cannot withstand high temperature over 200°C, therefore lead free or lead reflow soldering is not suitable.

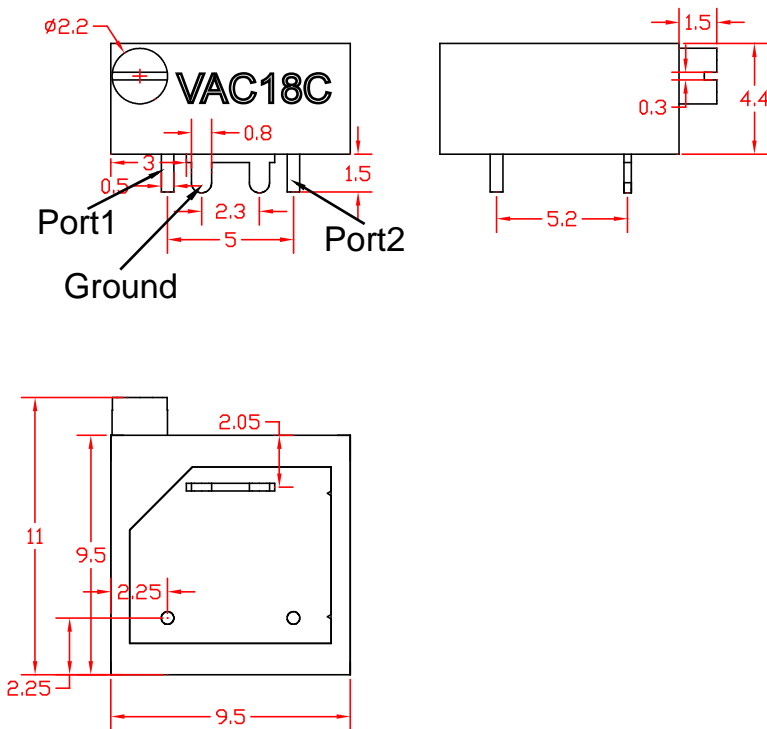
Otherwise, its performance and reliability would be greatly damaged.

Wave soldering should be adopted for this product.

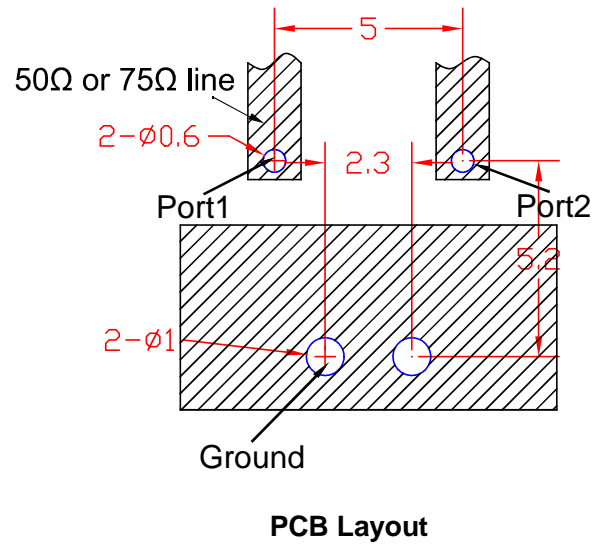
Please click the link below to obtain the wave soldering profile for reference:

[http://www.yantel-corp.com/asp\\_bin/download/201511/Wave%20Soldering%20Profile.pdf](http://www.yantel-corp.com/asp_bin/download/201511/Wave%20Soldering%20Profile.pdf)

### Package Outlines(mm)



### Recommended PCB Layout



### PCB Layout