
Yantel Corporation

VAS Step Variable attenuator

Operation Manual & Notice

1. Attention : In order to achieve the indicated attenuation accuracy, please push the switch to the end, instead of staying in the process.

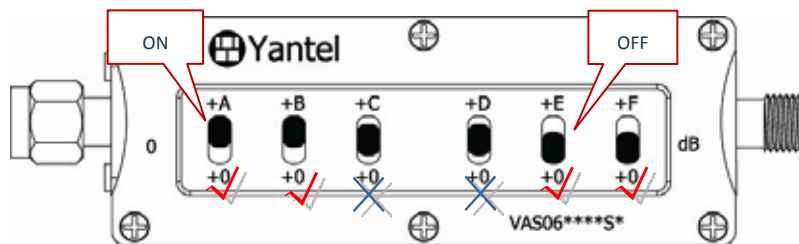


Fig1

Notes: the above figure is SMA connector products. For the F type & N type product, the operation method is the same as above.

2. Attenuation values :

A dB, B dB, C dB, D dB, E dB, F dB. (capital letter is the symbol of attenuation, it will be replaced with Arabic numeral on product.) Put the required switches on “ON” position and the rest on “OFF” position, your desired attenuation will come out. Required attenuation range equals to the sum of numerals in “ON” position.

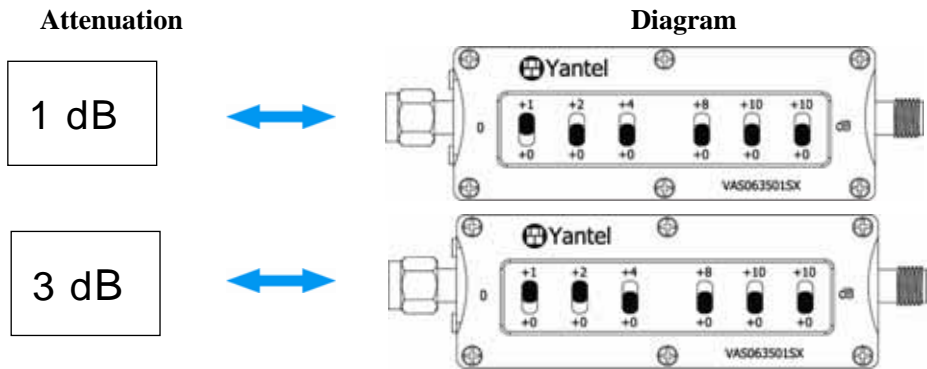
Attention : attempt to disassemble the product may damage it and void your warranty. In case of malfunction, please contact your local representative, distributor or the factory immediately.

VAS063501SX Switch combination chart

↓ down to the end ↑ to the end

VAS063501XX						
switch Atten	1dB	2dB	4dB	8dB	10dB	10dB
0dB	↓	↓	↓	↓	↓	↓
1dB	↑	↓	↓	↓	↓	↓
2dB	↓	↑	↓	↓	↓	↓
3dB	↑	↑	↓	↓	↓	↓
4dB	↓	↓	↑	↓	↓	↓
5dB	↑	↓	↑	↓	↓	↓
6dB	↓	↑	↑	↓	↓	↓
7dB	↑	↑	↑	↓	↓	↓
8dB	↓	↓	↓	↑	↓	↓
9dB	↑	↓	↓	↑	↓	↓
10dB	↓	↑	↓	↑	↓	↓
11dB	↑	↑	↓	↑	↓	↓
12dB	↓	↓	↑	↑	↓	↓
13dB	↑	↓	↑	↑	↓	↓
14dB	↓	↑	↑	↑	↓	↓
15dB	↑	↑	↑	↑	↓	↓
16dB	↓	↑	↑	↓	↑	↓
17dB	↑	↑	↑	↓	↑	↓
18dB	↓	↓	↓	↑	↑	↓
19dB	↑	↓	↓	↑	↑	↓
20dB	↓	↑	↓	↑	↑	↓
21dB	↑	↑	↓	↑	↑	↓
22dB	↓	↓	↑	↑	↑	↓
23dB	↑	↓	↑	↑	↑	↓
24dB	↓	↑	↑	↑	↑	↓
25dB	↑	↑	↑	↑	↑	↓
26dB	↓	↑	↑	↓	↑	↑
27dB	↑	↑	↑	↓	↑	↑
28dB	↓	↓	↓	↑	↑	↑
29dB	↑	↓	↓	↑	↑	↑
30dB	↓	↑	↓	↑	↑	↑
31dB	↑	↑	↓	↑	↑	↑
32dB	↓	↓	↑	↑	↑	↑
33dB	↑	↓	↑	↑	↑	↑
34dB	↓	↑	↑	↑	↑	↑
35dB	↑	↑	↑	↑	↑	↑

VAS063501SX Adjustment Diagram:



By hand



By tools like the plastic screw driver