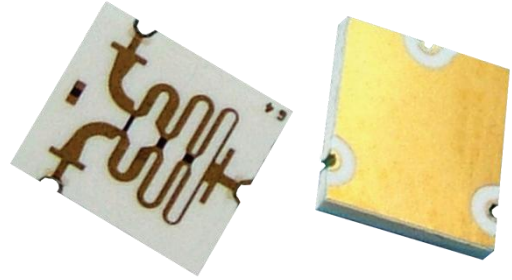


DESCRIPTION

Yantel's 28GHz 2-way power divider / combiner offers unmatched size and performance in a surface mount configuration. This power divider utilizes Yantel's low loss temperature stable materials which offer small size and minimal performance variation over temperature.

FEATURES

- Small Size
- Frequency Stable over Temperature
- Solder Surface Mount Package
- Excellent Repeatability
- Moisture Sensitivity Level: MSL1
- Operating & Storage Temp: -55°C to +125°C
- Characteristic Impedance: 50Ω



Electrical Specifications at 25°C

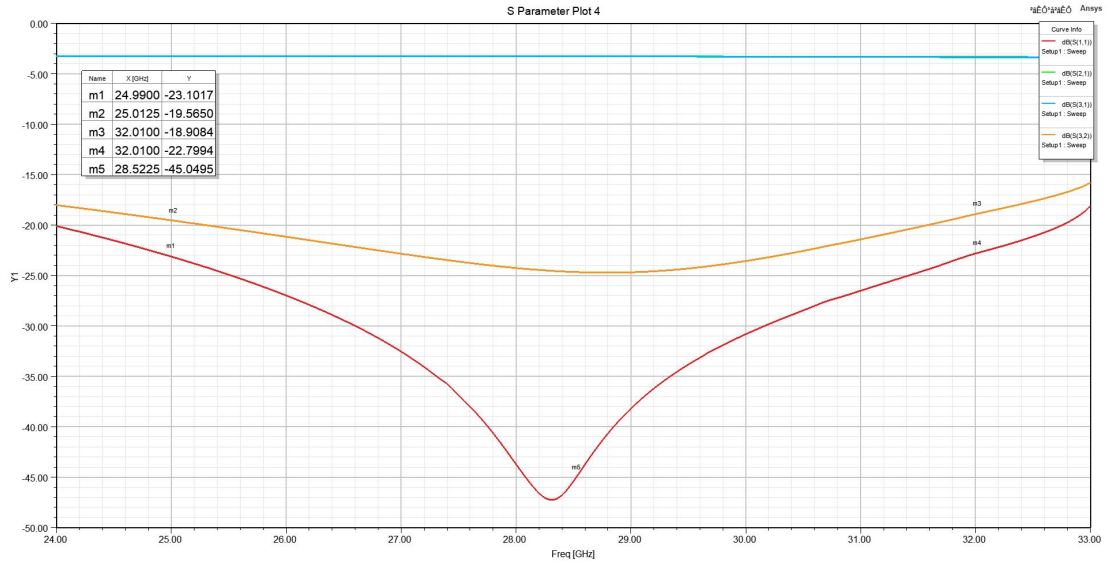
Parameter	Specification
Frequency Range	25GHz~32GHz
VSWR	≤2.0
Insertion Loss	≤3.8dB
In-Band Flatness	≤0.25dB
Isolation	≥15dB
Phase Balance	≤±5°
Amplitude Balance	≤±0.7 dB
Package Size	2.4*2.1*0.26mm

Yantel Corporation

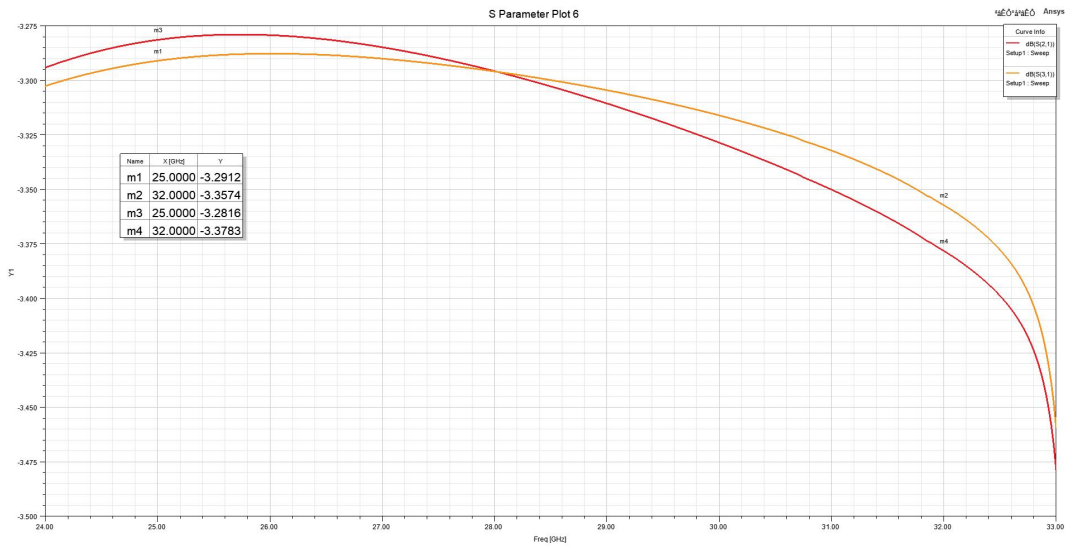
Add: No.308-322,3F,Building 1,Juchuang Jingu Innovation Park,Wenyuan Road 35,Xili Street,Nanshan,Shenzhen,China
Tel: 86-755-8355-1886 Fax: 86-755-8355-2533

For detailed performance specs & shopping online see Yantel web site : www.yantel-corp.com

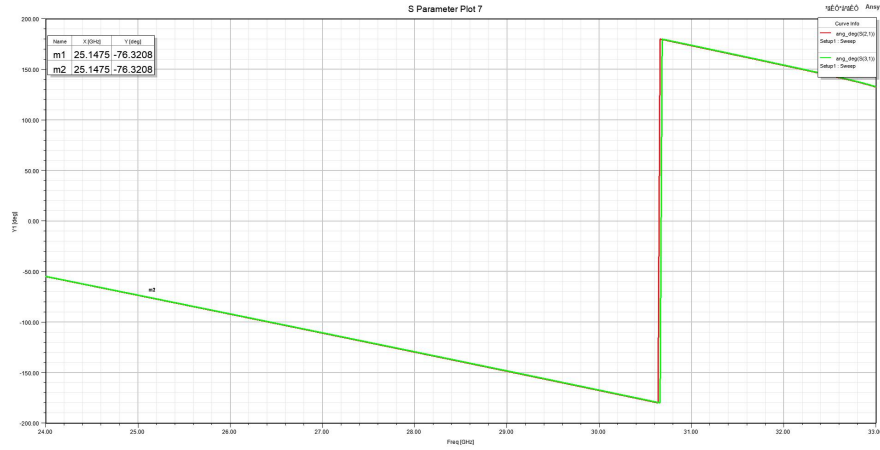
Typical Measured Performance



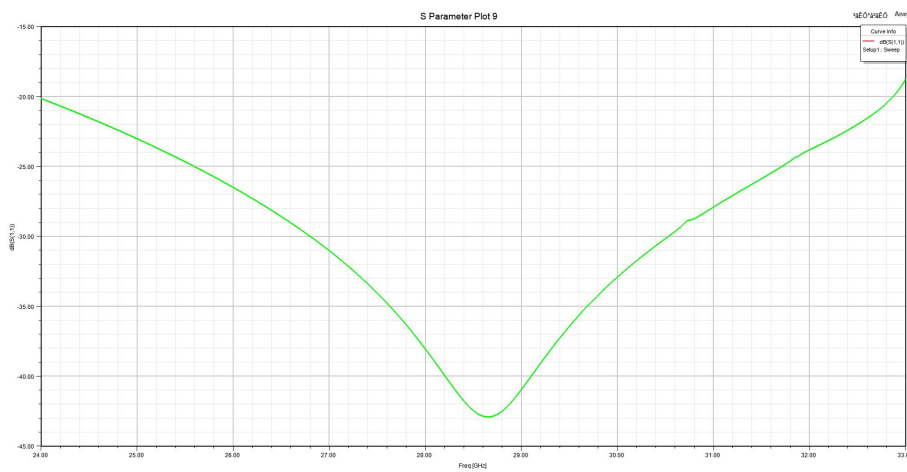
Insertion Loss



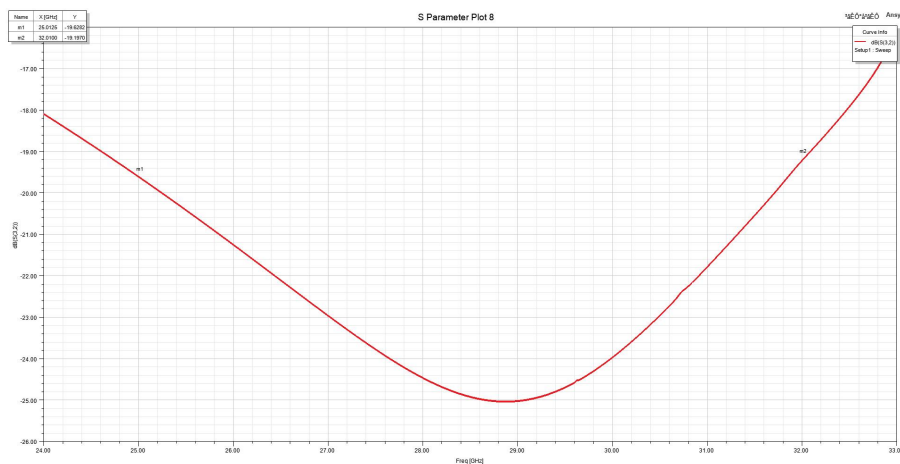
Phase Balance



Return Loss



Isolation

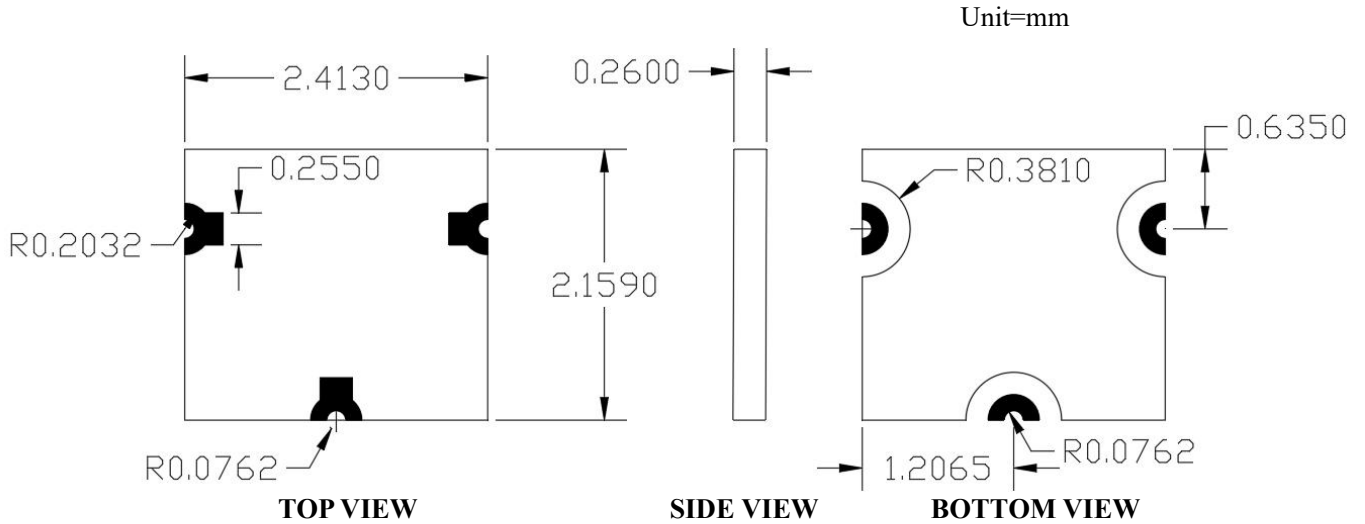
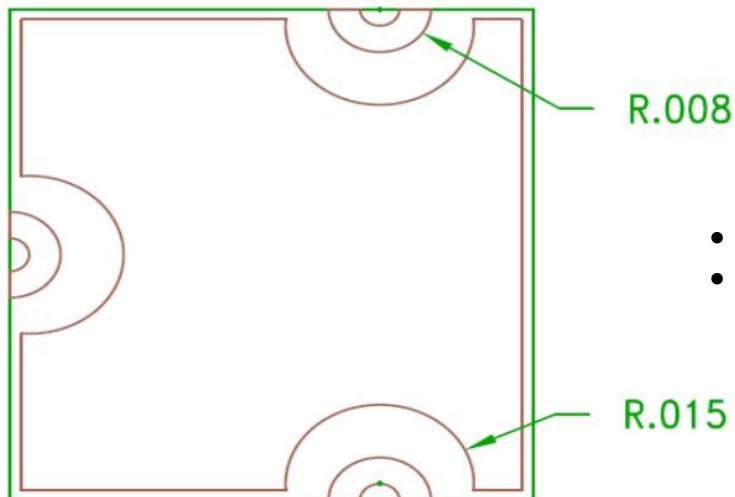


Yantel Corporation

Add: No.308-322,3F,Building 1,Juchuang Jingu Innovation Park,Wenyuan Road 35,Xili Street,Nanshan,Shenzhen,China

Tel: 86-755-8355-1886 Fax: 86-755-8355-2533

For detailed performance specs & shopping online see Yantel web site : www.yantel-corp.com

Mechanical Outline

Recommended PCB Layout


- 50Ω trace dimensions are application specific.
- Ensure adequate grounding beneath the part.

Yantel Corporation

Add: No.308-322,3F,Building 1,Juchuang Jingu Innovation Park,Wenyuan Road 35,Xili Street,Nanshan,Shenzhen,China

Tel: 86-755-8355-1886 Fax: 86-755-8355-2533

For detailed performance specs & shopping online see Yantel web site : www.yantel-corp.com