

### Description

Yantel's surface mount catalog bandpass filters utilize Yantel's low loss temperature stable materials which offer small size and minimal performance variation over temperature. The catalog BPF's are offered in a variety of frequency bands, which offers a drop in solution with highly repeatable performance.

### Features

- Small Size
- Fully Shielded Component
- Solder Surface Mount Package
- Moisture Sensitivity Level: MSL1
- Frequency Stable over Temperature
- Operating & Storage Temp: -55°C to +125°C
- Characteristic Impedance: 50Ω

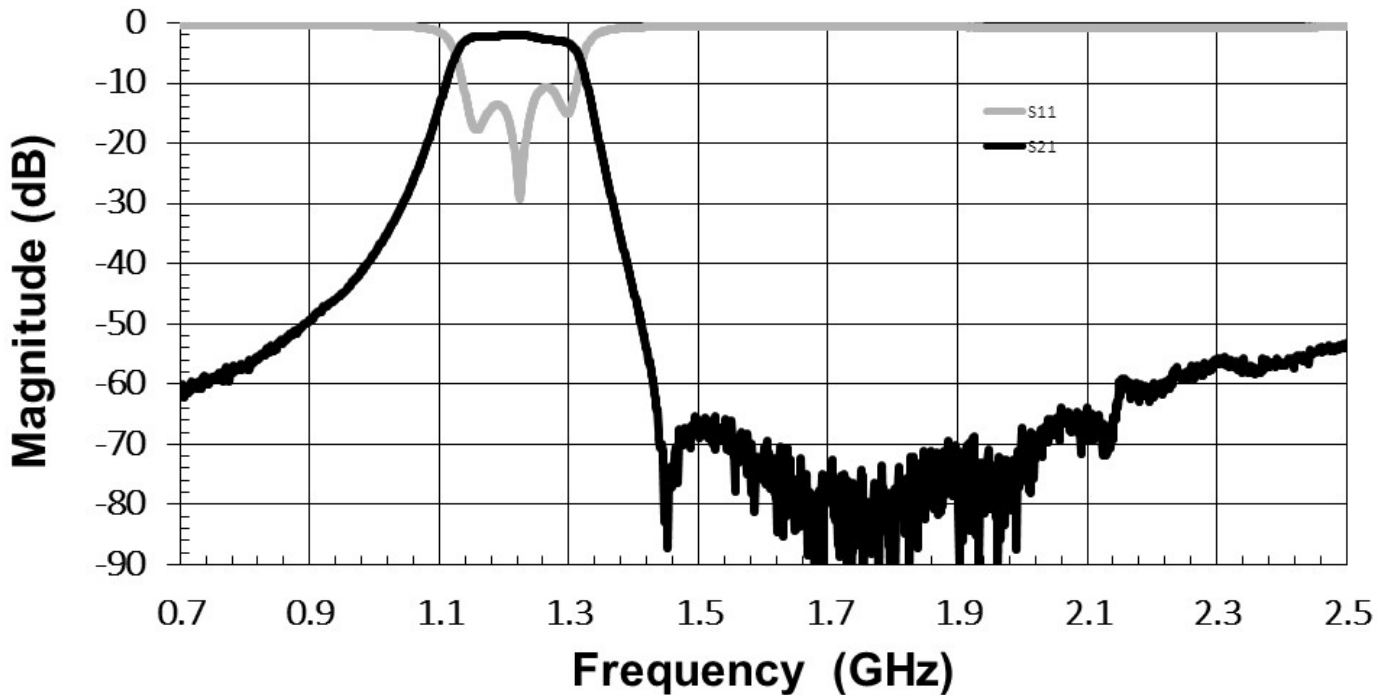
### Specifications\*

Parameter	Frequency Range (GHz)	Min	Typ.	Max
Insertion Loss (dB)	1.220 - 1.234		2.5	3.5
Return Loss (dB)		10.0		
Low Side Rejection (dB)	DC - 0.925	40.0	45.0	
High Side Rejection (dB)	1.45 - 2.5	40.0	50.0	
CW Input Power** (W)				5
$\theta_{jc} \left( \frac{^{\circ}\text{C}}{\text{W}} \right)$	15			
Size (L x W x H)	11.68 x 11.68 x 2.87 mm			

\*Electrical specifications based on typical probed performance at room temperature. Insertion loss shall vary  $\pm 0.5\text{dB}$  over temperature.

\*\*Power rating assumes the component will be mounted to a PCB with good thermally conducting ground vias as outlined in the recommended PCB layout that are connected to an adequate heat sink. Max power is based on 125°C base temperature.

### Typical Measured Performance



\*Typical de-embedded measured performance mounted on a connectorized test fixture. DEB is 0.254mm RO4350B with 50.00hm CPW ground traces going into the ports at room temperature

### Yantel Corporation

Add: No.308-322,3F,Building 1,Juchuang Jingu Innovation Park,Wenyuan Road 35,Xili Street,Nanshan,Shenzhen,China

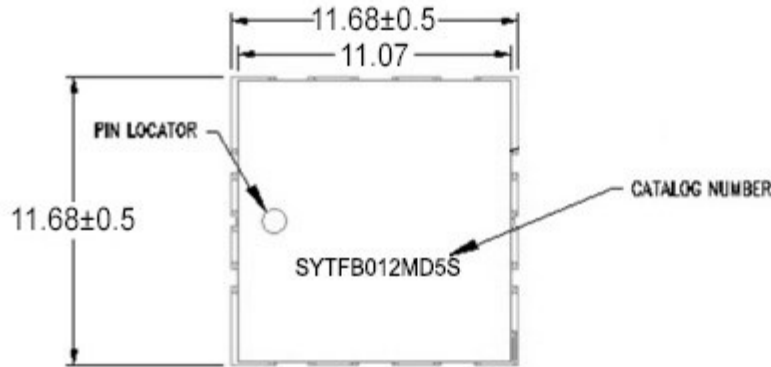
Tel: 86-755-8355-1886 Fax: 86-755-8355-2533

For detailed performance specs & shopping online see Yantel web site : [www.yantel-corp.com](http://www.yantel-corp.com)

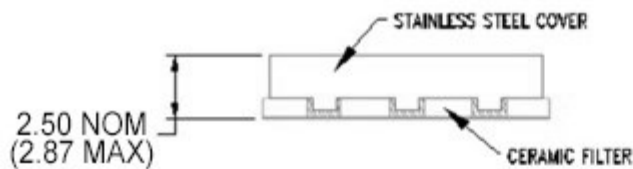
### Physical Dimensions

Units = mm

#### Top View



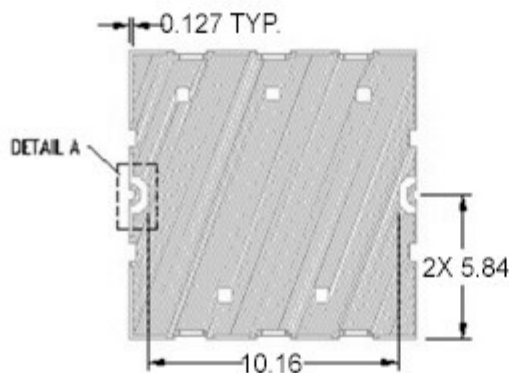
#### Side View



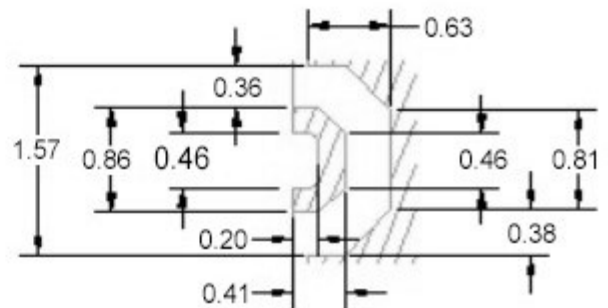
#### End View



#### Bottom View



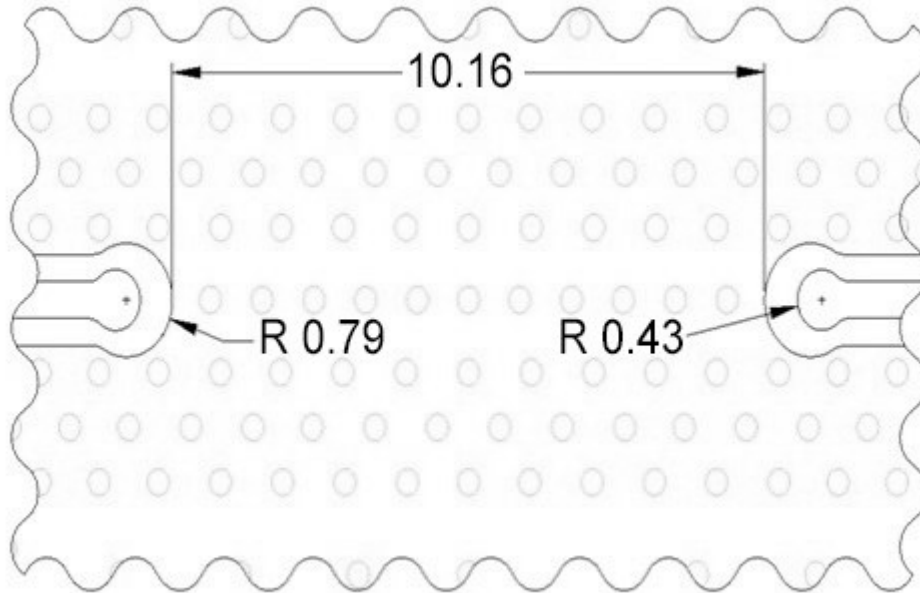
#### DETAIL A (2 PLACES)



#### Notes :

1. Termination Finish:  
ENIG: 76-152  $\mu\text{m}$  Au over 1270  $\mu\text{m}$  Ni
2. Maximum Assembly Process Temperature: 250°C
3. Dimension tolerance:  $\pm 0.05$

## Recommended PCB Layout



### Notes :

- 50Ω trace dimensions are application specific.
- Ensure adequate grounding beneath the part.

Unit = mm