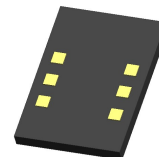


Equalizer

- ◆ 1.3GHz to 2.3GHz
- ◆ Input Power:1W
- ◆ Equilibrium Value:3.3dB
- ◆ Impedence:50Ω



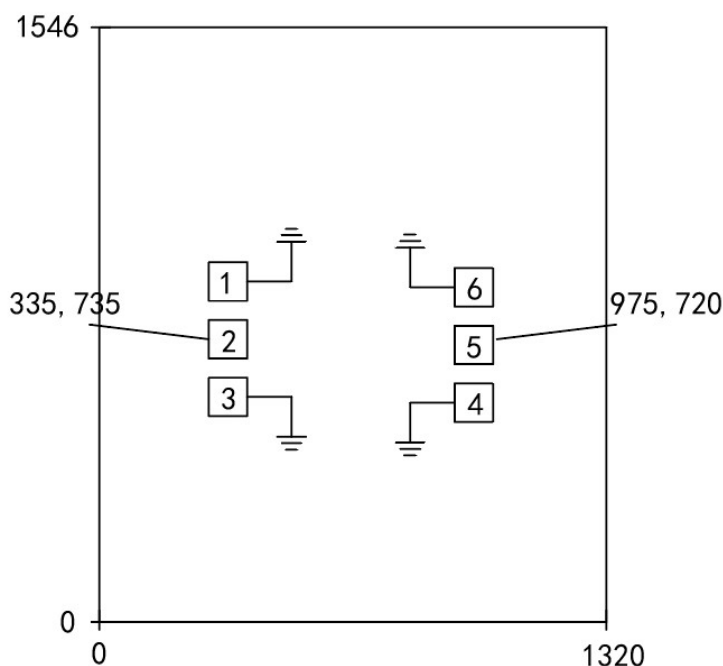
Features

- Adopting advance GaAs technology
- Low VSWR
- Wide Equilibrium
- Die Package

Specification

Freq. Range:	1.3GHz to 2.3GHz
Impedence:	50Ω
Input Power:	1W
Insertion Loss:	0.75dB@2.3GHz
In/Outinput VSWR:	1.2/1.2
Size:	1.32x1.546x0.1mm
Operating Temperature:	-55 °C to 125 °C

Outlines Dimension



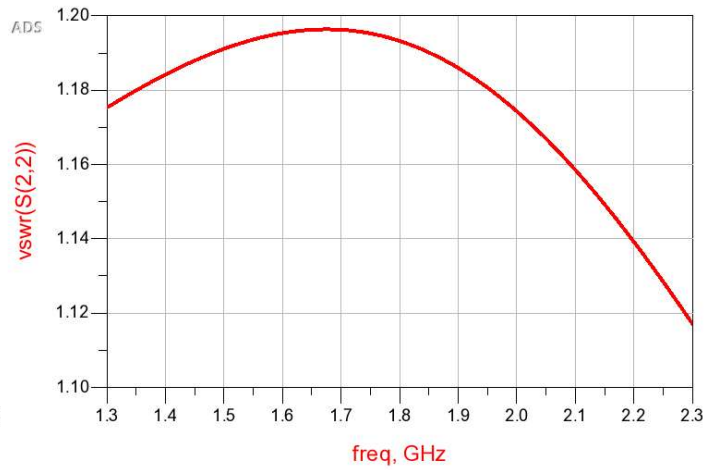
Paramter	Value(μm)
Thickness	100
Width	1320
Length	1546
Electrode Size	100x100

Test Curve (Die on the prode platform)

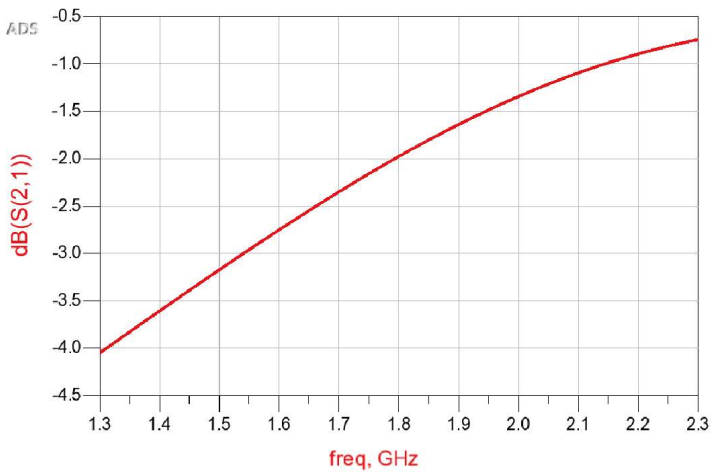
vswr(S(1,1))



vswr(S(2,2))



dB(S(2,1))

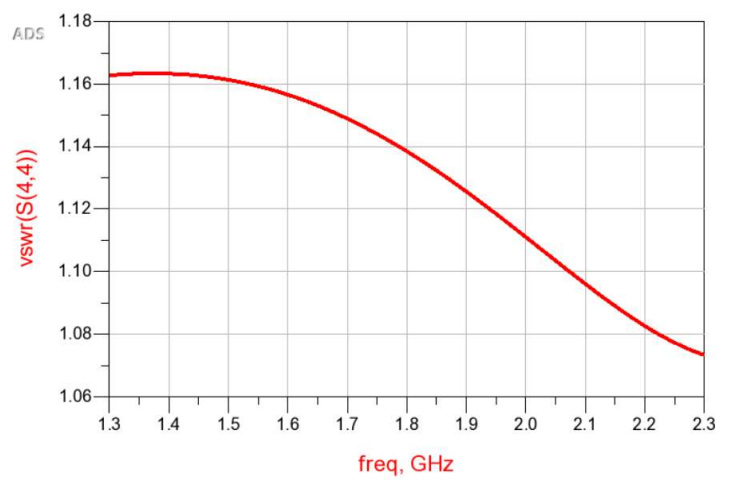


Test curve result (add 300um double wire-bonding)

vswr(S(1,1))



vswr(S(2,2))



dB(S(2,1))

