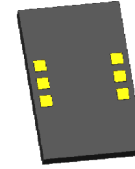


### Equalizer

- ◆ 2GHz to 12GHz
- ◆ Input Power:1W
- ◆ Equilibrium Value:4dB
- ◆ Impedence:50Ω



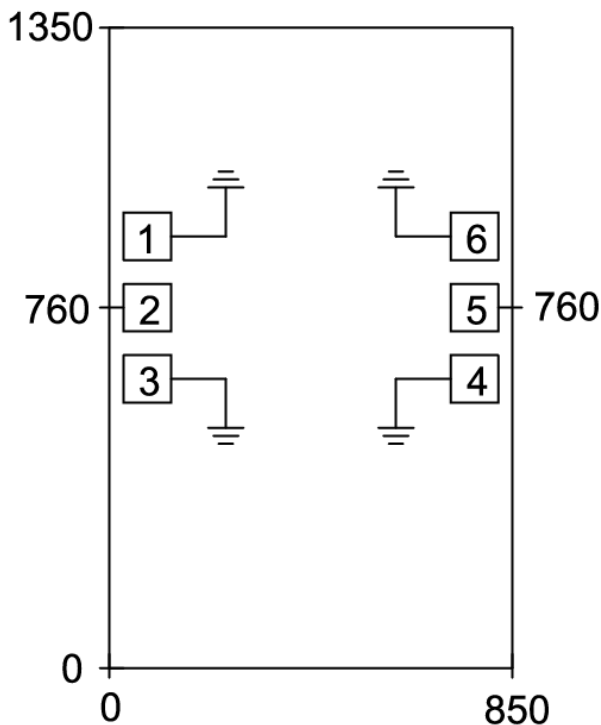
### Features

- Adopting advance GaAs technology
- Low VSWR
- Wide Equilibrium
- Die Package

### Specification

Freq. Range:	2GHz to 12GHz
Impedence:	50Ω
Input Power:	1W
Insertion Loss:	0.5dB@12GHz
In/Outinput VSWR:	1.3/1.3
Size:	0.85x1.35x0.1mm
Operating Temperature:	-55 °C to 125 °C

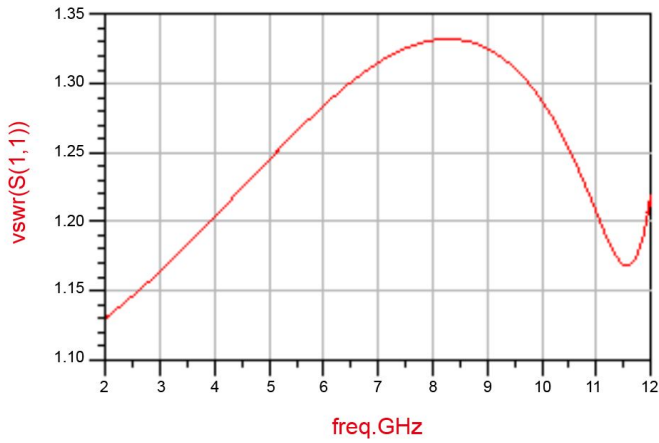
### Outlines Dimension



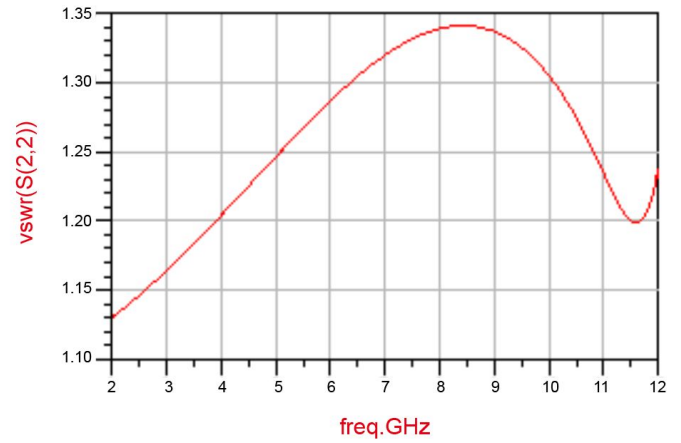
Paramter	Value(μm)
Thickness	100
Width	850
Length	1350
Electrode Size	100x100

### Test Curve (Die on the prode platform)

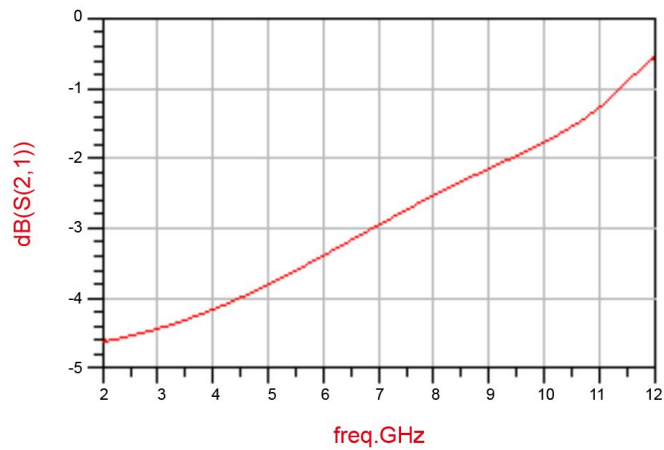
**vswr(S(1,1))**



**vswr(S(2,2))**



**dB(S(2,1))**



### Test curve result (add 300um double wire-bonding)

vswr(S(1,1))



vswr(S(2,2))



dB(S(2,1))

